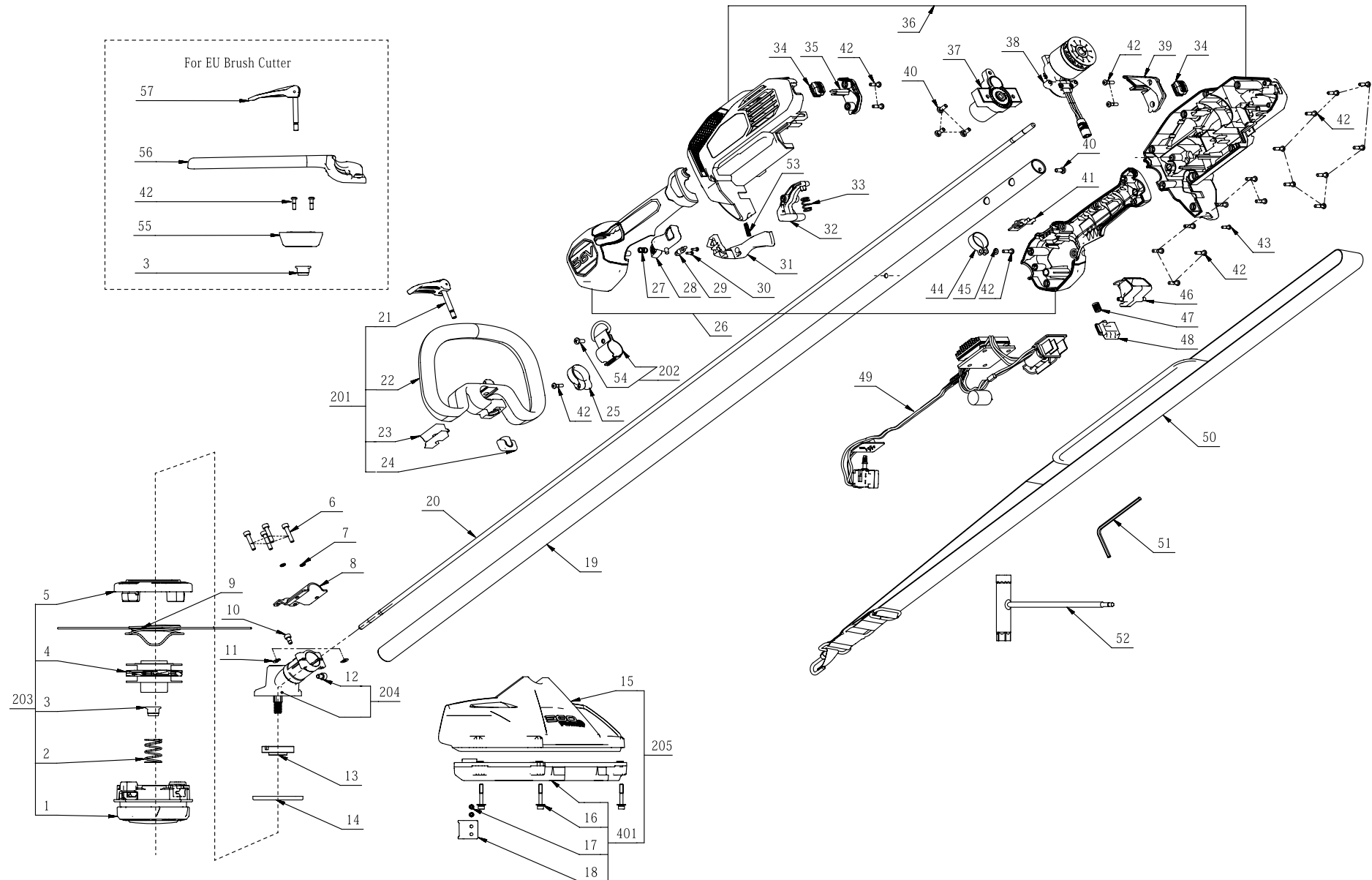




Product Description: String Trimmer  
Model Number: ST1530E  
Body Number: 0760070003\_S  
Version: A  
Issue Date: 2019/08/30





Repair Parts\_Dedicated Line Trimmer\_4808.1(ST1530E)

Index No.	Art. No.	Description	QTY in machine	Weight (g)	Size LxWxH (mm)	MPQ	Repairable or Not?	Standard Repair Time (min.)
1	2826637001	Lower Housing ASSY	1	210	Φ110x63.7	1	Y	5
2	3660582001	Compression Spring	1	7.5	Φ25x35	10	Y	3
3	5630292001	Nut	2	16	M10x1-FH	10	Y	3
4	2826376002	Spool Assembly	1	100	φ78x48	1	Y	5
5	3130090001	Upper Housing	1	57.5	Φ113.2x33	1	Y	11
6	5620216003	Hexagon Socket Screw	4	5	M5x25	10	Y	1
7	5650015012	Spring Washer	2	2	Φ8x1.2	10	Y	1
8	3705417001	Fixing Board	1	58.5	66x48x19	1	Y	3
9	3800122001	Trimmer Line	1	25	Ø2.4x4000	1	N	/
10	5620213003	Hexagon Socket Screw	1	3.4	M5x10	10	Y	1
11	5650598001	Washer	2	0.2	5.3x11x0.4	10	Y	1
12	5620546001	Hexagon Socket Screw	1	4.9	M6x8	10	Y	1
13	3552509001	Inner Flange	1	66	Φ44x13.5	1	Y	8
14	3706103001	Shield	1	39	Φ70x5.5	1	Y	8
15	2824703001	Guard ASSY	1	167	335x148x132	1	Y	5
16	5620548001	Screw with Washer	3	3	Φ9x35	10	Y	1
17	5610294001	Tapping Screw	2	1.3	ST4x16	10	Y	1
18	3706106001	Blade	1	9.4	28x20x12	1	Y	3
19	2825710002	Tube Assembly	1	579.5	Φ25x1490	1	Y	31
20	3552666001	Shaft	1	455.5	φ7x1535.5	1	Y	15
21	2824142003	Handle Lever Set	1	22	73*63*26	1	Y	3
22	3127657001	Front Handle	1	200	231.5x68x144	1	Y	11
23	3127651001	Clamping Block	1	1.5	37x21x20.5	1	Y	4
24	3400010003	Wing Nut	1	11	32x21x8	10	Y	2
25	3128598001	Retaining Ring	1	6	31x11.5x40	1	Y	5
26	2824786002	L R Handle Set	1	170	263.2x66.6x95	1	Y	11
27	3660235001	Spring	1	2	7.9x10.5	10	Y	1
28	3128577001	Lock-off Trigger	1	9	59.3x31.5x23	1	Y	11
29	3126865001	Clamp Block	1	0.7	23x11x6	1	Y	11
30	5610011006	Tapping Screw	2	0.6	φ5.5x12.5	10	Y	1
31	3128578002	Switch Trigger	1	17	98.6x59x28	1	Y	11
32	3128266001	Lever	1	16	52x51x34	1	Y	11
33	3660614001	Compression Spring	1	3	12.2x12.2x19.8	10	Y	1
34	3127738001	Rubber Gasket	2	4.54	21x16.5x13.6	1	Y	11
35	3128566001	Left Rear Cover	1	13	67x36.5x45.8	1	Y	11
36	2824785001	L R Housing Set	1	640	255x172x90	1	Y	15
37	2824761002	Gear Case ASSY	1	72	76.1x69.6x54.2	1	Y	21
38	2824757004	Motor & Gear ASSY	1	405	83.5x103x145	1	Y	21
39	3128567001	Right Rear Cover	1	13	67x36.5x45.8	1	Y	7
40	5620050007	Screw	4	4	M5x12	10	Y	1
41	3128276001	Speed Change Button	1	3	41x18x13	1	Y	11
42	5620479001	Screw	23	4	ST4.2x16	10	Y	1
43	5610305001	Tapping Screw	1	3	ST3.5x13	10	Y	1
44	3705178001	Fixed Ring	1	5	27x9.9x35.8	10	Y	11
45	5650005001	Plain Washer	1	2	φ4.3xφ9x0.8	10	Y	1
46	3127201001	Release Button	1	17	52x42x36	1	Y	5
47	3660013003	Spring1	1	1	9.9x9.9x25	10	Y	1
48	3127202001	Power Pack Button	1	4.7	37.5x31.5x13	1	Y	5
49	2830215002	Electric Assembly	1	85	120x150xmm	1	Y	21
50	3800111001	Harness	1	140	1.8M	1	Y	5
51	5680164001	Inner Hexagon Spanner	1	15.6	4(L95xH45)	1	Y	1
52	5680217001	Wrench	1	160	21x100x225	1	Y	1
53	3660075001	Spring	1	0.6	Φ5.5x18	10	Y	1
54	5620050001	Screw	1	4	M5x12	10	Y	1
55	3421864001	Outer Flange	1	80	Φ60x22	1	Y	1
56	3128672001	Front Handle Cover	1	65	244x34.6x91	1	Y	3
57	2825135002	Handle Lever Set	1	30	71.5x20x68.2	1	Y	2
201	2824020001	Handle ASSY	1	240	232x144x68	1	Y	5
202	2823319001	Hook Set	1	33	26x71.7	1	Y	3
203	2826673001	Cutting Head Set	1	393	Φ113.2x68.6	1	N	/
204	2824954002	Gear Case ASSY	1	348.8	109x96x66	1	Y	15
205	2824957002	Guard ASSY	1	282	335x147x136	1	Y	8
401	2824586002	Lower Guard ASSY	1	85	315x105x39.3	1	Y	5