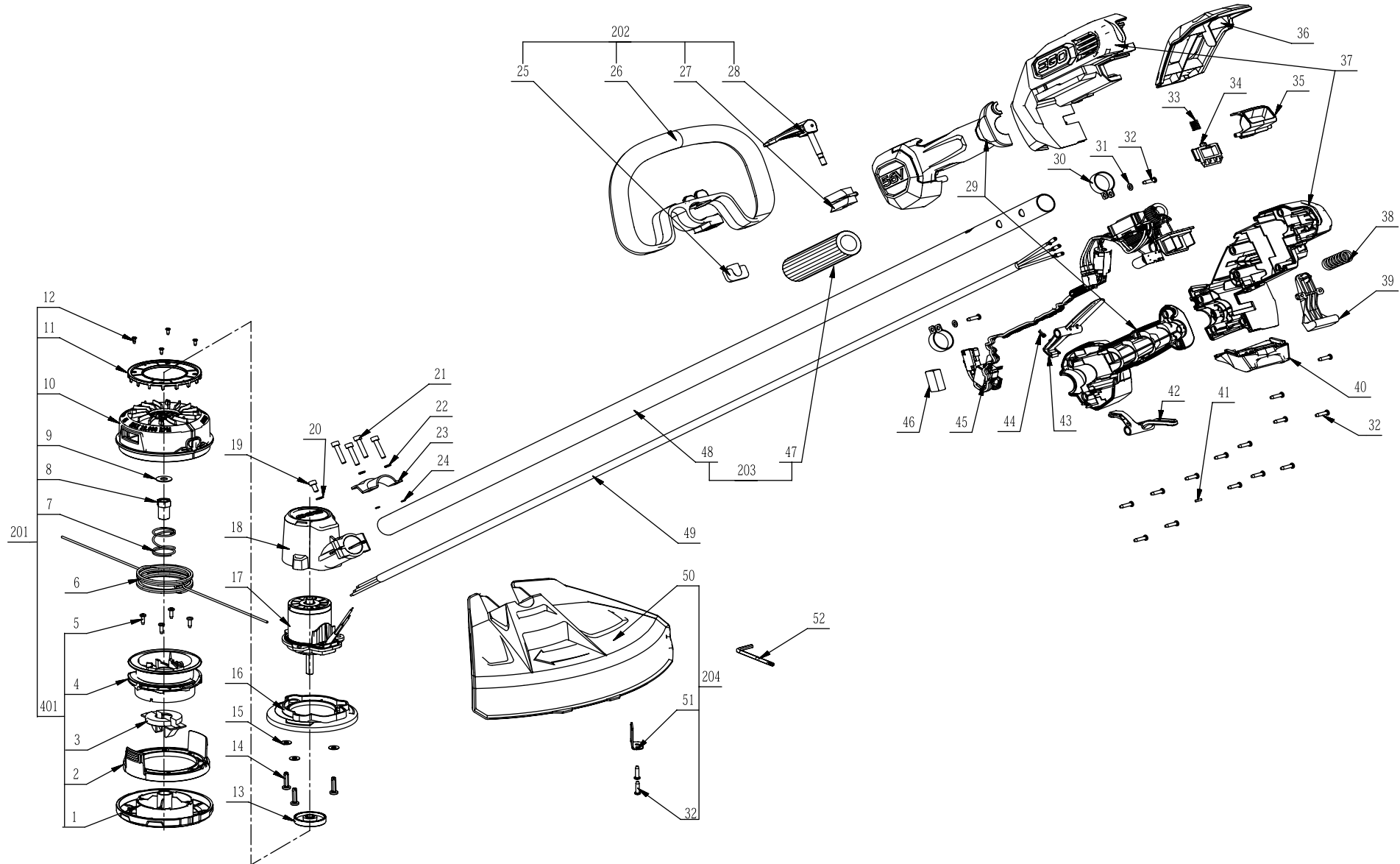




Product Description: String Trimmer
Model Number: ST1500E-F
Body Number: 0760056003_S
Version: A
Issue Date: 2016/10/24





Repair Parts_38cm Line Trimmer_4806.1(ST1500E-F A)

| Index No. | Art. No. | Description | QTY in machine | Weight (g) | Size LxWxH (mm) | MPQ | Repairable or Not? | Standard Repair Time (min.) |
|-----------|------------|---------------------------|----------------|------------|-----------------|-----|--------------------|-----------------------------|
| 1 | 3128667001 | Support Head | 1 | 62.1 | Φ132.1x25.9 | 1 | Y | 1 |
| 2 | 3128668001 | Lower Housing | 1 | 30 | Φ132.8x37.34 | 1 | Y | 1 |
| 3 | 3128671001 | Slot Cover | 1 | 7.7 | 65x43x26.5 | 1 | Y | 1 |
| 4 | 2824912001 | Mounting Wire Holder ASSY | 1 | 72.1 | Φ85.2x47 | 1 | Y | 1 |
| 5 | 5610022001 | Tapping Screw | 4 | 1.4 | Φ6.9x14.5 | 10 | Y | 1 |
| 6 | 3800122001 | Trimmer Line | 1 | 25 | Φ2.4x5000 | 1 | N | / |
| 7 | 3660650001 | Compression Spring | 1 | 6.4 | Φ26x31 | 10 | Y | 1 |
| 8 | 5630301001 | Nut | 1 | 18 | Φ16x25.4 | 10 | Y | 1 |
| 9 | 5650573001 | Plain Washer | 1 | 1.8 | Φ18.5x1 | 10 | Y | 1 |
| 10 | 2824809001 | Upper Housing ASSY | 1 | 121.6 | Φ113x55.6 | 1 | Y | 1 |
| 11 | 3128193001 | Support Plate | 1 | 12.3 | Φ85.5x9.5 | 1 | Y | 1 |
| 12 | 5610076004 | Tapping Screw | 4 | 0.487 | Φ5.3x7.9 | 10 | Y | 1 |
| 13 | 3520800001 | Outer Flange | 1 | 36 | Φ37x8.2 | 1 | Y | 5 |
| 14 | 5610059007 | Thread Forming Screw | 3 | 6.8 | Φ8.9x25 | 10 | Y | 1 |
| 15 | 5650396003 | Washer | 3 | 1 | Φ12x1 | 10 | Y | 1 |
| 16 | 3127655001 | Shield | 1 | 25.4 | Φ105x18 | 1 | Y | 5 |
| 17 | 2730220001 | DC Motor | 1 | 520 | 109x82x72 | 1 | Y | 30 |
| 18 | 3421602001 | Motor Housing | 1 | 146.5 | 125x67x72 | 1 | Y | 25 |
| 19 | 5620213003 | Hexagon Socket Screw | 1 | 5 | Φ8.9x15 | 10 | Y | 1 |
| 20 | 5650014003 | Plain Washer | 1 | 1 | Φ8.9x1 | 10 | Y | 1 |
| 21 | 5620216003 | Screw | 4 | 6.8 | Φ8.9x130 | 10 | Y | 1 |
| 22 | 5650015012 | Spring Washer | 2 | 1.8 | Φ7.8x1.3 | 10 | Y | 1 |
| 23 | 3705712001 | Fixing Board | 1 | 30 | 48x40x25 | 1 | Y | 3 |
| 24 | 5690203001 | O Ring | 2 | 3.086E-05 | Φ5.6x1.3 | 10 | Y | 1 |
| 25 | 3400010003 | Wing Nut | 1 | 9.5 | 32x21x14 | 10 | Y | 1 |
| 26 | 3127657001 | Front Handle | 1 | 171 | 231.5x68x144 | 1 | Y | 3 |
| 27 | 3127651001 | Press Block | 1 | 4.5 | 37x21x20.5 | 1 | Y | 2 |
| 28 | 2824142003 | Handle Lever Set | 1 | 22 | 72.3x26x62.3 | 1 | Y | 2 |
| 29 | 2824018001 | Handle ASSY | 1 | 188 | 257x84x65 | 1 | Y | 3 |
| 30 | 3705178001 | Fixed Ring | 2 | 5 | 27x10x36 | 10 | Y | 15 |
| 31 | 5650005002 | Plain Washer | 2 | 1 | Φ8.9x1 | 10 | Y | 1 |
| 32 | 5610294001 | Tapping Screw | 18 | 3.2 | Φ8.9x20 | 10 | Y | 1 |
| 33 | 3660013003 | Spring1 | 1 | 1 | Φ9.9x12 | 10 | Y | 5 |
| 34 | 3127202001 | Power Pack Button | 1 | 7.7 | 37.5x31.5x13 | 1 | Y | 5 |
| 35 | 3127201001 | Release Button | 1 | 17.7 | 53x42x36 | 1 | Y | 5 |
| 36 | 3127650001 | Cover | 1 | 65 | 185x80x45 | 1 | Y | 5 |
| 37 | 2824012001 | Rear Housing | 1 | 446 | 272x138x100 | 1 | Y | 5 |
| 38 | 3660129002 | Spring | 1 | 10 | Φ18x43 | 10 | Y | 5 |
| 39 | 3127206001 | Lever | 1 | 20 | 75x37x29 | 1 | Y | 5 |
| 40 | 3127675002 | Support Leg | 1 | 33 | 81x70x35 | 1 | Y | 5 |
| 41 | 5670160001 | Pin | 1 | 1 | Φ7x8 | 10 | Y | 5 |
| 42 | 3127653001 | Switch Trigger | 1 | 10 | 96x36x38 | 1 | Y | 5 |
| 43 | 3127654001 | Lock-Off | 1 | 14.5 | 108x39x35 | 1 | Y | 5 |
| 44 | 3660030005 | Spring | 1 | 1 | Φ7x12 | 10 | Y | 5 |
| 45 | 2830204001 | Electric Assembly | 1 | 227 | 120x150x100 | 1 | Y | 20 |
| 46 | 3128391001 | Rubber Block | 1 | 5.9 | 28x16x10 | 1 | Y | 1 |
| 47 | 3705711001 | Sheath | 1 | 11.2 | Φ32x120 | 1 | Y | 1 |
| 48 | 3705819003 | Connecting Tube | 1 | 346 | Φ25x1477 | 1 | Y | 20 |
| 49 | 4860276001 | Internal Wire ASSY | 1 | 198 | Φ10x1550 | 1 | Y | 20 |
| 50 | 2824871001 | Guard ASSY | 1 | 183 | 324x168.5x121 | 1 | Y | 3 |
| 51 | 3704344001 | Blade | 1 | 14 | 30x31x14 | 1 | Y | 3 |
| 52 | 5680188001 | Inner Hexagon Spanner | 1 | 32.7 | 70x26x3 | 1 | Y | 1 |
| 201 | 2824848001 | Cutting Head Set | 1 | 364.548 | Φ113x71 | 1 | N | / |
| 202 | 2824020003 | Handle ASSY | 1 | 207 | 231.5x68x150.5 | 1 | Y | 3 |
| 203 | 2824657001 | Connecting Tube | 1 | 357.2 | Φ32x1477 | 1 | Y | 20 |
| 204 | 2824870002 | Guard ASSY | 1 | 203.4 | 324x168.5x121 | 1 | Y | 3 |
| 401 | 2824808001 | Lower Housing ASSY | 1 | 177.5 | Φ132.8x54 | 1 | Y | 3 |