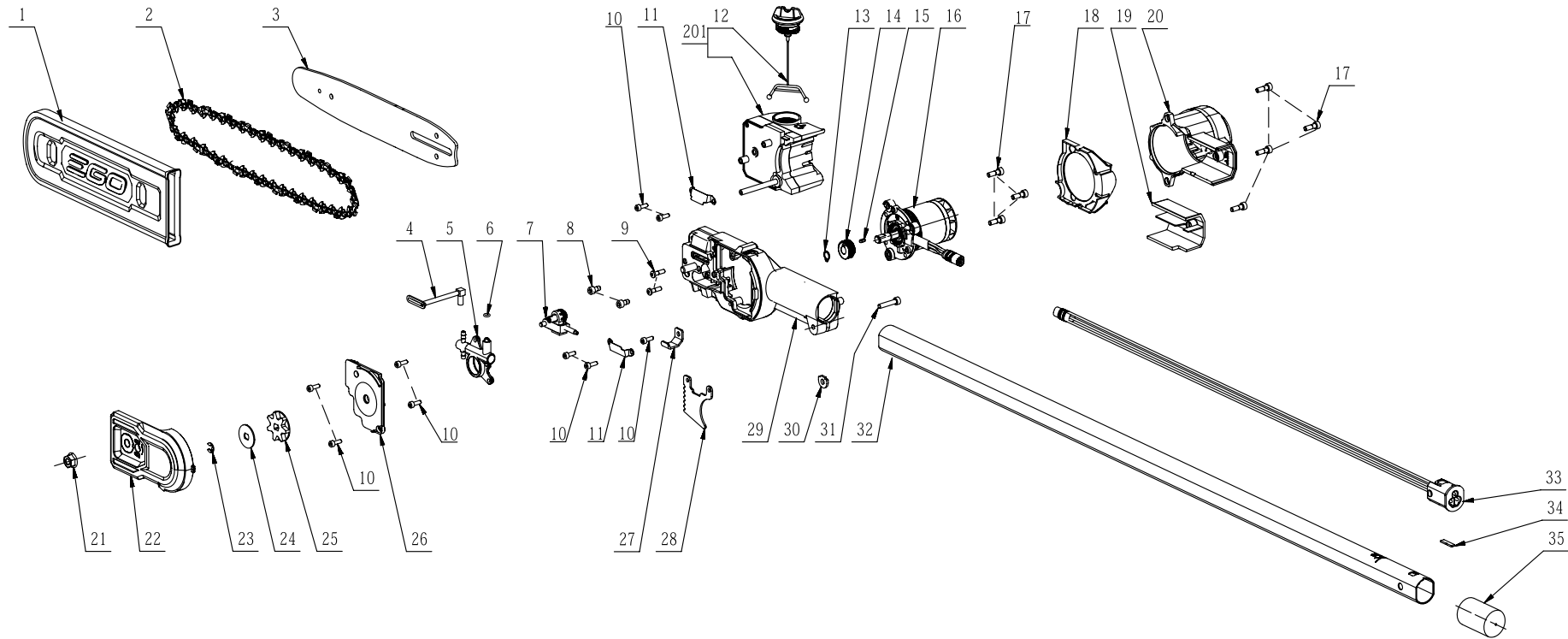




Product Description: Pole Saw Attachment  
Model Number: PSX2500  
Body Number: 0640013001\_S  
Version: A  
Issue Date: 2020/11/30





## Repair Parts\_Pole Saw\_4560(PSX2500)

Index No.	Art. No.	Description	QTY in machine	Weight (g)	Size LxWxH (mm)	MPQ	Repairable or Not?	Standard Repair Time (min.)
1	3128561001	Sheath	1	66	275x94x20	1	Y	1
2	3810771001	Chain	1	149.9	350x72.8x4.4	1	Y	5
3	3706017002	Guide	1	352	305x51x3.3	1	Y	4
4	3131326001	Outlet Tube	1	2.8	33x65x18	1	Y	10
5	2827231001	Pump Assembly	1	37	61x52x12	1	Y	10
6	5690018001	O Ring	1	0.1	5x1.8x1	10	Y	5
7	2828522001	Tension Nut Assembly	1	30	55x30x27	1	Y	5
8	5620213004	Hexagon Socket Screw	2	3.4	15x8.5x8.5	10	Y	1
9	5620479001	Screw	2	4	7x7x18	10	Y	1
10	5620011010	Hexagon Socket Screw	9	3	7x7x16	10	Y	1
11	3707340001	Protecting Cover Plate	2	2.2	48.5x12.5x9	10	Y	3
12	2827277002	Kettle Cover Assembly	1	15	111x43x37	1	Y	1
13	5660009001	Circlips For Shaft	1	0.3	14x11x0.8	10	Y	3
14	3570098001	Worm	1	3.2	21.35x21.35x9.4	10	Y	3
15	5680216001	Key	1	0.5	3x3x8	10	Y	3
16	2730334001	DC Motor	1	492	107.8x70x50	1	Y	6
17	5620019005	Hexagon Socket Screw	7	4.3	21x8.5x8.5	10	Y	1
18	3131189001	Cover Plate	1	15.3	76x82.4x26	1	Y	5
19	3131627001	Fan Baffle	1	17	43x36x64	1	Y	1
20	2827509002	Motor Housing Cover Assembly	1	132	124x91x81	1	Y	1
21	5630325001	Flange Nut	1	5.85	18x18x8	10	Y	1
22	2827508002	Cover Plate Assembly	1	81	137x75x20	1	Y	1
23	5660139001	E Ring	1	0.4	6x6x1	10	Y	1
24	5660310001	Chain Wheel Gasket	1	6.6	28x28x1.5	10	Y	1
25	3570084001	Chain Wheel	1	31.6	36x36x6.3	10	Y	1
26	2827818002	Cover Plate Assembly	1	24	74x67x14	1	Y	3
27	3707457001	Chip Shield	1	2.6	13x18.5x23	10	Y	1
28	3707530001	Flash Board	1	22	52x52.1x2	10	Y	1
29	2827816002	Support Assembly	1	199.1	238x91x47	1	Y	10
30	3705464001	Limit Chute	1	2.8	6.4x15.4x2.5	1	Y	1
31	5620550001	Hexagon Socket Screw	1	6.5	30x8.5x8.5	1	Y	1
32	3707459001	Connecting Tube	1	306.8	27.5x31.5x1008	10	Y	5
33	4860826001	Internal Wire Assembly	1	97.5	105x32x32	1	Y	5
34	3680302001	Speed Magnetic Shoe	1	1.6	20x5.2x2	10	Y	2
35	3131611001	Sleeve	1	11.2	32x32x53	1	Y	1
201	2827292002	Kettle Assembly	1	126.1	89x88x68	1	Y	5