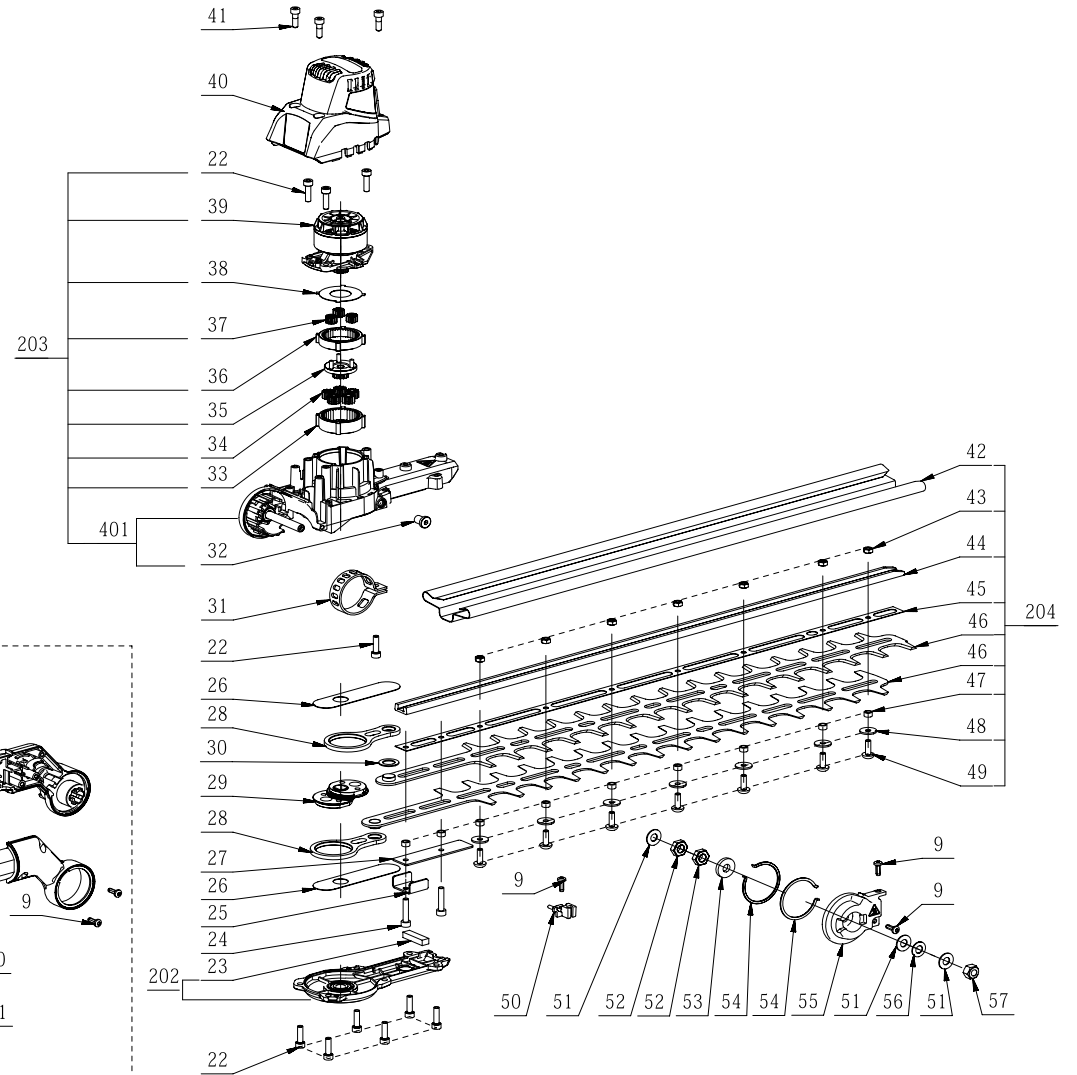
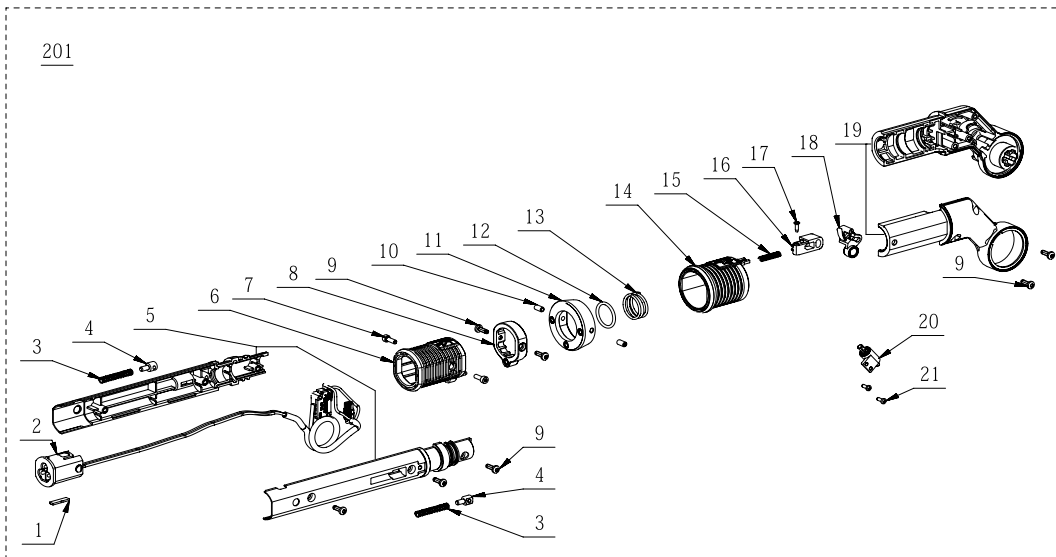




Product Description: Pole Hedge Trimmer Attachment
Model Number: PTX5100
Body Number: 0760102001_S
Version: A
Issue Date: 2020/11/30





Repair Parts_Pole Hedge Trimmer_4223(PTX5100)

Index No.	Art. No.	Description	QTY in machine	Weight (g)	Size LxWxH (mm)	MPQ	Repairable or Not?	Standard Repair Time (min.)
1	3680302001	Speed Magnetic Shoe	1	1.6	20x5.2x2	10	Y	10
2	4870782001	Switch Assembly	1	64	600x25x20	1	Y	10
3	3660757001	Compression Spring	2	1	6x6x38	10	Y	2
4	5630381001	Lead Screw Nut	2	4.2	9x9x17	10	Y	2
5	3900366002	Rotating Bracket Assembly	1	122	31x31x251	1	Y	10
6	3403195001	Handle Sleeve	1	26.9	45x45x73	1	Y	1
7	5620011007	Hexagon Socket Screw	2	3	7x7x16	10	Y	1
8	2827616002	Fixing Block Assembly	1	9	37x47x10	1	Y	2
9	5610237001	Tapping Screw	10	1.9	7x7x14	10	Y	2
10	5620694001	Set Screw	2	1.3	5x5x10	10	Y	1
11	2827617002	Lock Ring Assembly	1	30	52x52x16	1	Y	3
12	5690011001	O Ring	1	0.5	27x27x2	10	Y	8
13	3660473002	Compression Spring	1	5	26x26x14	1	Y	8
14	3131360001	Handle Sleeve	1	28.8	49x61x49	1	Y	5
15	3660427001	Spring	1	1	5.5x5.5x24	10	Y	8
16	3131357001	Sliding Block	1	3.9	32x13x13	10	Y	8
17	5610077002	Tapping Screw	1	0.5	5x5x10	10	Y	8
18	3131375001	Rotating Block	1	3	33.5x19.5x19	1	Y	8
19	3900367001	Rotating Cover Assembly	1	200	164x88x54	1	Y	8
20	2827560002	Lock Assembly	1	18.7	52.9x19x20	1	Y	8
21	5610251001	Thread Forming Screw	2	0.5	5x5x10	10	Y	8
22	5620446005	Hexagon Socket Screw	10	4.1	8.5x8.5x18	10	Y	3
23	3706201001	Sponge Pad	1	0.1	28x8x6	10	Y	3
24	5620216005	Hexagon Socket Screw	2	5	8.7x8.7x25	10	Y	3
25	3706098001	Upper Support Plate	1	12	26.2x22x12	10	Y	3
26	3700736001	Support Plate	2	8.2	98.5x25x0.5	10	Y	3
27	3705991001	Support Plate	1	20	82x21x1.5	10	Y	3
28	3706165001	Link	2	32.5	82x44x4	10	Y	5
29	3553504001	Eccentric Block	1	71.8	56x39x15	1	Y	5
30	3700335001	Washer	1	1.3	19x19x1	10	Y	5
31	3707434001	Lock Ring	1	26.5	57x44x15.3	1	Y	8
32	5620606001	Hexagon Socket Screw	1	5	12x12x13	10	Y	1
33	3520963001	Ring Gear	1	38	46x46x12.5	10	Y	10
34	3570117001	Planet Gear	5	1.2	12.2x12.2x8	10	Y	10
35	2824927001	Sun Gear ASSY	1	26	30.5x30.5x20.7	10	Y	10
36	3520964001	Ring Gear	1	34	46x46x9	10	Y	10
37	3520965001	Planet Gear	3	2.85	11x11x8.5	10	Y	10
38	5650576001	Washer	1	3.5	46x46x0.5	10	Y	8
39	2790559002	Motor And Gear Assembly	1	238.5	148.7x59.4x56	1	Y	5
40	2827735001	Motor Housing Cover Assembly	1	74.5	119x71x88	1	Y	1
41	5620019004	Hexagon Socket Screw	3	4.32	5x5x16	10	Y	1
42	3128882001	Sheath	1	68	553x70.5x22.4	1	Y	1
43	5630007006	Prevailing Torque Hexagon Nut	7	1.05	8x9.3x4.4	10	Y	8
44	3552609001	Clamp Support	1	135	604x18x7.5	1	Y	8
45	3706193001	Support Plate	1	23.6	604x16.8x0.5	1	Y	8
46	2827813001	Blade	2	255.3	62x632x6	1	Y	8
47	5650671001	Bush	9	0.8	7.7x7.7x4.4	10	Y	8
48	5650487001	Plain Washer	7	2.05	16x16x1.5	10	Y	8
49	5620604001	Hexagon Socket Screw	7	3	9.5x9.5x18	10	Y	8
50	3131408001	Fixing Block	1	3.2	27x13x15	10	Y	5
51	5650569001	Plain Washer	3	1.27	17x17x1	10	Y	8
52	3580106001	Bushing	2	5.5	15x15x5.5	10	Y	8
53	5690488001	Felt Ring	1	0.9	20.5x20.5x3.3	10	Y	8
54	5650760001	Anti-attrition Washer	2	2.5	45x45x4.5	10	Y	8
55	3422813001	Right Side Plate	1	28.6	69x54.5x18.3	1	Y	5
56	3660652001	Disc Spring	1	0.85	16x16x1.5	10	Y	8
57	5630271001	Nut	1	4.5	13x15x8.5	10	Y	1
201	2827504002	Connecting Lever Assembly	1	494.5	358x58x91	1	Y	8
202	2824873002	Lower Housing ASSY	1	67.3	158x70.2x14	1	Y	2
203	2790558002	Motor And Gear Case Assembly	1	696.5	124.4x232.5x73.7	1	Y	15
204	2827811002	Blade Set	1	779	650.6x63x18.2	1	Y	10
401	2790563002	Gear Case Assembly	1	313	232.5x78.2x73.8	1	Y	20