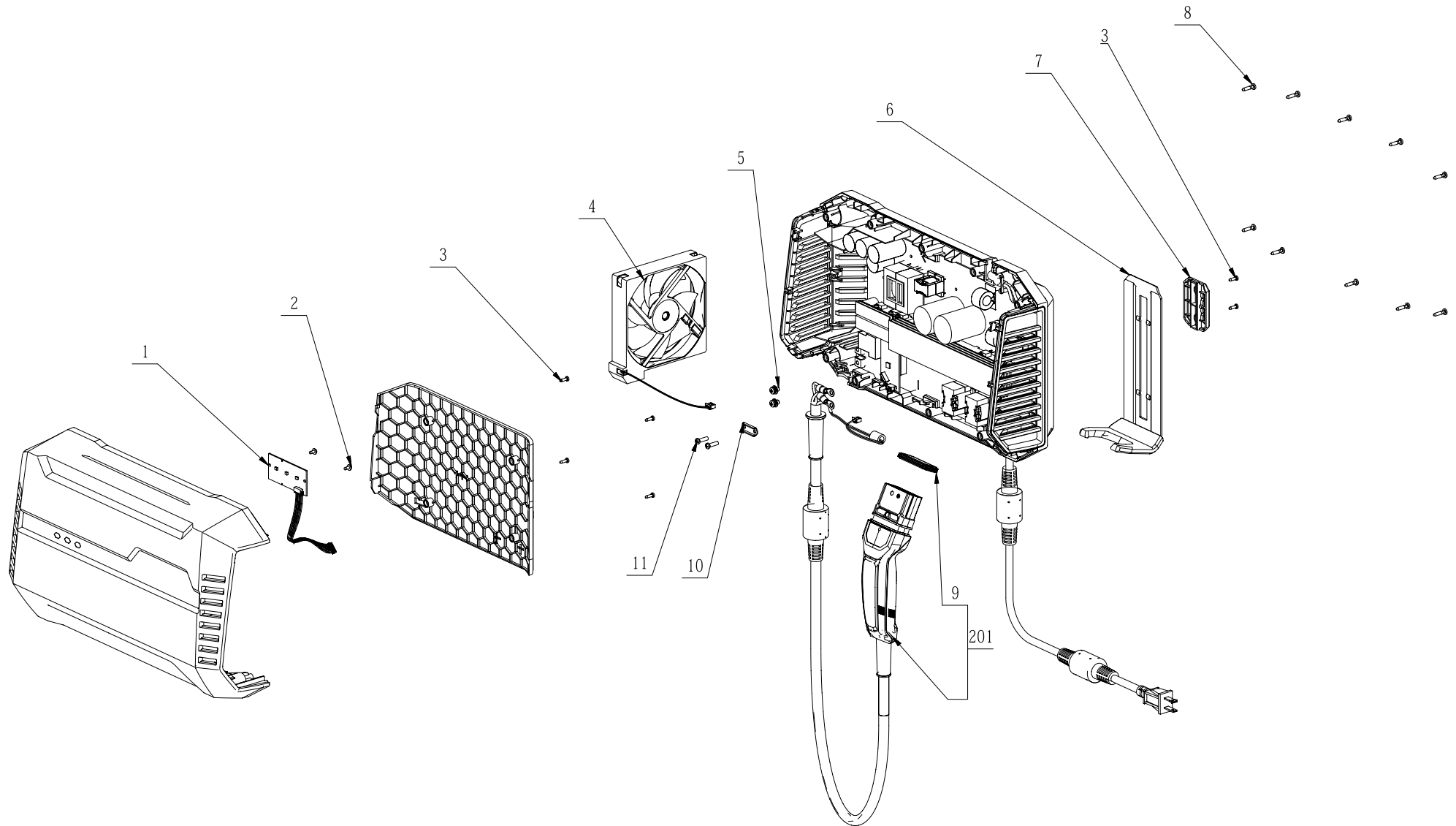




Product Description: Charger
Model Number: CHV1600E
Body Number: 0800259001_S
Version: A
Issue Date: 2021/12/2





Repair Parts_Zero Turn Riding Mower Charger_CHV1600E

Index No.	Art. No.	Description	QTY in machine	Weight (g)	Size LxWxH (mm)	MPQ	Repairable or Not?	Standard Repair
1	2830916001	5369 LED Electric Assembly	1	10	71×40×7	10	Y	4
2	5620357001	Screw	2	0.4	6.5×6.5×8	10	Y	0
3	5610011006	Tapping Screw	6	0.6	5.5×5.5×12.5	10	Y	0
4	3300020001	Fan Assembly	1	141	132×127×27	1	Y	3
5	5620618001	Screw with Washer	2	2.6	10×10×10	10	Y	0
6	3403191001	Pothook	1	191	202×85×71	1	Y	1
7	3131293001	Guide Block	1	11	42×60×8	1	Y	0
8	5610264002	Hexagon Lobular Screw	10	1.25	7×7×18	10	Y	0
9	5690356002	Seal Ring	1	2.5	55×24×6	10	Y	1
10	3707506001	Cord Anchorage	1	3.3	28×10×4	10	Y	0
11	5610031003	Thread Forming Screw	2	1.6	6×6×16	10	Y	0
201	4860790001	Output Wire Assembly	1	765	250×250×60	1	Y	4