

OPERATION MANUAL

INDUSTRIAL ENGINE

TNE

2TNE68

3TNE82

2TNE68-N

3TNE82A

3TNE66-N

3TNE84

3TNE68

3TNE84T

3TNE68-N

3TNE88

3TNE72-N

4TNE82

3TNE74

4TNE84

3TNE74-N

4TNE84T

3TNE78A

4TNE88

YANMAR

**California
Proposition 65 Warning**

Diesel engine exhaust and some of its constituents are known to the state of California to cause cancer, birth defects, and other reproductive harm.

Disclaimers:

All information, illustrations and specifications in this manual are based on the latest information available at the time of publishing. The illustrations used in this manual are intended as representative reference views only. Moreover, because of our continuous product improvement policy, we may modify information, illustrations and/or specifications to explain and/or exemplify a product, service or maintenance improvement. We reserve the right to make any change at any time without notice. YANMAR is a registered trademark of YANMAR POWER TECHNOLOGY CO., LTD. in Japan, the United States and/or other countries.

All Rights Reserved:

No part of this publication may be reproduced or used in any form by any means - graphic, electronic, or mechanical, including photocopying, recording, taping, or information storage and retrieval systems - without the written permission of YANMAR POWER TECHNOLOGY CO., LTD.

In case of exporting this product and providing the related technical material to non-residents in Japan or residents in overseas, it is required to comply with the export and trade control laws and regulations of Japan and other relevant countries. Please be careful to proceed with necessary procedure.

OPERATION MANUAL	MODEL	TNE Series
	CODE	0ATNE-M00022

ENGLISH

TNE-SERIES DIESEL ENGINE
OPERATION MANUAL

FRANÇAIS

MOTEUR DIESEL SERIE TNE
MODE D' EMPLOI

DEUTSCH

DIESELMOTOR DER SERIE TNE
BEDIENUNGSANLEITUNG

ESPAÑOL

MOTOR DIESEL SERIE TNE
MANUAL DE OPERACION

ITALIANO

MOTORE DIESEL SERIE TNE
MANUALE DI ISTRUZIONI

ENGLISH

TNE-SERIES DIESEL ENGINE

OPERATION MANUAL

YANMAR OPERATION MANUAL for TNE Series

Congratulations on your choice of YANMAR product from
YANMAR POWER TECHNOLOGY CO., LTD.

This Operation Manual tells you how to operate and service your new Yanmar TNE engine. Please read it before using the TNE engine to insure proper handling and operation. Follow the instructions carefully to keep your engine in the best running condition. If you have any question concerning this manual, please contact your nearest Yanmar dealer.

This Operation Manual deals with the main points for operation of the TNE engine. Pictures in this manual are based on 4TNE84 engine.

In order to insure safe working conditions, be sure to read the precatation statements for safe operation of the TNE engine.

Pay special attention to statements preceded by the following words:

 **WARNING:**

Indicates a strong possibility of severe personal injury or loss of life if instructions are not followed.

 **CAUTION:**

Indicates a possibility of personal injury or equipment damage if instructions are not followed.

Note:

Gives helpful information.

If a problem should arise, or if you have any questions about the engine, contact an authorized Yanmar dealer.

 **WARNING:**

The Yanmar TNE engine is designed to give safe and dependable service provided that it is operated according to instructions.

Read and understand the Operation Manual before operating the TNE engine. Failure to do so could result in personal injury or equipment damage.

TIPS ON SAFETY

TIPS ON SAFETY

WARNING:

1. PREVENTING FIRES

Never add fuel to the fuel tank while the engine is running. Wipe away all fuel spills with a clean cloth. Keep gasoline, kerosene, matches, other explosives and inflammables away from the engine, since the temperature around the exhaust muffler is very high during operation.

- To prevent fire hazards and to provide adequate ventilation, keep the engine at least 3 ft (1 m) away from the building and other equipment during operation.

2. PREVENTING EXHAUST GAS INHALATION

- Exhaust gas contains poisonous carbon monoxide.
- Never use the engine in poorly ventilated locations such as indoors or inside tunnels. If indoor operation is unavoidable, provide proper ventilation

3. PREVENTING BURNS

- Never touch the muffler, muffler cover or engine body while the engine is running or hot.

4. OTHER SAFETY TIPS

- Know how to stop the engine quickly and understand operation of all the controls. Never permit anyone to operate the engine without proper instructions.
- Always wear a suitable clothing when operating the engine.
- Do not operate under the influence of alcohol.
- Keep children and pets away from the engine when it is in operation.
- Keep away from rotating parts while the engine is running.
- When the engine is coupled with a machine, be sure to provide suitable covers for the belt, coupling and other dangerous parts.
- Work according to the rules and regulations of work area. When working with others, be sure to maintain good communication with everyone else.
- Use correct tools and equipment.

5. WHEN CHARGING THE BATTERY

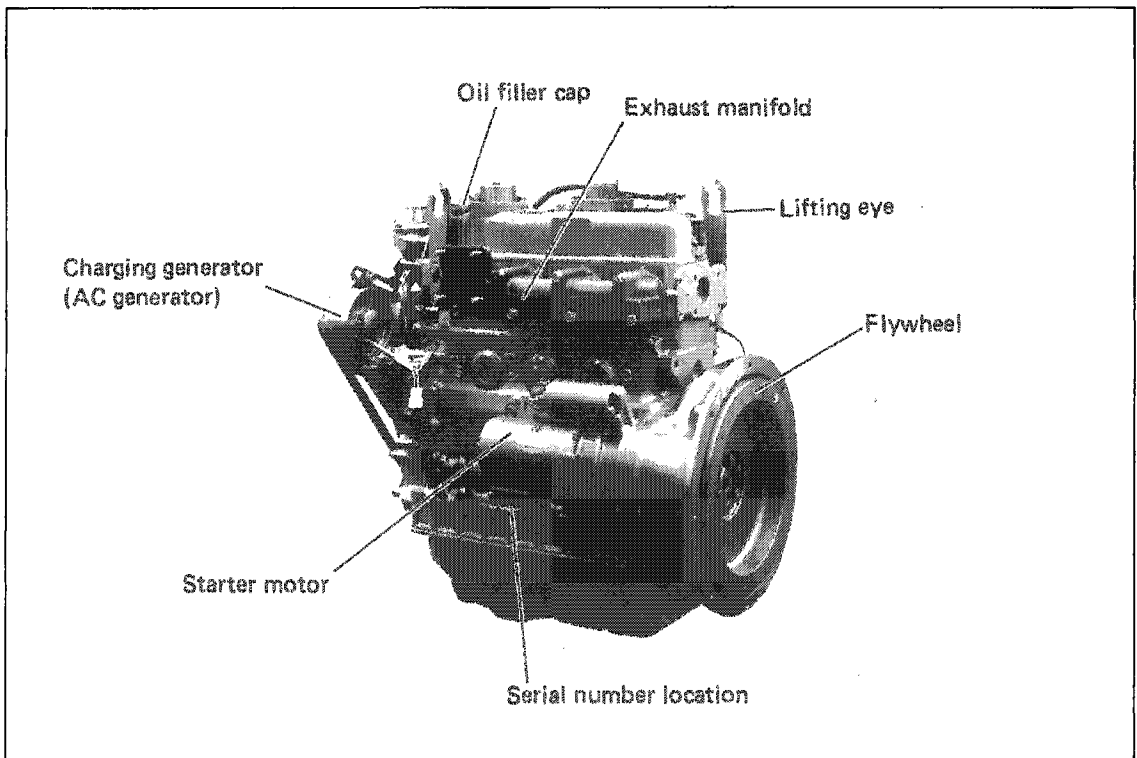
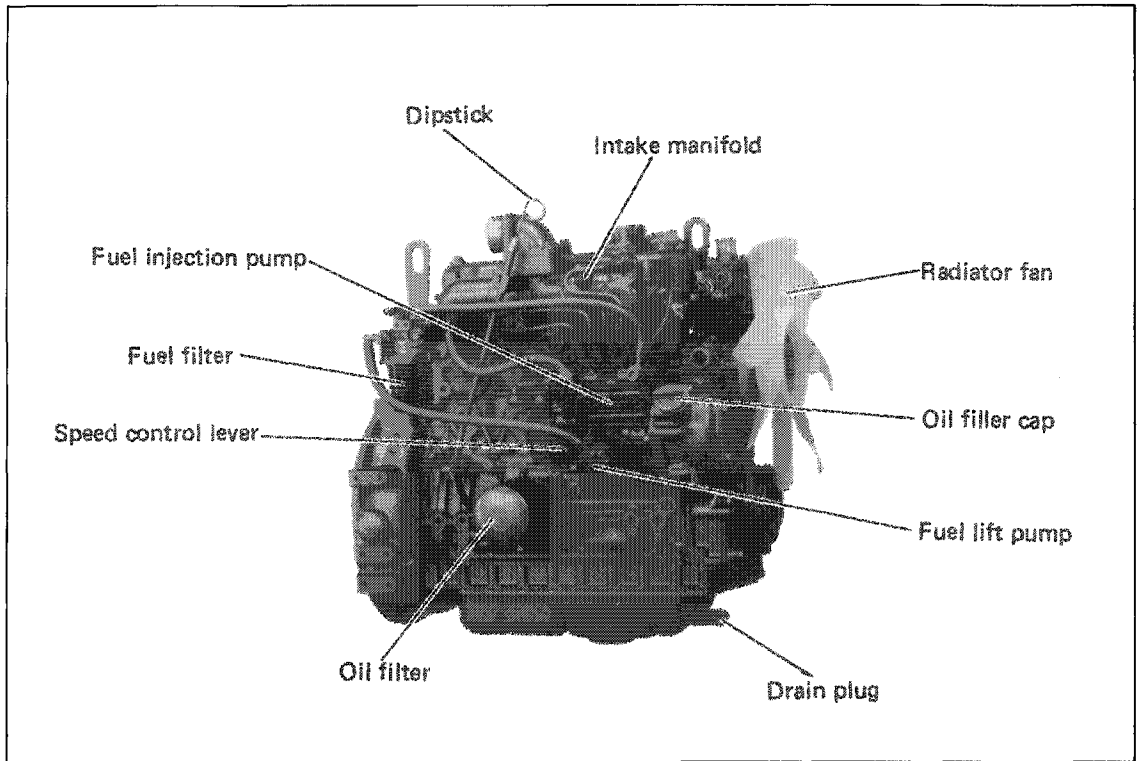
- Battery electrolyte contains sulphuric acid. Protect your eyes, skin and clothing. In case of contact, flush thoroughly with water and get prompt medical attention, especially if your eyes are affected.
- Batteries generate hydrogen gas which can be highly explosive. Do not smoke or allow flames or sparks near a battery, especially during charging.
- Charge the battery in a fully ventilated place.

CONTENTS

1. Names of parts	1
2. Specifications	2
3. Basic rules that must be kept for engine handling	3
4. Fuel oil, lube oil and cooling water	5
5. Breaking-in operation	7
6. Operating your engine	9
7. Periodic checks and maintenance	13
8. Long-term storage	18
9. Troubleshooting	19

1. Name of parts

1-1. Names of parts (TNE series)



2. Specifications

2. Specifications

Model	Unit	2TNE68		3TNE68		3TNE74		3TNE78A		3TNE82A		3TNE84		3TNE88		4TNE84		4TNE88		3TNE84T		4TNE84T		
		Industrial Use	Generator Use	Industrial Use	Generator Use	Industrial Use	Generator Use	Industrial Use	Generator Use	Industrial Use	Generator Use	Industrial Use	Generator Use	Industrial Use	Generator Use	Industrial Use	Generator Use	Industrial Use	Generator Use	Industrial Use	Generator Use	Industrial Use	Generator Use	
Type		Vertical 4-cycle water cooled diesel engine																						
No. of cylinders		2		3		3		3		3		3		3		4		4		3		4		
Bore	mm (in)	68 (2.68)		68 (2.68)		74 (2.91)		78 (3.07)		82 (3.23)		84 (3.31)		88 (3.46)		84 (3.31)		88 (3.46)		84 (3.31)		84 (3.31)		
Stroke	mm (in)	72 (2.83)		72 (2.83)		78 (3.07)		84 (3.31)		84 (3.31)		90 (3.54)		90 (3.54)		90 (3.54)		90 (3.54)		90 (3.54)		90 (3.54)		
Displacement	ℓ (Cu. in)	0.523 (31.93)		0.784 (47.84)		1.006 (61.59)		1.204 (73.47)		1.331 (81.22)		1.496 (91.29)		1.642 (100.2)		1.995 (121.7)		2.190 (133.6)		1.496 (91.29)		1.995 (121.7)		
Revolution	rpm	2000~3600		2000~3600	3000/3600	2000~3600	3000/3600	2000~3600	3000/3600	2000~3000	1500/1800	2000~3600	3000/1500/1800	2000~3000	1500/1800	2000~3600	3000/1500/1800	2000~3000	1500/1800	2000~3600	3000/1500/1800	2000~3600	3000/1500/1800	
Aspiration		Naturally aspirated																		Turbo-charged				
Combustion system		I D I								D I														
Direction of rotation		Counterclockwise (viewed from flywheel)																						
Cooling system		Radiator																						
Lubricating system		Forced lubrication with Trochoid pump																						
Starting system		Electric																						
*1 Dry weight (with backplate/with housing)	kg	59/65		70/81		85/105		112/128		112/128		138/155		138/155		160/170		160/170		142/160		165/175		
*2 Dimensions	Length	mm (in)	400 (15.75)		463.5 (18.25)		469.1 (18.47)		520.5 (20.49)		520.5 (20.49)		556 (21.89)		556 (21.89)		632 (24.88)		632 (24.88)		632 (24.88)		641 (25.23)	
	Width	mm (in)	401 (15.79)		401 (15.79)		440 (17.32)		489 (19.25)		489 (19.25)		486 (19.13)		486 (19.13)		498.5 (19.63)		498.5 (19.63)		540 (21.26)		498.5 (19.63)	
	Height	mm (in)	495 (19.49)		496 (19.53)		502 (19.76)		564 (20.20)		564 (22.20)		622 (24.49)		622 (24.49)		617 (24.29)		617 (24.29)		629 (24.76)		713 (28.07)	
*3 Lube oil capacity (Max./Effect)	ℓ	1.6/0.6		2.4 / 1.0		2.4 / 1.0		3.6 / 1.3		3.6 / 1.3		4.7 / 1.8		4.7 / 1.8		5.8 / 2.3		5.8 / 2.3		4.7 / 1.8		5.8 / 2.3		
Cooling water capacity (excluding radiator)	ℓ	0.6		0.9		0.9		1.8		1.8		2.0		2.0		2.7		2.7		2.0		2.7		
Alternator capacity (Standard)	A/V	15/12		15/12		15/12		15/12		15/12		15/12		15/12		15/12		15/12		15/12		15/12		

*1: Engine weight is according to YANMAR standard VM specification engine.

*2: Engine dimensions is according to YANMAR standard VM specification engine with backplate (FAN-Flywheel)

*3: Lube oil capacity is according to YANMAR standard VM specification engine with standard oil pan. Please be sure to read the mark on the dipstick (refer to page 5 on this manual) and observe the manual supplied by machine manufacture.

3. Basic rules that must be kept for engine handling

3. Basic rules that must be kept for engine handling

Strictly observe the following rules to prolong the life of your engine.

No.	Items to be observed	Details and troubles which may arise if the instructions are neglected
1	Be sure to conduct running-in operation while your engine is still new.	Applications of heavy loads may shorten the life of the engine while it is still new.
2	Be sure to warm-up the engine.	Warm-up the engine at idling speed for about 5 minutes after starting to permeate the lube oil to all parts of the engine. If the engine is not warmed up, there will be excessive wear of the moving parts.
3	Use fuel with a cetane value of over 45.	Inferior quality fuel can cause starting failure, and the engine will emit bluish white exhaust.
4	Drain the fuel tank.	Before operating the engine, open the drain cock of the fuel tank and remove the precipitates from the fuel.
5	Use high quality lube oil.	Inferior quality lube oil will cause seizure of the piston liner, excessive wear of moving parts and other troubles. The engine's durability will also be lowered.
6	Be sure to replace the lube oil and lube oil filter element on a regular basis.	<p>Lube oil replacement: 1st time After 50 hrs. 2nd time and thereafter ... Every 200 hrs.</p> <p>Element replacement: 1st time After 50 hrs. 2nd time and thereafter ... Every 400 hrs.</p> <p>⚠ CAUTION:</p> <ul style="list-style-type: none"> ● Use of old lube oil will make engine parts wear fast and cause engine troubles. ● The oil pressure drops if the element is old or clogged with dust. This causes main bearing seizure and any dust in the bearing makes it wear faster.
7.	Use clean tap water for cooling.	Hard water from wells causes scale deposits in the cooling water system. This lowers the cooling efficiency and raises the cooling water temperature too high, causing seizures of the piston.

3. Basic rules that must be kept for engine handling

8	Be sure to add anti-rust agent to the cooling water.	Rust in the cooling water system not only accelerates the corrosion of the system but shortens the engine's life on account of the loss of cooling efficiency.
9	Use the anti-freeze in cold areas.	The anti-freeze prevents the cooling water from freezing and cracking the engine. If the cooling water freezes, it may crack the cylinder block, radiator or cooling water pump. So, if anti-freeze is not used, be sure to drain the cooling water completely.
10	Replace cooling water every year.	Contaminated cooling water has a lower cooling efficiency, so the cooling water temperature is liable to rise too high. This causes engine seizure.
11	Prior to operation, always check the cooling water level in the sub tank (Eng. w/sub tank only). In addition, check the cooling water level in the radiator at least once a week.	If the cooling water runs short, the cooling water temperature will rise too high. This causes engine seizure.
12	Check and adjust the drive belt tension of the charging generator/fan.	An improper belt tension will either fail to transmit power satisfactorily or cause overheating. The belt will be damaged.
13	Do not use the starting motor run for more than 15 sec. continuously.	Continuous use of the starting motor for more than 15 sec. will damage the motor.
14	Please observe all caution labels that may be applied by the machine manufacture.	

4. Fuel oil, lube oil and cooling water

4. Fuel oil, lube oil and cooling water

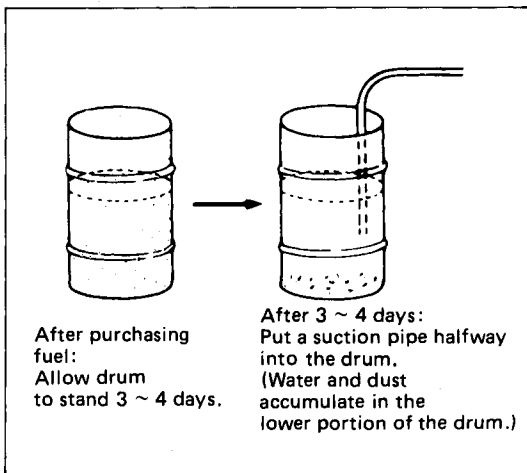
4-1. Selection and handling of fuel oil

(1) Selection of fuel oil

Use the diesel fuel oil which is most suitable for the engine. (Use diesel fuel oil with a cetane value of over 45.)

(2) Handling of fuel oil

- 1) Water and dust in the fuel oil cause engine failure.
- 2) Stand the drum for several days to precipitate the water and dust to the bottom. Use the fuel at the top.



4-2. Selection and refilling of lube. oil

(1) Selection

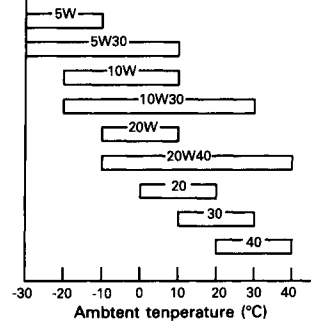
Nothing affects the performance and durability of your engine more than the lube oil you use. If inferior oil is used, or if your engine oil is not changed regularly, the risk of piston seizure, piston ring sticking, and accelerated wear of the cylinder liner, bearing and other moving components increases significantly. Your engine life may be seriously shortened. Use Class CC or CD (API Engine Service Classification) oil.

ENGINE OIL

YANMAR recommends A.P.I engine service classification of CC or CD.

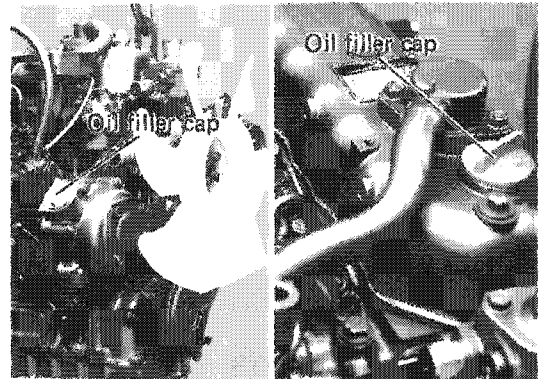
Always use oil with the right viscosity for the ambient temperature in which your engine is being operated.

Use the chart mentioned below when choosing your engine oil.

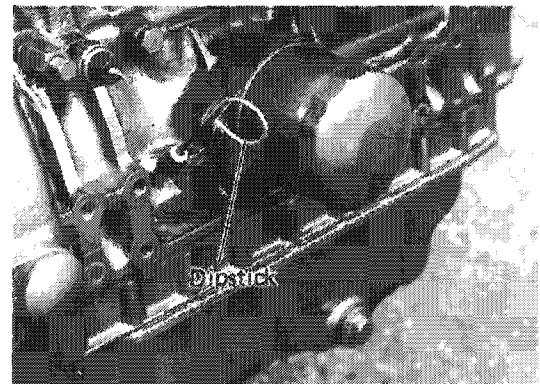


(2) Lube oil supply to the crank case

Remove the filler port cap (yellow) to supply lube oil to the crank case.



Insert the oil dipstick to the port and check that the oil comes up to the upper limit of the oil dipstick.



4. Fuel oil, lube oil and cooling water

⚠ CAUTION:

- It takes a little while for the lube oil supplied from the filler port to fill the crank case. Wait for about 3 minutes and then check the oil level.
- Make sure that your engine is sitting level when you check the oil. You cannot get the correct reading if it is tilted.
- The lube oil quantity in the crank case falls during the breaking-in operation of a new engine because the oil spreads to the lube oil cooler and lube oil piping. Stop the engine once and wait for about 3 minutes before checking the oil level again.
- Never fail crankcase with lube. Oil so that the level is above upper limit mark of the oil dipstick.

4-3. Cooling water

(1) Handling the cooling water

- 1) Be sure to use clean tap water (with anti-rust agent).

⚠ CAUTION:

Hard water from wells or sea water causes rusting of the cooling water system. This lowers the cooling efficiency and may cause overheating.

2) Use of anti-freeze

Use anti-freeze, if the temperature is expected to fall below freezing point. The use of anti-freeze removes the need for daily draining of the cooling water.

For safety, choose a temperature which is about 5°C lower than the lowest temperature of your area, and then decide the mixing ratio according to the instructions given by the anti-freeze maker.

⚠ CAUTION:

- To use the anti-freeze, first drain the cooling water completely from the radiator and the engine, pour in the anti-

freeze mixture up to mouth of the radiator's cooling water filler port. Operate the engine for about 30 minutes to fully mix the anti-freeze with water, and then store the engine.

- For cooling water draining instructions, refer to page 15.
- Anti-freeze is usually effective for one year. Refer to the instructions given by the anti-freeze maker.

- 3) If no anti-freeze is used in winter, be sure to drain the cooling water from the radiator and cylinder after operation.

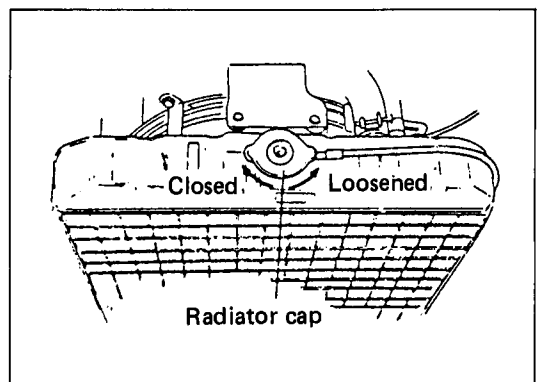
⚠ CAUTION:

If the cooling water is left in the engine, it may freeze and cause cracking in the radiator, cooling water pump and cylinder.

(2) Supply and check of cooling water

1) Supplying water to the radiator

Remove the cap on the radiator top to supply cooling water. The cap can be removed by turning it about 120 degrees counterclockwise. Before breaking-in the engine, fill with clean tap water up to the mouth of the filler port. To tighten, slot the cap rear lobe into the filler port notch and press-turn the cap clockwise.

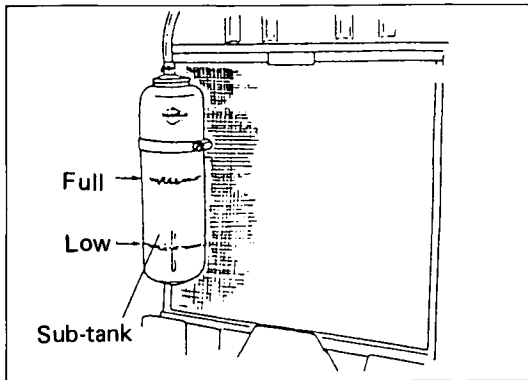


4. Fuel oil, lube oil and cooling water

5. Breaking-in operation

- 2) Checking and refilling with cooling water (Engines w/sub-tank)

Check the cooling water level against the "Full" and "Low" mark on the sub-tank. Remove the cap on top to refill. Fill to the "full" mark.

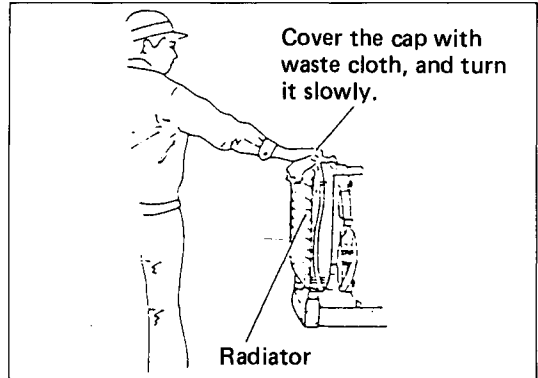


(3) Draining the cooling water

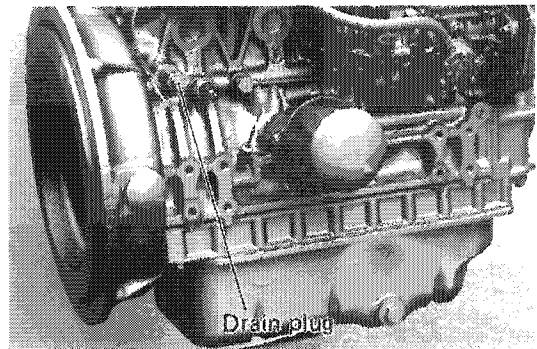
⚠ WARNING:

Cooling water freezes in cold temperature, if the anti-freeze or correct mixture ratio of anti-freeze is not used, be sure to drain the cooling water after stopping the engine. Also drain the cooling water completely before long storage. Otherwise, water in the cylinder may freeze and crack the cylinder.

- Before draining the cooling water, remove the pressure cap and the drain plug of the radiator. If the cap is not removed, draining will be hard and may be incomplete.
- Engine must be cold condition. Be careful to avoid burns when removing the pressure cap. Keep your face away from the cap, cover it with a waste cloth, and extend your arm and turn the cap slowly to reduce the pressure inside the radiator.



- 1) Loosen the drain plug at the cylinder body side, and drain the water inside the cylinder.



5. Breaking-in operation

Operate your new engine in accordance with the following procedures.

5-1. Fuel oil

Supply fuel to the fuel tank.

⚠ CAUTION:

To prevent fuel from overflowing, supply to 80 – 90% of the tank's capacity.

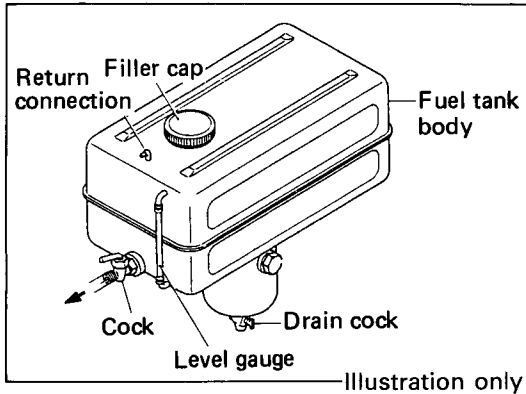
In subsequent engine operations, observe the following rules:

(1) Draining the fuel tank

Even when only using fuel from the top of drum, there will still be some dust or water impurities. These must be drained off before they get into the inner parts of the engine.

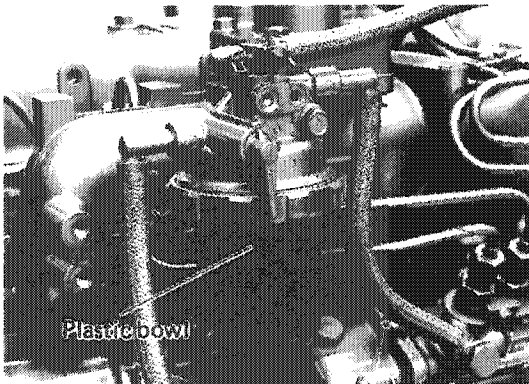
5. Breaking-in operation

Be sure to install the precipitation trap and draining cock on the bottom of the fuel tank. Before operating the engine, open the cock and remove the sediments from the fuel.



(2) Draining the fuel filter

Before operation, check whether or not there are water and dirt in the transparent plastic bowl of the fuel filter. If dirt deposits are large, disassemble and clean the filter.



(3) Do not supply fuel while the engine is running

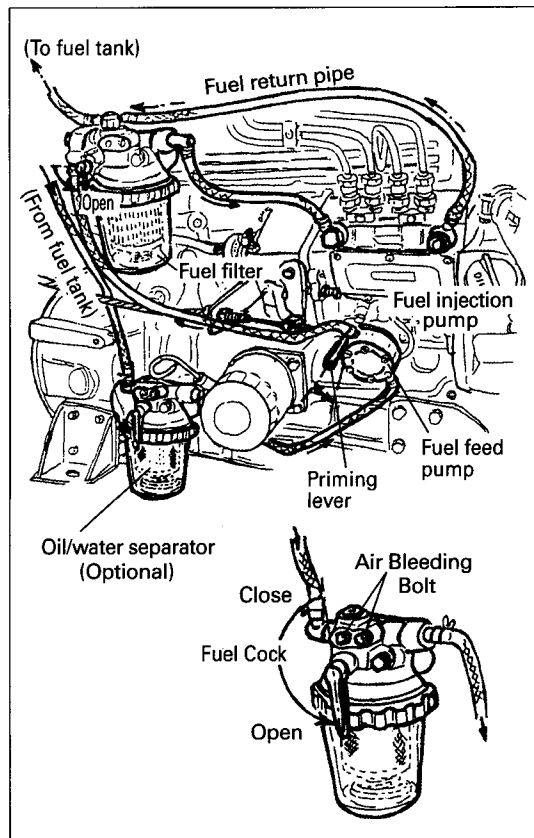
⚠ WARNING:

To avoid fire hazards, be sure to stop the engine before refilling with fuel.

5-2. Bleeding the fuel system

Bleed the fuel system according to the following procedure. When there is air in the fuel system, the fuel injection pump will not be able to function.

- (1) Check the amount of fuel in the fuel tank. If insufficient, replenish.
 - (2) Open the cocks of the oil/water separator and the fuel filter.
 - (3) Loosen the air bleeding bolt at the top of the oil/water separator by turning it 2 - 3 times with a screw driver.
 - (4) When the fuel coming out of the air bleeding hole is clear and not mixed with any bubbles, tighten the air bleeding bolt.
 - (5) Send fuel with the fuel feeding pump.
- Electromagnetic fuel feeding pump**
When the starter switch key is turned



5. Breaking-in operation
6. Operating your engine

to ON, the fuel feeding pump begins operation and bleeding of the fuel system is performed automatically.

Mechanical fuel feeding pump

Move the lever on the side of the fuel feeding pump up and down to feed fuel. Continue to do this until the level of fuel inside the fuel filter rises, thereby bleeding the system.

5-3. Lubricating engine parts

- (1) Lubricate the speed control lever

5-4. Spreading the lube oil

When using the engine after a period of non-use (for more than a month), it is necessary to circulate the lube oil as follows before starting regular engine operation.

- (1) Disconnect the machine.
(Turn off the clutch.)
- (2) Shift the speed control lever to the "Stop" position.
- (3) Set the starter key at the "Start" position and run the motor for about 15 seconds. .
- (4) Wait for about 15 – 20 seconds, and then run the motor again for another 15 seconds. (Repeat this procedure 2 or 3 times.)

5-5. Checking the pilot lamps

Check that the pilot lamps on the instrument pan'el are as shown below when the starter key is turned on and engine is not running.

Pilot lamps	Low L.O. pressure alarm lamp	Lit
	Charge lamp	Lit
	Cooling water temp. alarm lamp	Off

(If Yanmar panel is installed)

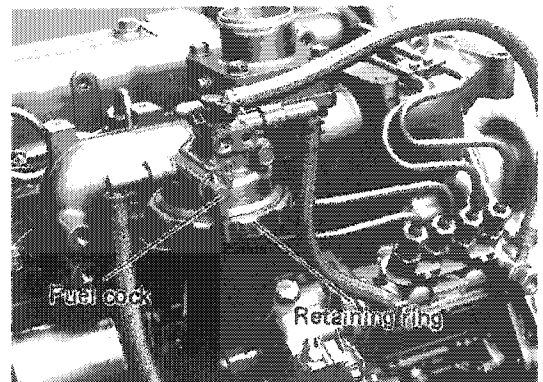
6. Operating your engine

Tidy the area around the engine. Remove any tools or other obstacles from the vicinity of flywheel, rotating parts and the top of the engine.

Before operating the engine, check that there are no obstacles around t.he eogine, especially around the rotational parts.

6-1. Starting

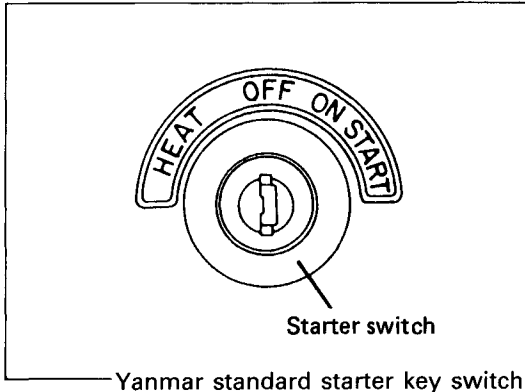
- (1) Disconnect the machine.
- (2) Turn the fuel cock to "OPEN".



- (3) For models with a water trap, turn the cock and fuel cock to "Open".

6. Operating your engine

- (4) Turn the speed control lever to "START/Run".
- (5) Turn the starter switch key to "START". The engine should start.



Once the engine is started, release the key. The key automatically returns to "ON". (Do not turn off the battery switch even after the engine is started). At "ON", the gauges on the instrument panel start operating.

CAUTION:

Protecting the battery

Do not run the starter motor for more than 15 seconds at a time. If the engine can't be started, wait for about 30 second before using the starter again.

Engine re-starting

Be sure to check that the flywheel has come to a standstill before turning the starter switch to "START".

- The starter motor or flywheel gear may be damaged if the starter switch is operated with the flywheel still moving.
- Engines with a safety relay in the circuit can't be re-started unless the starter switch has been turned off once the starter motor was run.

Cold weather starting

- Turn the starter key counterclockwise to the "Heat" (or Glow) position and hold it in that position for about 15 seconds, (about 8 sec. for the engine with a quick-glow device).
- Then, return the starter key to "START" to start the engine.

6-2. Cautions after engine starting

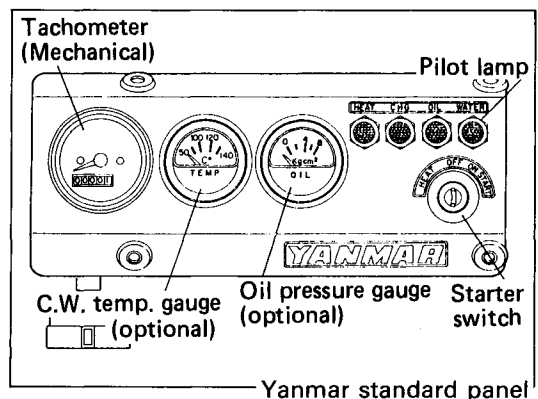
Once the engine is started, observe the following instructions. (Keep the machine disconnected.)

- (1) Warm-up the engine for more than 5 minutes.

CAUTION:

- The lube oil will not spread all the way to the main bearing and other moving parts for some time after starting. To protect these parts from wear, the engine must be idled for about 5 minutes at low speed.
- For breaking-in, idle the engine at low speed for 15 – 20 minutes.

- (2) Raise the engine speed above 800rpm, and check that the low oil pressure alarm lamp and the charge lamp go out.



6. Operating your engine

⚠ WARNING:

If the warning lamps still do not go out when the engine speed is raised above 1000 rpm, the engine is faulty. Stop the engine immediately and contact your nearest Yanmar dealer.

6-3. Cautions during engine operation

During engine operation, check the following items once or twice a day.

(1) Exhaust color

Black exhaust indicates that the engine is under strain. Continued operation will shorten the lives of engine. Stop engine operation when black exhaust is emitted.

(2) Water and oil leakage

Check that there are no water, oil or combustion gas leaks, loose bolts and abnormal noise, overheating and excessive vibrations. If any abnormality is found, stop the engine and contact your nearest Yanmar dealer.

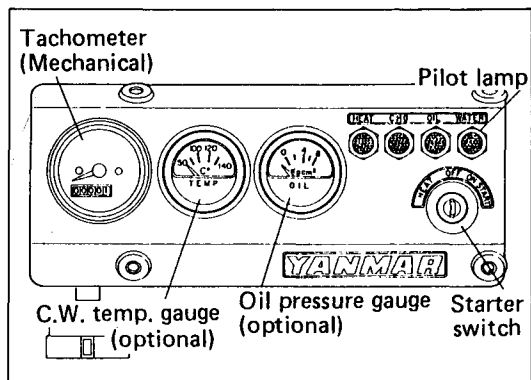
(3) Avoid resonance range operation

⚠ WARNING:

Depending on the driven machine, engine vibrations will be excessive in a certain speed range due to resonance of the engine with the engine bed. Avoid engine operation in this range.

(4) Alarm lamps

- **Low oil pressure alarm lamp ("OIL")**
If the low oil pressure alarm lamp goes on or is lit while the engine is running at higher than low idle, check whether the lube oil is too low. If not, there is an abnormality in the lube oil circuit. Continued operation will cause engine seizure. Stop the engine soon, and consult your nearest Yanmar dealer.



(Note):

To check the lube oil level, stop the engine and wait for more than 3 minutes.

• **Charge alarm lamp ("CHG")**

If the charge alarm lamp goes on or is lit while the engine is running at over 800 rpms, there is a fault in either the charging circuit or the fan belt (slippage or damage). Stop the engine and check. If the fan belt is OK, contact your nearest Yanmar dealer.

• **Cooling water temp. alarm lamp ("WATER")**

If the cooling water temp. alarm lamp is lit during load operation of the engine, the engine is overheated. Stop the engine immediately and check the fan belt tension and the cooling water level. If both are OK, contact your nearest Yanmar dealer.

⚠ WARNING:

- **Do not check the cooling water level while the radiator is still hot. Steam or hot water may burst out if the radiator cap is removed soon after the engine is stopped.**
- **When removing the radiator cap, turn your face well away and cover the cap with a cloth. Turn the cap slowly to gently release the pressure inside the radiator.**

6. Operating your engine

(5) Abnormal noise

If abnormal sounds are heard during engine operation, stop the engine soon and locate the cause. If it can't be located, contact your nearest Yanmar dealer.

6-4. Engine stopping

(1) Idle the engine before stopping

- 1) To stop the engine, disconnect the machine and operate the engine at low speed for about 5 minutes.
- 2) Move the speed control lever back to the "Continuous use" position. You have to raise the engine speed once again in order to discharge the soft carbon from the cylinder.
- 3) Drop the engine speed to the low idle speed, and cut the fuel to stop the engine.

CAUTION:

If the engine is stopped immediately after removing load, the temperature of engine parts will rise suddenly, and this could cause engine trouble.

Always operate the engine without load at low speed for about 5 minutes.

(2) After engine stopping

After stopping the engine, close the fuel cock and the water trap cock.

(3) Wipe off dust and soil and clean the engine.

(4) Turn off the battery switch (if your engine has one).

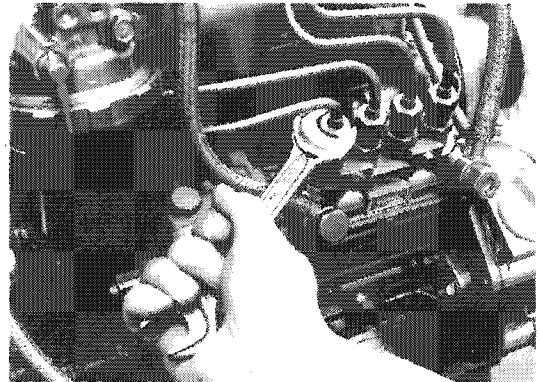
(5) Pull out the starter key.

WARNING:

Emergency stop

If the engine can't be stopped with the engine stop lever (or the speed control lever), or the engine speed can't be lowered by the speed control lever, stop the engine as follows:

- (a) Block off the air supply
- (b) Shut off the fuel cock
- (c) Loosen all the nuts on either the fuel injection pump side or the fuel injection nozzle side. This cuts off the fuel supply, and the engine stops.



In such cases, contact your nearest Yanmar dealer to locate the causes and have them repair the engine.

7. Periodic checks and maintenance

7. Periodic checks and maintenance

Periodic checks and maintenance are very important for keeping the engine in good

condition and durable. The chart below indicates which checks to make and when to make them.

○: Check ⊙: Replace ●: Consult local dealer

Item	Content	Interval term					
		Daily	Every 50hrs	Every 200hrs	Every 400hrs	Every 1000hrs	Every 2000hrs
Fuel oil	Check & supply of oil to the tank	○					
	Drain the fuel tank		○				
	Clean the oil/water separator		○				
	Replace the fuel filter element				⊙		
Lube oil	Check the quantity of lube oil	○					
	Replace the lube oil		⊙ 1st time	⊙ 2nd time after			
	Replace the lube oil filter element		⊙ 1st time		⊙ 2nd time after		
Cooling water	Check & supply of cooling water	○					
	Clean radiator fins			○			
	Check the V-belt tension		○ 1st time	○ 2nd time after			
	Replace the cooling water						
	Clean & check the cooling water passage					⊙	
Rubber hose	Check & replace fuel oil pipe, cooling water pipe						●
Operation system	Check & adjust governor lever, accelerator	○		○			●
Intake system	Clean air cleaner & replace element			○	⊙		
	Check Turbocharger, adjust.					●	
Electrical equipment	Check the alarm lamps & devices	○					
	Check & supply electrolyte in battery		○				
Cylinder head	Adjust the intake and exhaust valve clearance					●	
	Lapping the intake and exhaust valve						●
Fuel pump & injection valve	Check fuel valve nozzle, clean					●	
	Check & adjustment of fuel injection pressure & atomizing condition					●	
	Check fuel pump, adjust.						●

7. Periodic checks and maintenance

7-1. Check and adjustment of fuel oil system

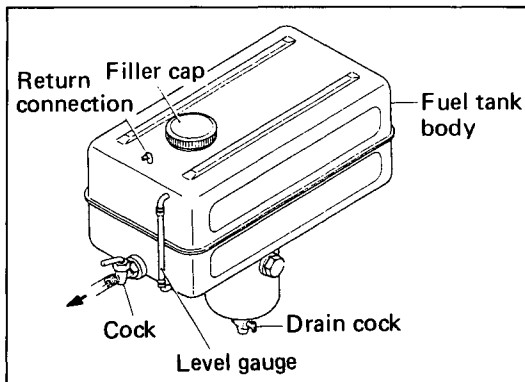
(1) Fuel level check and resupply

Resupply clean fuel to the fuel tank.

Interval	Daily
----------	-------

(2) Draining of the fuel tank

Open the drain cock at the bottom of the tank and drain off the sediment.



Interval	once a month
----------	--------------

(3) Draining the fuel filter; cleaning and replacing the element

Draining

Remove the bottom of the fuel filter housing, and extract the water and dirt.

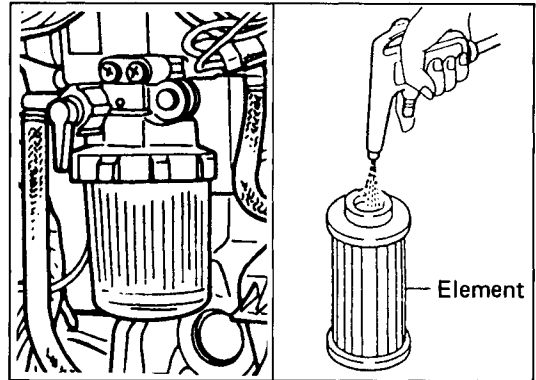
Interval	Every 200 hrs.
----------	----------------

Cleaning and replacing the element

Remove the bottom of the fuel filter housing, and clean or replace the element.

Interval	Clean Every 200 hrs.
	Replace Every 400 hrs.

To remove the element, remove the retaining ring of the fuel filter. Clean the element with light oil, and blow compressed air (2–3 kg/cm²) through the element to remove dust.



⚠ CAUTION:

Do not use gasoline to clean the element.

Also remove the dust and water deposited on the bottom of the trap in the fuel filter.

(4) Oil/water separator (Sedimenter): option

Follow the same procedures as for the fuel filter.

7-2. Lube oil system

(1) Checking the oil level in the crank case

Prior to engine operation, pull out the oil dipstick and check that the oil level is between the upper and lower limits. If the oil is low, resupply.

Check interval	Daily (prior to operation)
----------------	----------------------------

7. Periodic checks and maintenance

(2) Replacement of lube oil

It is most effective to drain the lube oil while the engine is still warm. Replace the lube oil as follows:

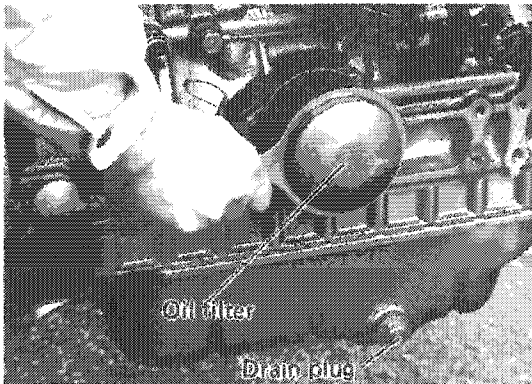
Replace- ment interval	1st time . . . After 50 hrs.
	2nd time and thereafter . . . Every 200 hrs.

⚠ CAUTION:

Replace the lube oil more frequently when the engine is operated in dusty conditions.

(3) Replacement of lube oil filter

Remove the filter and replace.



Replace- ment interval	1st time . . . After 50 hrs.
	2nd time and thereafter . . . Every 400 hrs.

⚠ CAUTION:

Replace the filter more frequently when the engine is operated in dusty conditions.

7-3. Cooling water system

(1) Checking the cooling water level

[Engines w/sub tank]

Daily checks of the cooling water level can be done by observing the sub-tank water level. If it is low, refill up to the "FULL" limit. Then press-fit the cover completely back on.

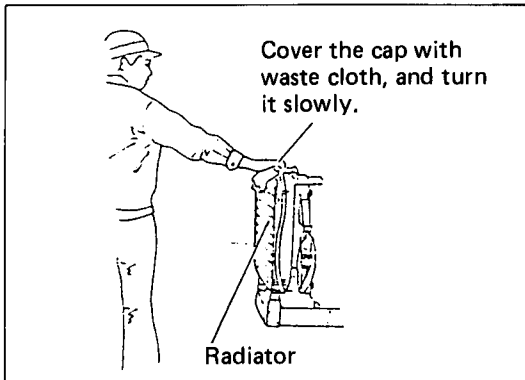
Note:

- Check the cooling water level when the engine is cold. Radiator cooling water flows to the sub-tank when the engine is still hot and makes accurate checks impossible.
- Check radiator and hoses for leakage.
[Engines w/o sub-tank]
Remove the radiator cap and check the water level.

⚠ WARNING:

- Do not check the cooling water level while the radiator is still hot. Steam or hot water may burst out if the radiator cap is removed soon after the engine is stopped.
- When removing the radiator cap, turn your face well away and cover the cap with a cloth. Turn the cap slowly to gently release the pressure inside the radiator.

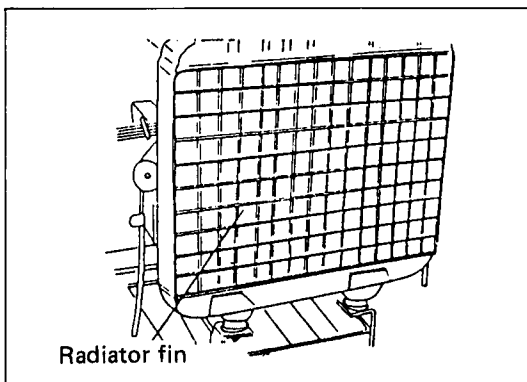
7. Periodic checks and maintenance



Check interval	Daily
----------------	-------

(2) Checking radiator core fin and radiator screen for clogging.

If the fin is clogged, either blow compressed air on the fin or flush the fin with water to remove the dust. Radiator fin clogging will cause the engine to overheat.



(3) Replacing cooling water

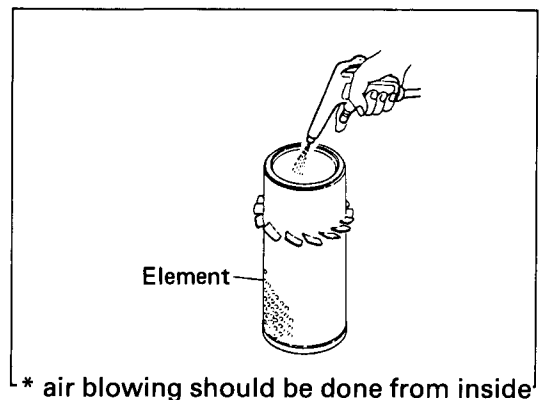
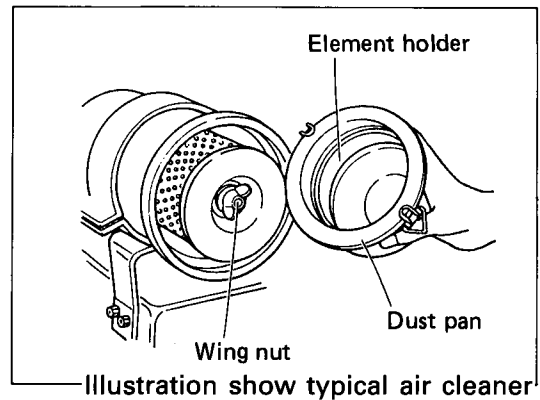
The effectiveness of the anticorrosive agent will be lowered if the cooling water becomes contaminated.

Replacement interval	Every year
----------------------	------------

7-4. Air intake system

(1) Cleaning the air cleaner

- 1) Disassemble the air cleaner in order to remove the air cleaner element, then blow compressed air. Blow compressed air ($3-5\text{kg/cm}^2$) through the element remove the dust. Reassemble the air cleaner in reverse order.



- 2) Pull out the element holder from the dust pan, and remove the dust from the retainer, if the air cleaner is same type as illustration.

⚠ CAUTION:

- If the engine is operated in dusty condition, clean the element every 50 hours.

7. Periodic checks and maintenance

- Do not knock the element against solid object to remove the dust. The element may be distorted and damaged and suck in dust through the flaw.
- Do not perforate the element or operate the engine without installing the element. (Dust causes rapid wear of the inner parts of the engine.)

CAUTION:

- Do not contaminate the element with oil, etc.

7-5. Checking the engine body

(1) Engine body

For checking and adjusting the following items, contact your nearest Yanmar dealer.

Check and adjustment item	Service interval
Adjustment of intake/exhaust valve clearance	Every 1000 hours

(2) Lubrication of the speed control lever

Lubricate the governor linkage to ensure smooth operation.

Lubrication interval	Daily (prior to operation)
----------------------	----------------------------

7-6. Checking the electrical equipment

Checking the alarm lamps

Check the correct functioning of the alarm lamps. If there is any abnormality, immediately stop the engine and contact your nearest Yanmar dealer.

Check interval	Daily
----------------	-------

When the key switch is turned on:

1) When the engine is not running

Alarm lamps	Low oil pressure alarm lamp	Lit
	Charge alarm lamp	Lit
	Cooling water temp. alarm lamp	Out

2) While the engine is running

Alarm lamps	Low oil pressure alarm lamp	Out
	Charge alarm lamp	Out
	Cooling water temp. alarm lamp	Out

Above chart is effective on Yanmar standard panel.

7-7. Checking and adjusting the fan belt tension

Too much fan belt tension accelerates V-belt wear, and too little V-belt tension leaves the pulley idle, overheats the engine, and no power is generated. Adjust the belt tension as follows:

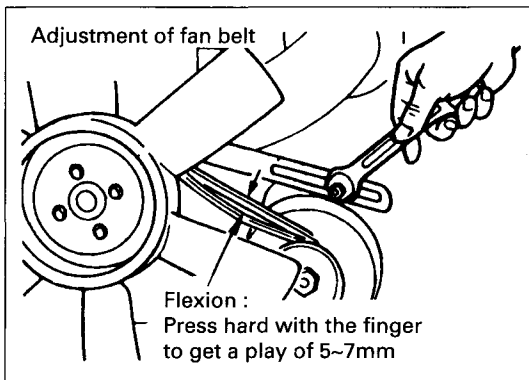
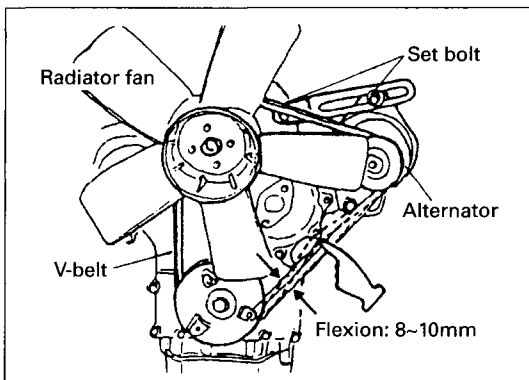
- (1) Loosen the adjust bolt, and move the charging generator outwards to increase the tension, or move the charging generator inwards to decrease the tension.

7. Periodic checks and maintenance

8. Long-term storage

- (2) Do not allow the oil to come into contact with the belt. The belt will slip if contaminated with oil.

Belt flexion	8~10 (5~7)mm
Check interval	1 st time 50 hrs. 2nd time and thereafter Every 200 hrs.



8. Long-term storage

- (1) Store your engine in a well ventilated place free from excessive humidity and dust.
- (2) Carefully follow these directions when storing your engine for a long period (3 months or more) :

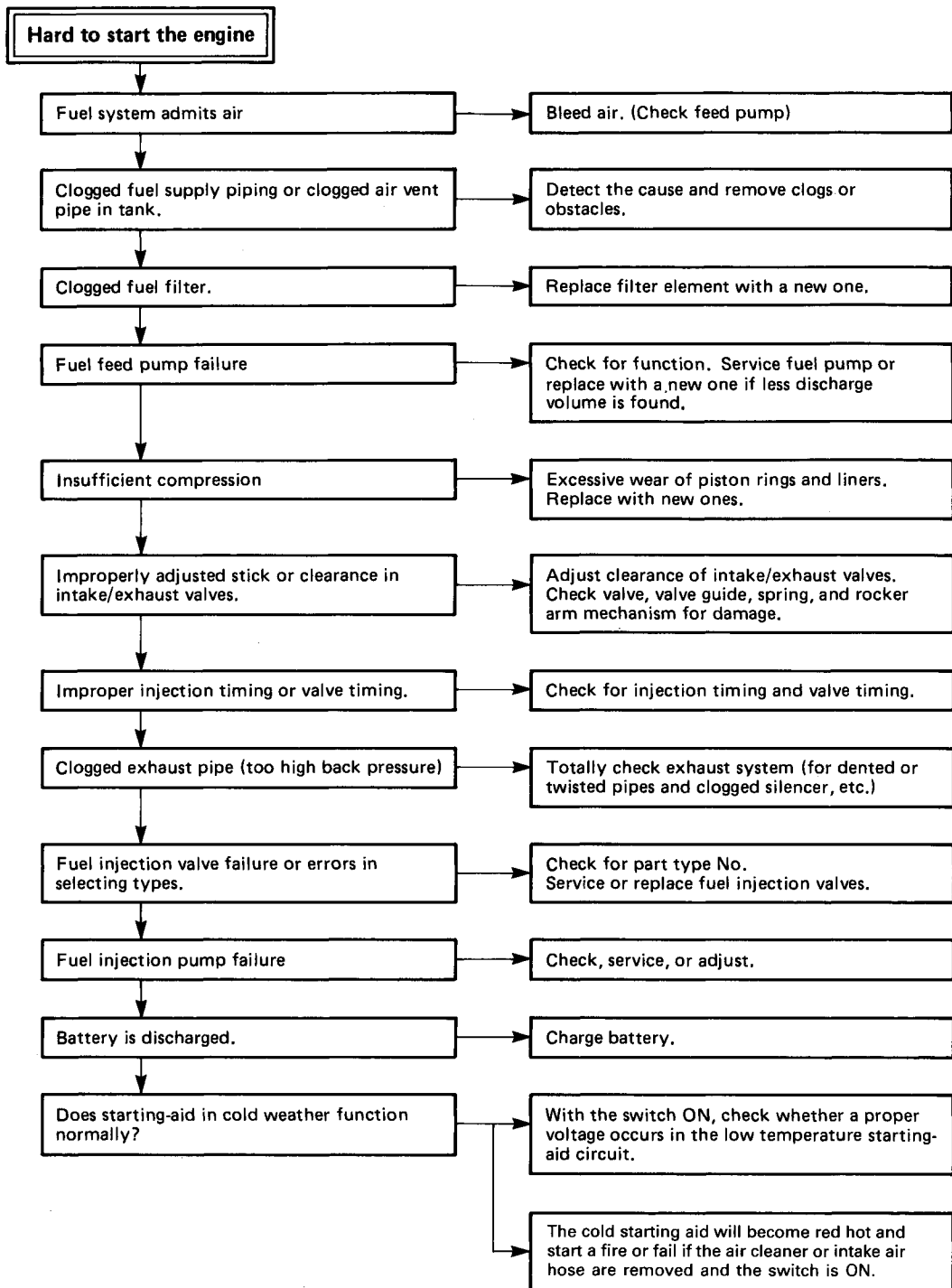
- 1) Clean mud, oil, etc. off the surface of your engine.
- 2) Change the engine oil.
Change the lube oil filter.
- 3) Run your engine once a month whenever possible. If not, follow these directions when beginning storage and every subsequent 6 months.
 - Remove fuel injection valves on the cylinder head, Supply each combustion chamber with about 2 cc of clean engine oil using an oilcan. Attach and tighten the injection valves.
 - Turn the stop lever to "STOP".
 - Turn the starter key. Crank up for about 10 seconds so that cylinder walls are uniformly oiled.
- 4) Leave the cooling water with its anti-freeze, provided that the anti-freeze is not too old.
- 5) Apply a thin coat of clean oil to any bare surface of the engine.
- 6) Cover the exhaust silencer, air cleaner, etc. with a PVC film to prevent humid air from entering your engine. Carefully protect the electric system from humidity in the same way.
- 7) Remove the batteries from the engine and charge them fully before storage. Charge the batteries every month during storage, because they run down naturally (self-discharge).

⚠ CAUTION :

- Do not supply more than 2 cc oil to each cylinder, otherwise internal engine damage may occur.

9. Troubleshooting

9. Troubleshooting



If the cause of trouble cannot be found, contact your nearest Yanmar dealer.

FRANÇAIS

MOTEUR DIESEL SERIE TNE

MODE D'EMPLOI

MODE D'EMPLOI pour moteurs YANMAR Série TNE

Nos félicitations pour votre choix d'un produit YANMAR de la
YANMAR POWER TECHNOLOGY CO., LTD.

Ce Manuel de fonctionnement vous explique comment faire fonctionner et entretenir votre nouveau moteur TNE Yanmar. Veuillez le lire attentivement avant d'utiliser le moteur TNE de manière à s'assurer d'une manipulation et d'un fonctionnement appropriés. Suivez attentivement les instructions données pour pouvoir conserver votre moteur dans des conditions de marche optimales. Si vous avez n'importe quelle question concernant ce manuel, veuillez contacter votre revendeur Yanmar le plus proche de votre domicile.

Ce Mode d'Emploi intéresse les points principaux pour le fonctionnement du moteur TNE. Les photos dans ce manuel sont basées sur le moteur 4TNE84.

De façon à pouvoir vous assurer de travailler dans des conditions de sécurité, veuillez lire les instructions concernant les précautions à suivre pour un fonctionnement sans danger du moteur TNE.

Il est recommandé de bien faire attention aux instructions précédées des mots suivants.



AVERTISSEMENT:

Signale une grande possibilité de blessure ou risque mortel si les précautions ne sont pas prises.



PRECAUTION:

Signale une possibilité de blessure ou d'endommagement de l'équipement si les précautions ne sont pas prises au cas où les instructions ne sont pas respectées.

Note:

Offre des renseignements importants.

Si un problème survenait, ou si vous aviez n'importe quelle question à poser concernant le moteur, veuillez contacter un revendeur Yanmar agréé.



AVERTISSEMENT:

Le moteur TNE Yanmar est conçu pour offrir des opérations sûres et fiables à condition qu'il soit manipulé conformément aux instructions. Il est donc recommandé de lire et de bien comprendre les instructions données dans le Mode d'Emploi avant d'utiliser cette machine. Si ceci n'est pas pris en considération, il pourrait se produire des blessures ou un endommagement de l'équipement.

CONSEILS POUR UNE BONNE SECURITE

CONSEILS POUR UNE BONNE SECURITE

AVERTISSEMENT:

1. COMMENT EVITER DES RISQUES D'INCENDIE

Ne jamais ajouter du combustible dans le réservoir de combustible pendant que la machine est en fonctionnement. Nettoyer toute trace de combustible avec un chiffon bien propre. Maintenir l'essence, le kérosène, les allumettes ou autres explosifs et produits inflammables loin du générateur, car la température autour du silencieux d'échappement est très élevée durant les opérations.

- Pour éviter tout risque d'incendie et fournir une ventilation appropriée, éloigner le moteur à au moins 3 pieds (1 mètre) des édifices ou autres équipements durant les opérations.

2. COMMENT EMPECHER LA PRESENCE DE GAZ D'ECHAPPEMENT

- Le gaz d'échappement contient de l'oxyde de carbone toxique.
- Ne jamais utiliser le moteur dans des endroits faiblement ventilés tels que dans des intérieurs, des passages souterrains ou des tunnels. Si un fonctionnement à l'intérieur est inévitable, prévoir une ventilation adéquate.

3. COMMENT EVITER LES BRULURES

- Ne jamais toucher au silencieux d'échappement, au couvercle du silencieux ou au bâti du moteur pendant que le moteur est en marche ou est encore chaud.

4. AUTRES CONSEILS INTERESSANT LA SECURITE

- Il est recommandé de bien savoir comment arrêter immédiatement le moteur et comprendre le fonctionnement de toutes les commandes. Ne jamais laisser d'autres personnes utiliser le moteur sans avoir donné les instructions nécessaires.
- Porter toujours des vêtements appropriés lorsque l'on fait fonctionner le moteur.
- Ne jamais utiliser cette machine lorsque l'on a bu de l'alcool.
- Eloigner les enfants et les animaux du moteur lorsque celui-ci est en fonctionnement.
- S'éloigner des pièces rotatives pendant la marche du moteur.
- Lorsque le moteur est accouplé à une machine, veiller à fournir des couvercles appropriés à la courroie, à l'accouplement et aux autres pièces dangereuses.
- Travailler conformément aux règlements de la zone des travaux. En particulier, veiller à bien assurer une bonne communication avec tout le monde lorsque l'on travaille en groupe.
- Utiliser des outils et équipements appropriés.

5. LORSQUE L'ON CHARGE LA BATTERIE

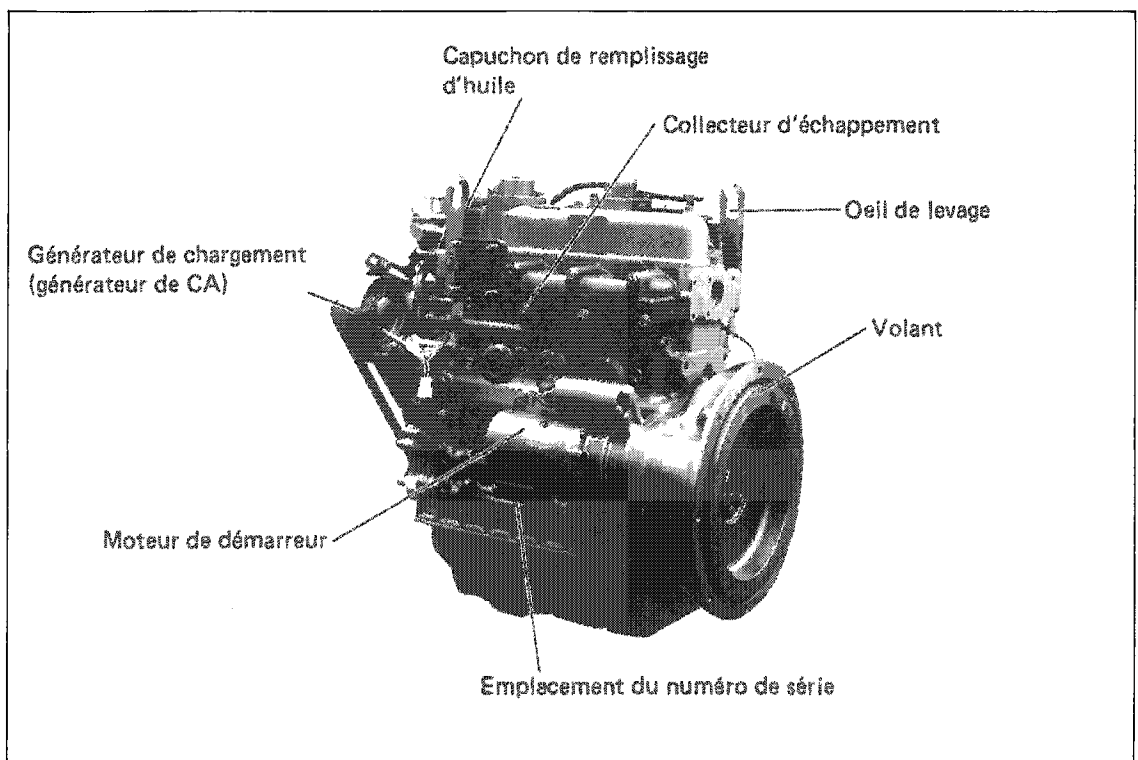
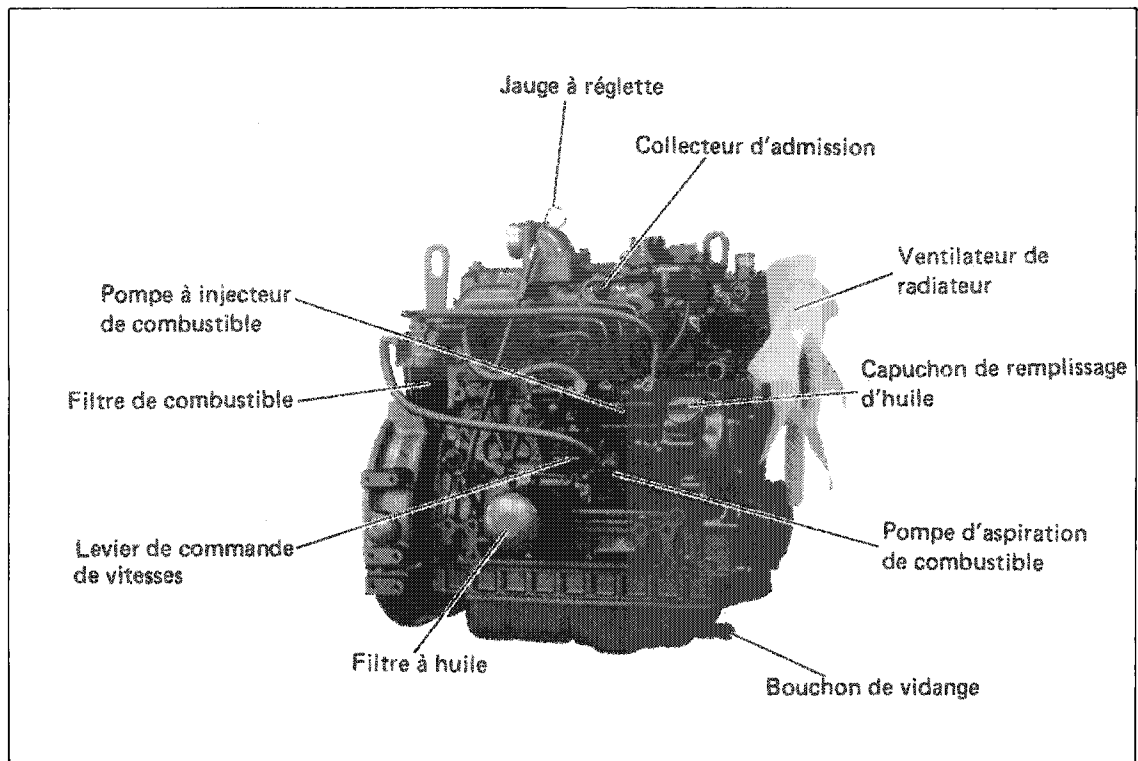
- L'électrolyte de la batterie contient de l'acide sulfurique. Par conséquent, protéger les yeux, la peau et les vêtements. En cas de contact avec l'acide sulfurique, rincer complètement avec de l'eau et se rendre immédiatement chez le médecin, surtout si les yeux ont été touchés.
- Les batteries génèrent de l'hydrogène qui peut être très explosif. Il est donc recommandé de ne pas fumer ou approcher une flamme ou encore de produire des étincelles à proximité d'une batterie, surtout au moment où l'on charge la batterie.
- Charger la batterie dans un endroit bien ventilé.

TABLE DES MATIERES

1. Désignation des pièces	1
2. Spécifications	2
3. Principes de base qui doivent être maintenus pour la manipulation du moteur	3
4. Combustible, huile de lubrification et eau de refroidissement	5
5. Rodage	8
6. Fonctionnement du moteur	10
7. Entretien et contrôles périodiques.	15
8. Mise an dépôt pour une longue période de temps	21
9. Dépannage.	22

1. Désignation des pièces

1-1. Désignation des pièces (Serie TNE)



2. Specifications

2. Specifications

Modèle	Unité	2TNE68	3TNE68		3TNE74		3TNE78A		3TNE82A		3TNE84		3TNE88		4TNE84		4TNE88		3TNE84T		4TNE84T		
		Usage industriel	Usage industriel	Usage générateur	Usage industriel	Usage générateur	Usage industriel	Usage générateur	Usage industriel	Usage générateur	Usage industriel	Usage générateur	Usage industriel	Usage générateur	Usage industriel	Usage générateur	Usage industriel	Usage générateur	Usage industriel	Usage générateur	Usage industriel	Usage générateur	
Type		Moteur Diesel à refroidissement à eau, 4 temps																					
No. of cylindres		2	3		3		3		3		3		3		4		4		3		4		
Alésage	mm (in)	68 (2.68)	68 (2.68)		74 (2.91)		78 (3.07)		82 (3.23)		84 (3.31)		88 (3.46)		84 (3.31)		88 (3.46)		84 (3.31)		84 (3.31)		
Course	mm (in)	72 (2.83)	72 (2.83)		78 (3.07)		84 (3.31)		84 (3.31)		90 (3.54)		90 (3.54)		90 (3.54)		90 (3.54)		90 (3.54)		90 (3.54)		
Cylindrée	ℓ (Cu. in)	0.523 (31.93)	0.784 (47.84)		1.006 (61.59)		1.204 (73.47)		1.331 (81.22)		1.496 (91.29)		1.642 (100.2)		1.995 (121.7)		2.190 (133.6)		1.496 (91.29)		1.995 (121.7)		
Régime	rpm	2000~3600	2000~3600	3000/3600	2000~3600	3000/3600	2000~3600	3000/3600	2000~3000	1500/1800	2000~3600	3000/3600	2000~3000	1500/1800	2000~3600	3000/3600	2000~3000	1500/1800	2000~3600	3000/3600	2000~3600	3000/3600	
Aspiration		Aspiré naturellement																		Turbo-compressé			
Système de combustion		I D I						D I															
Direction de rotation		Dans le sens contraire des aiguilles d'une montre (vu à partir du volant)																					
Système de refroidissement		Radiateur																					
Système de lubrification		Lubrification forcée par Trochoïd pomper																					
Système de démarrage		Electrique																					
*1 Poids à sec (avec contreplaqué/avec cadre)	kg	59/65	70/81		85/105		112/128		112/128		138/155		138/155		160/170		160/170		142/160		165/175		
*2 Dimensions	Longueur mm (in)	400 (15.75)	463.5 (18.25)		469.1 (18.47)		520.5 (20.49)		520.5 (20.49)		556 (21.89)		556 (21.89)		632 (24.88)		632 (24.88)		632 (24.88)		641 (25.23)		
	Largeur mm (in)	401 (15.79)	401 (15.79)		440 (17.32)		489 (19.25)		489 (19.25)		486 (19.13)		486 (19.13)		498.5 (19.63)		498.5 (19.63)		540 (21.26)		498.5 (19.63)		
	Hauteur mm (in)	495 (19.49)	496 (19.53)		502 (19.76)		564 (20.20)		564 (22.20)		622 (24.49)		622 (24.49)		617 (24.29)		617 (24.29)		629 (24.76)		713 (28.07)		
*3 Capacité d'huile de lubrification (Max./Utile)	ℓ	1.6/0.6	2.4 / 1.0		2.4 / 1.0		3.6 / 1.3		3.6 / 1.3		4.7 / 1.8		4.7 / 1.8		5.8 / 2.3		5.8 / 2.3		4.7 / 1.8		5.8 / 2.3		
Capacité d'eau de refroidissement non comprise le radiateur)	ℓ	0.6	0.9		0.9		1.8		1.8		2.0		2.0		2.7		2.7		2.0		2.7		
Capacité de l'alternateur (standard)	A/V	15/12	15/12		15/12		15/12		15/12		15/12		15/12		15/12		15/12		15/12		15/12		

*1: Le poids du moteur est d'après le moteur spécifique VM de la série Yanmar.

*2: Les dimensions du moteur sont d'après le moteur spécifique VM de la série Yanmar avec contre-plaque (VENTILATEUR - Volant moteur).

*3: La contenance de l'huile lubrifiante est d'après le moteur spécifique VM de la série Yanmar avec carter d'huile standard. Veuillez vous assurer d'observer le repère sur la jauge du niveau d'huile (se référer à la page 5 de ce manuel) et de lire le manuel fourni par le fabricant de la machine.

3. Principes de base qui doivent être maintenus pour la manipulation du moteur

3. Principes de base qui doivent être maintenus pour la manipulation du moteur

Observez strictement les règles suivantes afin de prolonger la durée de service de votre moteur.

No.	Items à respecter	Détails et problèmes qui peuvent se produire quand on oublie les instructions
1	Effectuer le rodage quand le moteur est encore nouveau.	Lorsque le moteur est encore nouveau, des applications de charges lourdes peuvent réduire la durée de service du moteur. Observer les instructions suivantes lorsque le moteur est encore nouveau.
2	Veiller à bien chauffer le moteur.	Réchauffer le moteur au ralenti pendant environ 5 minutes après avoir démarré le moteur pour faire pénétrer l'huile de lubrification dans toutes les pièces du moteur. Si le moteur n'est pas assez réchauffé, les pièces rotatives risqueront de s'user remarquablement.
3	Utilisation du combustible avec un cétane d'une valeur supérieure à 45.	Si un combustible de qualité inférieure est utilisé, des erreurs de démarrage se produiront et le moteur émettra une fumée d'échappement blanche bleuâtre.
4	Vidanger le réservoir de combustible.	Avant de faire marcher le moteur, ouvrir le robinet de vidange du réservoir de combustible et enlever les précipitations du combustibles.
5	Utiliser une huile de lubrification de haute qualité	L'emploi d'une huile de lubrification de mauvaise qualité causera le grippage de la chemise du piston, une usure excessive des pièces mobiles et autres ennuis. La durée de service du moteur sera ainsi réduite.
6	Veiller à bien remplacer l'huile de lubrification et l'élément du filtre de lubrification régulièrement.	Intervalle de remplacement de l'huile de lubrification: 1ère fois . . . Après 50 heures 2ème fois et par la suite . . . Toutes les 200 heures. Intervalle de remplacement de l'élément: 1ère fois . . . Après 50 heures. 2ème fois et par la suite . . . Toutes les 400 heures. ⚠ PRECAUTION: <ul style="list-style-type: none">• L'emploi d'une huile de lubrification vieille entraînera une usure rapide des pièces du moteur et causera des ennuis au moteur.• La pression de l'huile tombera si l'élément est usagé ou obstrué par de la poussière. Cela provoquera un grippage dans le palier principal et si de la poussière y pénètre cela l'usera plus rapidement.

3. Principes de base qui doivent être maintenus pour la manipulation du moteur

7	Utiliser de l'eau de pluie ou de robinet propre pour le refroidissement.	L'eau dure des puits produira des dépôts de tartre dans le système de refroidissement de l'eau. Cela diminuera l'efficacité du refroidissement et la température de l'eau de refroidissement s'élèvera trop, provoquant un grippage du piston.
8	Ajouter un agent anti-rouille à l'eau de refroidissement	La rouille dans l'eau de refroidissement non seulement accélérera la corrosion du système mais raccourcira la durée de service du moteur avec perte d'efficacité de refroidissement.
9	Utiliser un anti-gel dans les zones froides	L'anti-gel empêchera l'eau de refroidissement de se congeler et le moteur de présenter des craquelures. Si l'eau de refroidissement se congèle, elle causera des craquelures au bloc-cylindre, radiateur ou pompe d'eau de refroidissement. Par conséquent, si l'anti-gel n'est pas utilisé, veiller à bien vidanger l'eau de refroidissement.
10	Remplacer l'eau de refroidissement tous les ans.	L'eau de refroidissement contaminée présente une efficacité de refroidissement basse et par conséquent la température de l'eau de refroidissement peut augmenter excessivement. Ceci causera le grippage du moteur.
11	Avant chaque opération, toujours contrôler le niveau de refroidissement dans le réservoir auxiliaire d'eau de refroidissement (Moteurs avec réservoir auxiliaire seulement). En outre, vérifier le niveau de l'eau de refroidissement dans le réservoir d'eau de refroidissement au moins une fois par semaine.	Si l'eau de refroidissement est épuisée, la température de l'eau de refroidissement augmentera excessivement et ceci causera un grippage du moteur.
12	Vérifier et régler la tension de la courroie du générateur de chargement/ventilateur.	Une tension de courroie incorrecte ne pourra pas transmettre normalement la puissance de transmission et ceci causera un réchauffement excessif et endommagera la courroie.
13	Ne pas faire marcher le moteur de démarrage pendant plus de 15 sec. de manière continue.	Un emploi continu du moteur de démarrage pendant plus de 15 secondes endommagera le moteur.
14	Observer les conseils indiqués sur les étiquettes de précautions et qui peuvent être appliquées par le constructeur de la machine.	

4. Combustible, huile de lubrification et eau de refroidissement

4. Combustible, huile de lubrification et eau de refroidissement

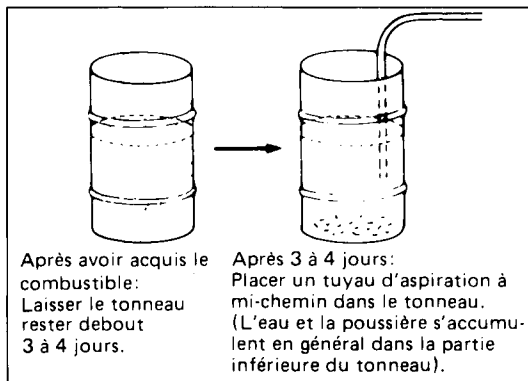
4-1. Sélection et manipulation du combustible

(1) Sélection du combustible

Utiliser un combustible Diesel qui est approprié au moteur. (Utiliser une huile légère avec une valeur de cétane de plus de 45).

(2) Manipulation du combustible

- 1) L'eau et la poussière dans le combustible causeront des défauts du moteur.
- 2) Laisser le tonneau de combustible rester vertical plusieurs jours afin de déposer au fond l'eau et la poussière. Utiliser le combustible qui se trouve à la couche supérieure.



4-2. Choix et remplissage de l'huile de graissage

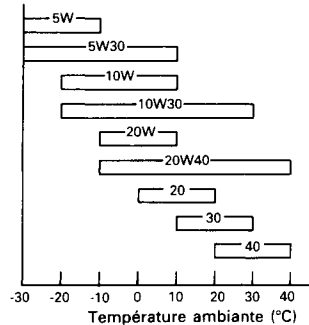
(1) Sélection

Rien n'influence plus le rendement et la durabilité de votre moteur que l'huile de lubrification utilisée. Si une huile inférieure est employée, ou si l'huile du moteur n'est pas changée régulièrement, il y aura augmentation des risques de grippage de piston, de calage des segments de piston et une usure accélérée de la chemise de cylindre, des roulements ou autres composants mobiles. Et dans ce

cas la durée de service du moteur sera raccourcie remarquablement. Yanmar recommande l'huile CC/CD de "API Engine Service Classification".

HUILE POUR MOTEUR

YANMAR recommande l'huile CC ou CD du classement d'entretien pour moteurs A.P.I. (Institut américain du pétrole). Utiliser toujours une huile avec une viscosité appropriée à la température ambiante dans laquelle le moteur doit être utilisé. Employer le graphique ci-dessous lors du choix de l'huile pour le moteur.



(2) Approvisionnement en huile de graissage au carter-moteur

Retirer le bouchon de l'orifice de remplissage (jaune) pour approvisionner en huile de graissage le carter-moteur.



Introduire la jauge de niveau d'huile dans l'orifice et vérifier si l'huile arrive jusqu'à la limite supérieure de la jauge à huile.



4. Combustible, huile de lubrification et eau de refroidissement

PRECAUTION:

- Une certaine période de temps s'écoulera avant que l'huile de lubrification fournie à partir de l'orifice de remplissage ne remplisse complètement le carter-moteur. Attendre environ 3 minutes puis vérifier de nouveau le niveau d'huile.
- Lorsque l'on vérifie l'huile, veiller à ce que le moteur soit bien placé à niveau. Il sera difficile de prendre une lecture correcte du niveau si le moteur est incliné.
- La quantité d'huile de lubrification dans le carter-moteur diminue au cours du rodage d'un moteur nouveau, car l'huile s'étend au refroidisseur d'huile de lubrification et la tuyauterie d'huile de lubrification. Interrompre immédiatement le fonctionnement du moteur et attendre pendant environ 3 minutes avant de recontrôler le niveau d'huile.
- Ne jamais oublier de remplir le carter-moteur d'huile de graissage de manière à ce que le niveau soit au-dessus du repère de la limite supérieure de la jauge du niveau d'huile.

4-3. Eau de refroidissement

(1) Manipulation de l'eau de refroidissement

- 1) Utiliser l'eau de robinet propre (avec un agent anti-rouille).

PRECAUTION:

L'eau dure des puits ou l'eau de mer provoquera de la rouille au système d'eau de refroidissement. Ceci réduira l'efficacité de refroidissement et pourra causer un réchauffement excessif.

2) Utilisation d'un anti-gel

Utiliser de l'anti-gel au cas où l'on prévoit que la température tombera en dessous du point de congélation. L'usage d'un anti-gel éliminera la nécessité de vidange quotidien de l'eau de refroidissement. Pour une bonne sécurité, choisir une température qui est d'environ 5°C plus basse que la température minimum de la localité où l'on utilise ce moteur, puis décider le rapport de mélange selon les instructions données par le fabricant d'anti-gel.

PRECAUTION:

- Pour utiliser la solution anti-gel, vidanger tout d'abord complètement l'eau de refroidissement du radiateur et du moteur, puis verser le mélange de l'anti-gel jusqu'à la bouche de l'orifice de remplissage de l'eau de refroidissement du radiateur. Faire marcher le moteur pendant environ 30 minutes pour mélanger complètement la solution anti-gel avec l'eau, puis remiser le moteur.
- Pour les instructions concernant la vidange de l'eau de refroidissement, se référer à la page 17.
- L'anti-gel est d'ordinaire efficace pendant un an. Se référer aux instructions données par le fabricant de l'anti-gel.

- 3) Si l'on n'utilise pas l'anti-gel en hiver, vidanger l'eau de refroidissement du radiateur et du cylindre après chaque opération.

4. Combustible, huile de lubrification et eau de refroidissement

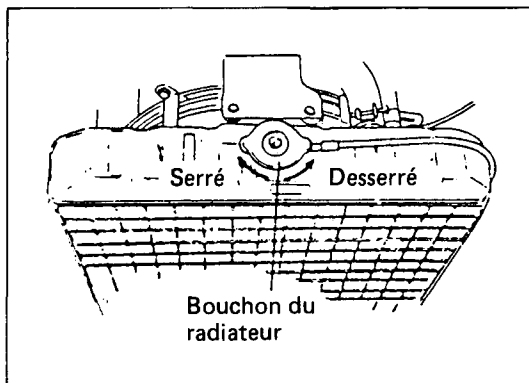
⚠ PRECAUTION:

Si on laisse l'eau de refroidissement dans le moteur, elle risquera de se congeler et causer des craquelures au radiateur, à la pompe d'eau de refroidissement et au cylindre.

(2) Vérification et fourniture de l'eau de refroidissement

1) Approvisionnement d'eau au radiateur

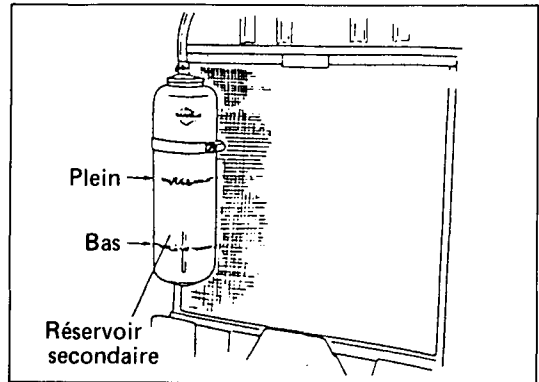
Retirer le bouchon à la partie supérieure du radiateur de manière à y ajouter de l'eau de refroidissement. Le bouchon peut être enlevé en le tournant d'environ 120 degrés dans le sens inverse des aiguilles d'une montre. Avant d'effectuer le rodage du moteur, remplir avec de l'eau de robinet propre jusqu'à la bouche de l'orifice de remplissage. Pour serrer, introduire le bossage postérieur du bouchon dans la rainure de l'orifice de remplissage et tourner en appuyant sur le bouchon dans le sens des aiguilles d'une montre.



2) Vérification et remplissage avec de l'eau de refroidissement (Moteurs avec un réservoir auxiliaire)

Vérifier le niveau de l'eau de refroidissement par rapport aux repères "Full" (plein) et "Low" (bas) indiqués sur le réservoir auxiliaire.

Retirer le bouchon à la partie supérieure pour faire le plein. Remplir jusqu'au repère "Full" (plein).



(3) Vidange de l'eau de refroidissement

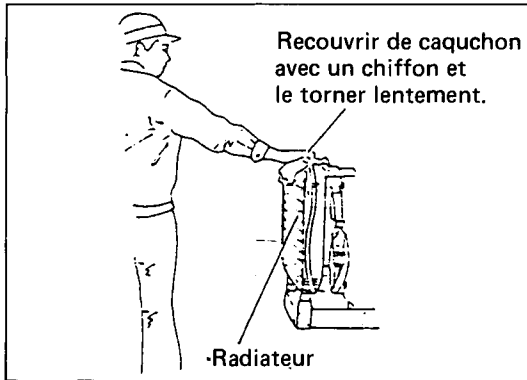
⚠ AVERTISSEMENT:

L'eau de refroidissement gèle sous une température froide si une solution anti-gel ou une quantité appropriée d'un mélange anti-gel n'est pas utilisée. Assurez-vous de vidanger l'eau de refroidissement après avoir arrêté le moteur. De même, vidangez complètement l'eau de refroidissement avant de remettre pendant une longue période de temps. Sinon, l'eau dans le cylindre risque de geler et de fissurer ce dernier.

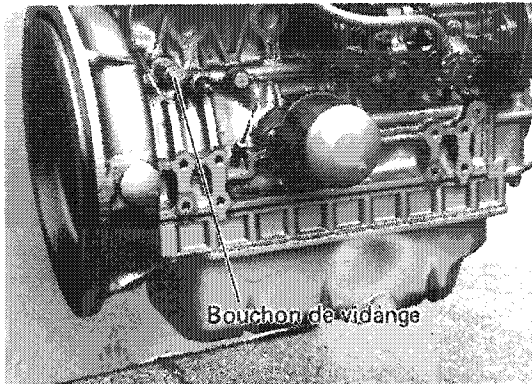
- Avant de vidanger l'eau de refroidissement, enlever le capuchon de pression du radiateur. Si ce capuchon n'est pas enlevé, la vidange sera difficile à exécuter et risquera d'être incomplète.
- Le moteur doit être froid.
Eviter de se brûler lorsque l'on enlève le capuchon de pression. Eloigner sa face du capuchon, le recouvrir avec un vieux chiffon, allonger son bras et tourner lentement le capuchon afin de réduire la pression à l'intérieur du radiateur.

4. Combustible, huile de lubrification et eau de refroidissement

5. Rodage



- 1) Desserrer le bouchon de vidange du côté du corps du cylindre pour vidanger l'eau du cylindre.



5. Rodage

Faire fonctionner le nouveau moteur en respectant les procédures suivantes.

5-1. Combustible

Fournir du combustible au réservoir de combustible.

⚠ PRECAUTION:

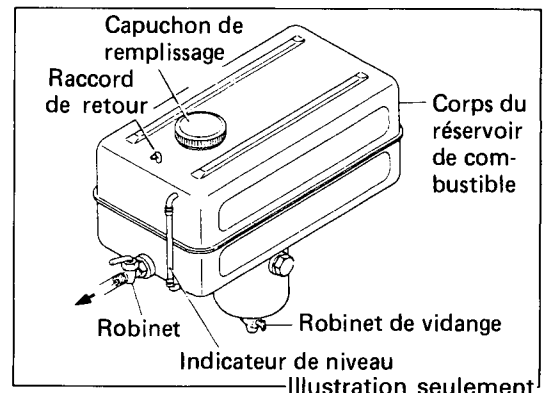
Pour éviter tout débordement de combustible, remplir jusqu'à 80 à 90% de la capacité du réservoir.

Au cours des opérations ultérieures du moteur, respecter les instructions suivantes:

(1) Vidange du réservoir de carburant

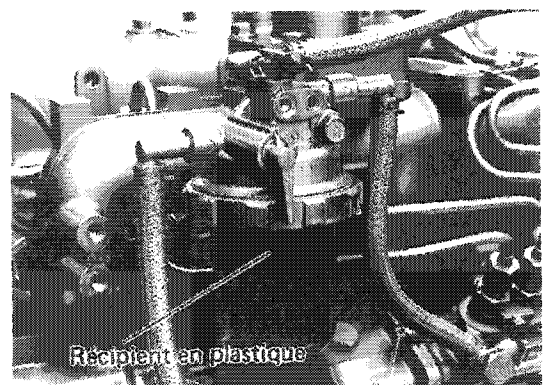
Même lorsque l'on utilise seulement le combustible provenant de la couche supérieure du tonneau de combustible, il y aura cependant un peu d'impuretés composées de poussières et d'eau. Ces impuretés doivent être éliminées avant d'atteindre les pièces internes du moteur.

Veiller à bien installer un collecteur de précipitations et un robinet de vidange au fond du réservoir de combustible. Avant d'utiliser le moteur, ouvrir le robinet et éliminer les sédiments de combustible.



(2) Vidange du filtre de combustible

Avant les opérations, vérifier s'il y a de l'eau ou de la poussière dans le récipient en plastique transparent du filtre de combustible. Si le dépôt de poussière est considérable, démonter et nettoyer le filtre. (Suivre cette instruction avec les modèles de moteur ayant un collecteur d'eau).



5. Rodage

- (3) Ne pas fournir de combustible pendant que le moteur est en marche.

⚠ AVERTISSEMENT:

Pour éviter tout risque d'incendie, interrompre le fonctionnement du moteur avant de faire le plein.

5-2. Purge du circuit de gazole

Purger le circuit de gazole selon la procédure suivante. Lorsqu'il y a de l'air dans le circuit de gazole, la pompe d'injection de gazole est empêchée de fonctionner.

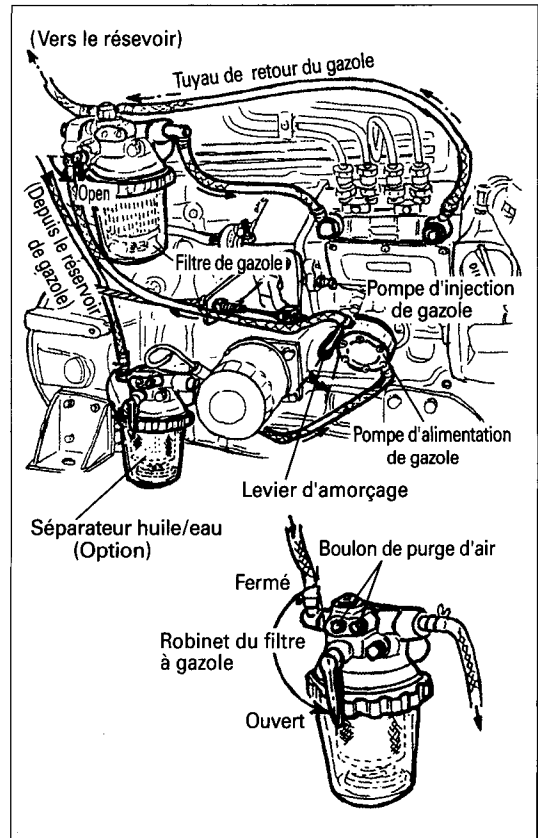
- (1) Vérifier la quantité de gazole dans le réservoir. Si elle est insuffisante, remplir à nouveau.
- (2) Ouvrir les robinets du séparateur huile/eau et du filtre de gazole.
- (3) Desserrer le boulon de purge d'air en haut du séparateur huile/eau en le tournant 2 - 3 fois avec un tournevis.
- (4) Lorsque le gazole sortant de l'orifice de purge d'air est clair et sans aucune bulle, resserrer le boulon de purge.
- (5) Envoyer le gazole avec la pompe d'injection de gazole.

Pompe d'injection de gazole électromagnétique

Lorsque la clé du démarreur est sur ON, la pompe d'injection de gazole commence à fonctionner et la purge du circuit de gazole s'effectue automatiquement.

Pompe d'injection de gazole mécanique

Actionner le levier sur le côté de la pompe d'injection de gazole de haut en bas pour envoyer le gazole. Continuer jusqu'à ce que le niveau du gazole à l'intérieur du filtre monte, ce qui purge le circuit.



5. Rodage

6. Fonctionnement du moteur

5-3. Lubrification des pièces du moteur

- (1) Lubrifier le levier de régulation de vitesse.

5-4. Comment distribuer l'huile de lubrification

Si l'on utilise le moteur après une longue période d'inactivité (pour plus d'un mois), il sera nécessaire de faire circuler l'huile de lubrification de la manière suivante, avant de reprendre les opérations normales du moteur.

- (1) Déconnecter la machine.
(Interrompre l'embrayage).
- (2) Déplacer le levier de l'accélérateur sur la position d'arrêt "STOP".
- (3) Régler la clef du démarreur sur la position de démarrage "START" et faire marcher le moteur pendant environ 15 secondes.
- (4) Attendre pendant environ 15 à 20 secondes, puis faire marcher le moteur de nouveau pendant 15 autres secondes. (Répéter cette procédure 2 ou 3 fois).

5-5. Contrôle des lampes-témoin

Vérifier que les lampes-témoin du tableau de bord soient telles qu'indiquées ci-dessous lorsque la clé du démarreur est mise en marche et que le moteur n'est pas en train de fonctionner.

Lamp témoin	Lampe d'alarme de pression basse d'huile le lubrification	Allumée
	Lampe de charge	Allumée
	Lampe d'alarme de température de l'eau de refroidissement	Eteinte

Si un tableau de bord Yanmar est installé.

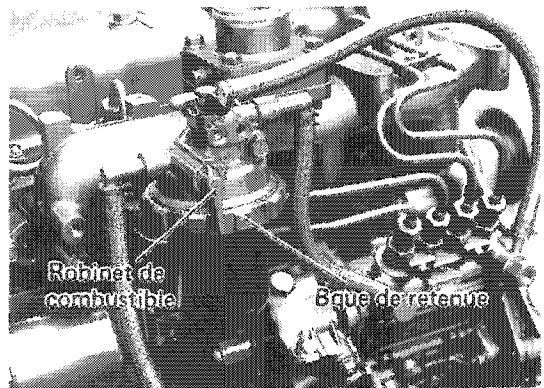
6. Fonctionnement du moteur

Nettoyer l'emplacement autour du moteur. Enlever les outils ou autres obstacles du voisinage du volant, des pièces rotatives et du sommet du moteur.

Avant de faire marcher le moteur, vérifier s'il n'y a pas d'obstacles autour du moteur, surtout autour des pièces rotatives.

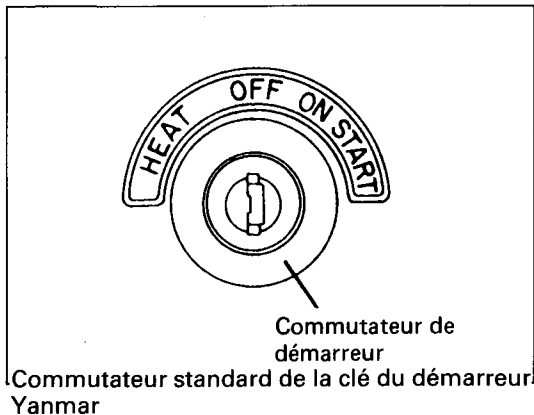
6-1. Démarrage

- (1) Déconnecter la machine.
- (2) Tourner le robinet de combustible sur la position d'ouverture "OPEN".



- (3) Pour les modèles avec collecteur d'eau, tourner le robinet et le robinet de combustible sur la position d'ouverture "OPEN".
- (4) Tourner le levier de l'accélérateur sur la position de démarrage/marche "START/RUN".
- (5) Tourner la clef du commutateur du démarreur sur la position de démarrage "START" pour démarrer le moteur.

6. Fonctionnement du moteur



Une fois que le moteur a démarré, relâcher la clef. Celle-ci retournera automatiquement sur la position "ON" (en fonctionnement).

(Ne pas déconnecter le commutateur de la batterie même si le moteur a démarré). Sur la position "ON", les indicateurs du tableau des instruments se mettent à fonctionner.

⚠ PRECAUTION:

Protection de la batterie

Ne pas faire marcher le moteur du démarreur pendant plus de 15 secondes à chaque fois. Si le moteur ne peut démarrer, attendre environ 30 secondes avant d'utiliser le démarreur.

Redémarrage du moteur

Veiller à bien vérifier si le volant s'est arrêté complètement avant de tourner le commutateur du démarreur sur la position de démarrage "START".

- On risque d'endommager le moteur de démarrage ou le volant si l'on actionne le commutateur du démarreur pendant que le volant est en mouvement.
- Les moteurs avec un relais de sécurité au circuit ne peuvent pas démarrer de nouveau à moins que le commutateur du démarreur n'ait été déconnecté une fois depuis le démarrage du moteur du démarreur.

Démarrage par temps froid

- Tourner la clef du démarreur dans le sens contraire des aiguilles d'une montre sur la position "HEAT" (ou "GLOW") et la maintenir sur cette position pendant environ 15 à 20 secondes.
- Puis, remettre la clef du démarreur sur la position "START" (démarrage) pour démarrer le moteur.

6-2. Précautions après le démarrage du moteur

Une fois que le moteur a démarré, respecter les instructions suivantes (la machine doit rester déconnectée):

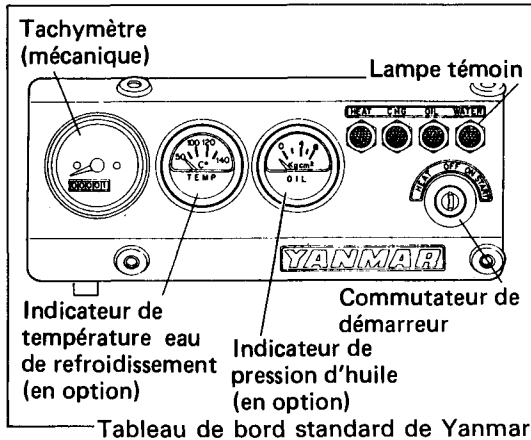
- (1) Chauffer le moteur pendant plus de 5 minutes.

⚠ PRECAUTION:

- L'huile de lubrification ne s'étendra pas complètement au roulement principal et aux autres pièces mobiles pendant une certaine période après le démarrage. Pour protéger ces pièces contre l'usure, il sera nécessaire de faire marcher le moteur au ralenti pendant environ 5 minutes.
- Pour le rodage, faire marcher le moteur à basse vitesse pendant environ 15 à 20 minutes.

- (2) Augmenter la vitesse du moteur à plus de 800 tours/minute et vérifier si la lampe témoin d'alarme de pression basse d'huile et la lampe témoin de charge sont éteintes.

6. Fonctionnement du moteur



⚠ AVERTISSEMENT:

Si les témoins d'avertissement ne s'éteignent pas encore lorsque le régime du moteur s'élève au-dessus de 1000 tr/min., le moteur est défectueux. Dans ce cas, arrêtez immédiatement le moteur et contactez votre revendeur Yanmar le plus proche.

6-3. Précautions durant le fonctionnement du moteur

Durant le fonctionnement du moteur, vérifier les points suivants une ou deux fois par jour.

(1) Couleur du gaz d'échappement

La couleur noire des gaz d'échappement indique que le moteur est soumis à un effort ou qu'il est fatigué. Si on continue à le faire fonctionner, cela diminuera sa longévité. Arrêter le fonctionnement du moteur lorsque des gaz d'échappement noirs sont émis.

(2) Fuite d'eau et d'huile

Vérifier s'il n'y a pas de fuites d'eau, d'huile ou de gaz de combustion, des boulons desserrés ou un bruit anormal, des vibrations excessives ou une surchauffe du moteur. Si l'on observe n'importe quelle anomalie, arrêter le moteur et contacter le revendeur Yanmar le plus proche.

(3) Eviter le fonctionnement dans la gamme de résonance

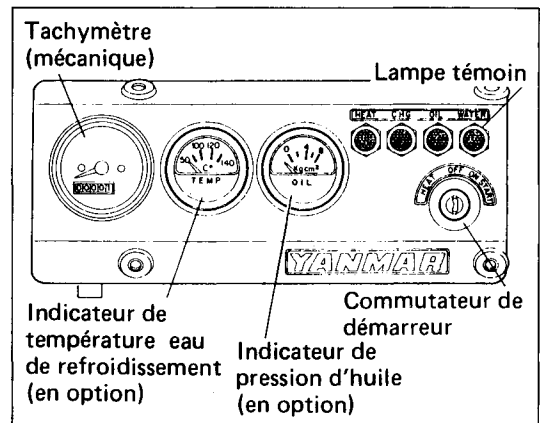
⚠ AVERTISSEMENT:

Selon le type de machine entraînée, les vibrations du moteur seront excessives à une certaine gamme de vitesse à cause de la résonance du moteur avec le banc du moteur. Dans ce cas il est nécessaire d'éviter le fonctionnement du moteur dans cette gamme.

(4) Lampes d'alarme

• Lampe témoin de pression basse d'huile ("OIL")

Si la lampe d'alarme de pression basse d'huile s'allume ou s'éteint pendant que le moteur marche à une vitesse supérieure au ralenti, vérifier si l'huile de lubrification est à un niveau excessivement bas. Sinon, cela signifie qu'il y a un fait anormal dans le circuit d'huile de lubrification. Un fonctionnement continu causera le grippage du moteur. Interrompre immédiatement la marche du moteur et consulter le distributeur Yanmar.



(Note):

Pour vérifier le niveau de l'huile de lubrification, interrompre le moteur et attendre pendant plus de 3 minutes.

6. Fonctionnement du moteur

● Lampe témoin de charge ("CHG")

Si le témoin d'avertissement de charge s'allume ou reste éclairé pendant que le moteur est en train de tourner à plus de 800 tr/min., c'est qu'il y a un défaut soit dans le circuit de charge soit à la courroie du ventilateur (patinage ou endommagement). Arrêtez le moteur et vérifiez. Si la courroie du ventilateur fonctionne correctement, contactez alors votre revendeur Yanmar le plus proche.

● Lampe témoin de température de l'eau de refroidissement

Si pendant une opération de charge le témoin d'avertissement de l'eau de refroidissement reste allumé, le moteur est surchauffé. Dans ce cas, arrêtez immédiatement le moteur et vérifiez la tension de la courroie du ventilateur ainsi que le niveau de l'eau de refroidissement. Si tous deux sont corrects, contactez alors votre revendeur Yanmar le plus proche.

AVERTISSEMENT:

- Ne pas contrôler le niveau de l'eau de refroidissement pendant que le radiateur est encore chaud. De la vapeur ou de l'eau chaude peut s'échapper violemment si le bouchon du radiateur est enlevé immédiatement après que le moteur s'est arrêté.
- Lorsque l'on enlève le bouchon du radiateur, éloigner sa figure et recouvrir le bouchon avec un chiffon. Tourner le bouchon lentement pour libérer la pression du radiateur.

(5) Bruits anormaux

Si un bruit anormal est entendu pendant la marche du moteur, arrêtez aussitôt le moteur et localisez la cause du bruit. Si vous ne pouvez la situer, contactez votre revendeur Yanmar le plus proche.

6-4. Arrêt du moteur

(1) Faire marcher le moteur au ralenti avant de l'interrompre.

- 1) Pour interrompre la marche du moteur, déconnecter la machine et faire marcher le moteur au ralenti pendant environ 5 minutes.
- 2) Ramener en arrière le levier de régulation de vitesse sur la position "Continuous use" (utilisation continue). Il sera nécessaire d'augmenter une fois encore la vitesse du moteur de manière à décharger le carbone doux du cylindre.
- 3) Diminuer le régime du moteur à la vitesse du ralenti le plus réduit, et couper l'arrivée du carburant pour arrêter le moteur.

PRECAUTION:

Si le moteur est arrêté immédiatement après avoir retiré une charge, la température des pièces du moteur s'élèvera brusquement, provoquant une panne ou un dérangement du moteur.

Faire toujours tourner le moteur sans charge et à faible vitesse pendant environ 5 minutes.

(2) Après l'arrêt du moteur

Après avoir interrompu la marche du moteur, fermer le robinet de combustible ou le robinet du séparateur huile/eau.

(3) Eliminer toute trace de poussière et de terre et nettoyer le moteur.

(4) Déconnecter le commutateur de la batterie (si le moteur est équipé de ce commutateur).

(5) Retirer la clef du démarreur.

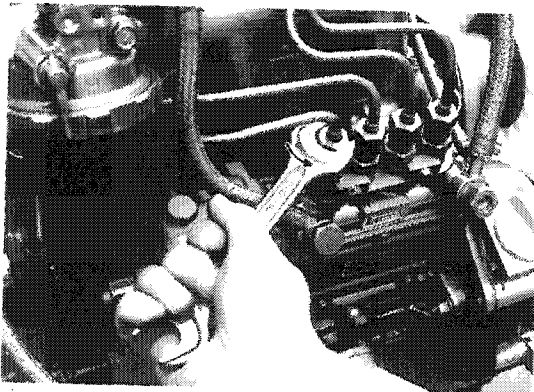
6. Fonctionnement du moteur

AVERTISSEMENT:

Arrêt d'urgence

Si le moteur ne peut pas être arrêté avec le levier de l'accélérateur sur la position d'arrêt et si le moteur continue à fonctionner à grande vitesse, interrompre le fonctionnement du moteur de la manière suivante:

- (a) Bloquer l'alimentation d'air.
- (b) Fermer le robinet de carburant.
- (c) Desserrer tous les écrous, soit sur le côté de la pompe d'injection soit sur le côté de l'injecteur de carburant. Cela coupera l'alimentation en carburant et le moteur s'arrêtera.



En pareils cas, contacter le revendeur Yanmar le plus proche pour qu'il localise les causes du problème et que le moteur soit réparé.

7. Entretien et contrôles périodiques

7. Entretien et contrôles périodiques

L'entretien et les contrôles périodiques sont essentiels pour conserver le moteur

durable et en bon état. Le diagramme indiqué ci-après décrit les contrôles et l'intervalle d'exécution de ces contrôles.

○: Vérifier ⊙: Remplacer ●: Consulter le revendeur local

Article	Teneur	Durée d'intervalle					
		Quotidien nement	Toutes les 50 heures	Toutes les 200 heures	Toutes les 400 heures	Toutes les 1000 heures	Toutes les 2000 heures
Carburant Diesel	Vérifier le niveau du carburant et faire le plein si c'est nécessaire	○					
	Vidanger le réservoir de carburant		○				
	Nettoyer le séparateur d'huile/eau		○				
	Remplacer l'élément du filtre du carburant				⊙		
Huile de graissage	Vérifier la quantité de l'huile de graissage	○					
	Remplacer l'huile de graissage		⊙ 1 ^{ère} fois	⊙ 2 ^{ème} fois et par la suite			
	Remplacer l'élément du filtre de l'huile de graissage		⊙ 1 ^{ère} fois	⊙ 2 ^{ème} fois et par la suite			
Eau de refroidissement	Vérifier le niveau de l'eau de refroidissement et remplir si c'est nécessaire	○					
	Nettoyer les ailettes du radiateur			○			
	Vérifier la tension de la courroie trapézoïdale		○ 1 ^{ère} fois	○ 2 ^{ème} fois et par la suite			
	Remplacer l'eau de refroidissement						
	Nettoyer et vérifier le passage de l'eau de refroidissement					⊙	
Durite en caoutchouc	Vérifier & remplacer le tuyau du carburant Diesel, le tuyau de l'eau de refroidissement						●
Système du fonctionnement	Vérifier & ajuster la manette du régulateur et l'accélérateur	○		○			●
Système d'admission	Nettoyer le filtre à air & remplacer l'élément			○	⊙		
	Vérifier et régler le turbo-compresseur					●	
Equipement électrique	Vérifier les dispositifs et les témoins d'avertissement	○					
	Vérifier le niveau de l'électrolyte de la batterie et remplir si c'est nécessaire		○				
Culasse	Régler le jeu des soupapes d'admission et d'échappement					●	
	Roder les soupapes d'admission et d'échappement						●
Pompe d'alimentation en carburant & soupape injectrice	Vérifier et nettoyer le gicleur de l'aiguille d'injection du carburant					●	
	Vérifier et régler la pression d'injection du carburant et la condition de pulvérisation					●	
	Vérifier et régler la pompe d'alimentation en carburant						●

7. Entretien et contrôles périodiques

7-1. Contrôle et réglage du système de combustible

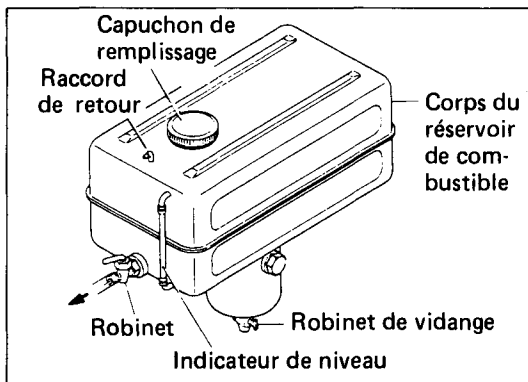
(1) Contrôle du niveau de combustible et fourniture de combustible

Fournir du combustible propre au réservoir de combustible.

Intervalle de contrôle	Chaque jour
------------------------	-------------

(2) Vidange du réservoir de combustible

Ouvrir le robinet de vidange au fond du réservoir et vidanger les sédiments.



Intervalle	Une fois par mois
------------	-------------------

(3) Vidange du filtre de combustible, nettoyage et remplacement de l'élément

Vidange

Retirer la partie inférieure du logement du filtre du carburant et en extraire l'eau et la poussière.

Intervalle de contrôle	Toutes les 200 heures
------------------------	-----------------------

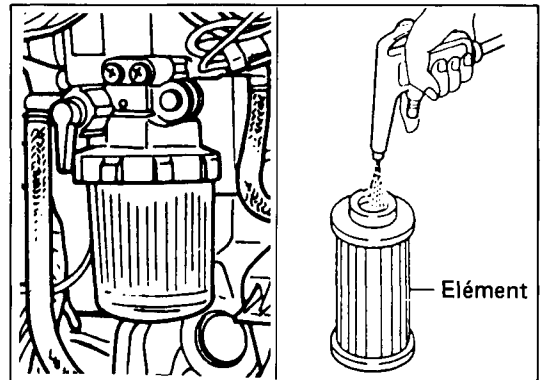
Nettoyage et remplacement de l'élément

Retirer la partie inférieure du logement du filtre du carburant et nettoyer, ou remplacer l'élément.

Intervalle de contrôle	Nettoyage Toutes les 200 heures
	Remplacer Toutes les 400 heures

Pour enlever l'élément, détacher la bague de retenue du filtre de combustible.

Nettoyer l'élément avec de l'huile légère et appliquer du l'air comprimé (2 à 3 kg/cm²) à travers l'élément pour enlever la poussière.



⚠ PRECAUTION:

Ne pas utiliser de l'essence pour nettoyer l'élément.

En outre enlever la poussière et l'eau qui se sont déposées au fond de la trappe dans le filtre de combustible.

(4) Séparateur huile/eau (Séparateur de sédiments): en option

Suivre les mêmes instructions que pour le filtre de combustible.

7-2. Système d'huile de lubrification

(1) Vérification du niveau de l'huile dans le carter-moteur.

7. Entretien et contrôles périodiques

Avant de faire fonctionner le moteur, retirer la jauge de niveau d'huile et vérifier que le niveau de l'huile se trouve entre les limites supérieure et inférieure. Si la quantité d'huile est insuffisante, en rajouter.

Intervalle de contrôle	Chaque jour (avant les opérations)
------------------------	------------------------------------

(2) Remplacement de l'huile de lubrification

Il est recommandé de vidanger l'huile de lubrification pendant que le moteur est encore chaud. Remplacer l'huile de lubrification de la manière suivante:

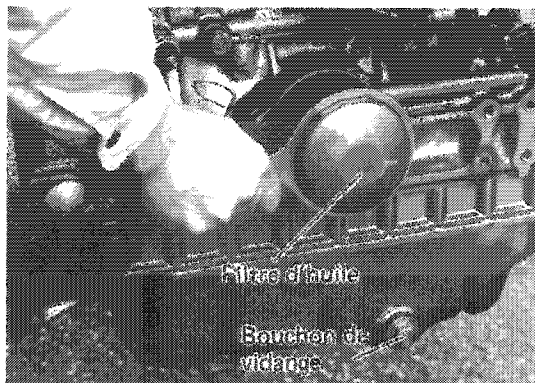
Intervalle de remplacement	1ère fois: Toutes les 50 heures
	2ème fois et par la suite: Toutes les 200 heures

⚠ PRECAUTION:

Remplacer l'huile de lubrification plus fréquemment lorsque le moteur est utilisé dans une ambiance poussiéreuse.

(3) Remplacement du filtre d'huile de lubrification

Enlever le filtre et le remplacer.



Intervalle de remplacement	1ère fois: Toutes les 50 heures
	2ème fois et par la suite: Toutes les 400 heures

⚠ PRECAUTION:

Remplacer le filtre plus fréquemment lorsque le moteur est utilisé dans une ambiance poussiéreuse.

7-3. Système d'eau de refroidissement

(1) Contrôle du niveau de l'eau de refroidissement

(Moteurs avec réservoir auxiliaire)

Les contrôles quotidiens du niveau de l'eau de refroidissement peuvent s'effectuer en observant le niveau de l'eau. Si le niveau est bas, remplir jusqu' à la limite "FULL" (plein). Puis emmancher à force le couvercle.

Note:

- Contrôler le niveau d'eau de refroidissement lorsque le moteur est froid. L'eau de refroidissement du radiateur s'écoule vers le réservoir auxiliaire lorsque le moteur est encore chaud, et ceci rend impossible les contrôles.
- Vérifier le radiateur et les durites pour des fuites.

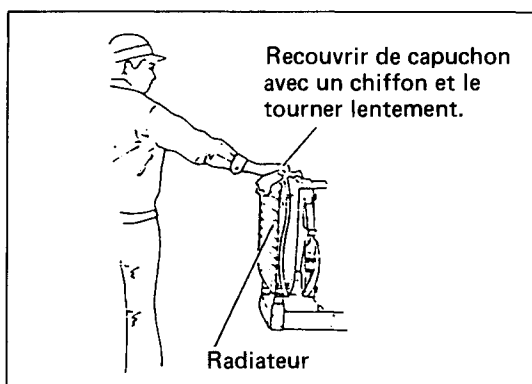
(Moteurs sans réservoir auxiliaire)

Enlever le bouchon du radiateur et vérifier le niveau de l'eau.

7. Entretien et contrôles périodiques

⚠ AVERTISSEMENT:

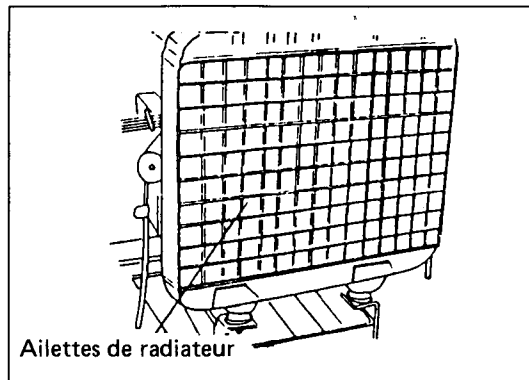
- Ne pas contrôler le niveau de l'eau de refroidissement pendant que le radiateur est encore chaud. De la vapeur ou de l'eau chaude peut s'échapper violemment si le bouchon du radiateur est enlevé immédiatement après que le moteur s'est arrêté.
- Lorsque l'on enlève le bouchon du radiateur, éloigner sa figure et recouvrir le bouchon avec un chiffon. Tourner le bouchon lentement pour libérer la pression du radiateur.



Intervalle de contrôle	Chaque jour
------------------------	-------------

- (2) Vérifier si l'ailette de l'élément du radiateur et l'écran du radiateur ne sont pas obstrués.

Si les ailettes sont obstruées, appliquer de l'air comprimé aux ailettes ou rincer avec de l'eau pour enlever la poussière. L'obstruction des ailettes du radiateur causera une surchauffe du moteur.



- (3) Remplacement de l'eau de refroidissement

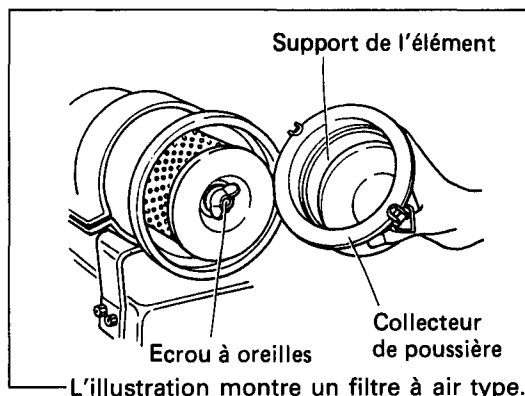
Si l'eau de refroidissement est contaminée, l'efficacité de l'agent anticorrosif sera diminuée.

Intervalle de remplacement	Chaque année
----------------------------	--------------

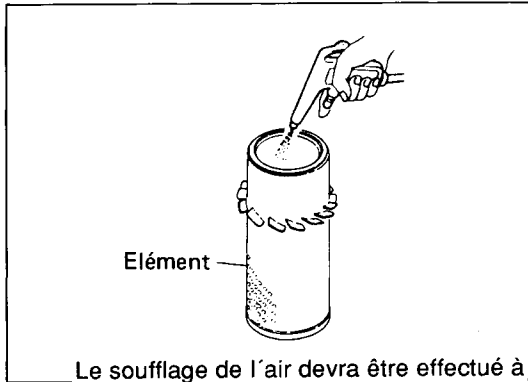
7-4. Système d'admission d'air

- (1) Nettoyage du filtre à air

- 1) Démontez le filtre à air de façon à retirer l'élément du filtre à air. Puis, soufflez de l'air comprimé. Soufflez de l'air comprimé (3 à 5 kg/cm²) à travers l'élément pour en retirer la poussière. Remontez le filtre à air dans l'ordre inverse.



7. Entretien et contrôles périodiques



Le soufflage de l'air devra être effectué à partir de l'intérieur.

- 2) Retirer le support de l'élément du collecteur de poussière et enlever la poussière de la pièce de retenue si le filtre à air est du même type que celui de l'illustration.

⚠ PRECAUTION:

- Si le moteur doit fonctionner dans un endroit poussiéreux, nettoyer l'élément toutes les 50 heures.
- Pour enlever la poussière, ne pas frapper l'élément contre un objet solide. L'élément risque d'être déformé ou endommagé et d'aspirer de la poussière à travers les fentes.
- Ne pas percer l'élément ou faire marcher le moteur sans installer l'élément. (La poussière cause une usure rapide des pièces internes du moteur).

⚠ PRECAUTION:

- Ne pas contaminer l'élément avec de l'huile, etc.

7-5. Contrôle du corps du moteur

(1) Corps du moteur

Pour la vérification et le réglage des points suivants, contactez votre revendeur Yanmar le plus proche.

Contrôles et réglages	Intervalle de service
Réglage du jeu des soupapes d'échappement	Toutes les 1000 heures

(2) Lubrification du levier de régulation de vitesse.

Lubrifier la biellette du régulateur pour assurer un fonctionnement aisé.

Intervalle de lubrification	Chaque jour (avant les opérations)
-----------------------------	------------------------------------

7-6. Contrôle de l'équipement électrique

Contrôle des lampes témoin

Vérifiez si les témoins d'avertissement fonctionnent correctement. S'il y a n'importe quelle anomalie, arrêtez immédiatement le moteur et contactez votre revendeur Yanmar le plus proche.

Intervalle de contrôle	Chaque jour
------------------------	-------------

7. Entretien et contrôles périodiques

Lorsque le commutateur à clef est en contact:

1) Si le moteur n'est pas en fonctionnement

Lampes d'alarme	Lampe d'alarme de pression basse d'huile	Allumée
	Lampe d'alarme de charge	Allumée
	Lampe d'alarme de température d'eau de refroidissement	Eteinte

2) Pendant que le moteur est en marche

Lampes d'alarme	Lampe d'alarme de pression basse d'huile	Eteinte
	Lampe d'alarme de charge	Eteinte
	Lampe d'alarme de température d'eau de refroidissement	Eteinte

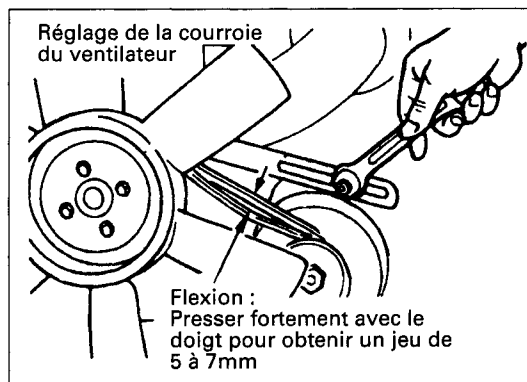
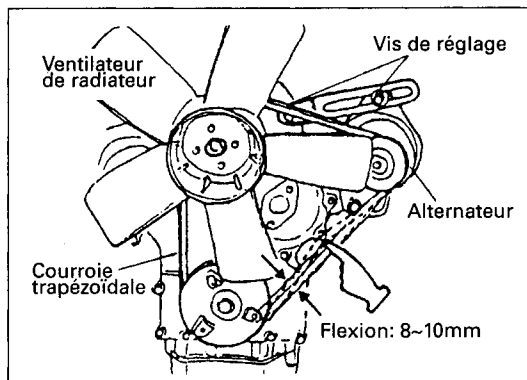
Le tableau ci-dessus n'est effectif que sur un panneau standard Yanmar.

7-7. Contrôle et réglages de la tension de la courroie du ventilateur

Une tension excessive de la courroie en "V" accélérera l'usure de la courroie et une tension insuffisante ne produira pas de puissance à la poulie tout en causant la sur-chauffe du moteur. Régler la tension de la courroie de la manière suivante:

- (1) Desserrer le boulon de réglage et déplacer le générateur de charge vers l'extérieur pour augmenter la tension, ou le déplacer vers l'intérieur pour réduire la tension.
- (2) Ne pas laisser de l'huile entrer en contact avec la courroie. La courroie risque de glisser si elle est souillée par de l'huile.

Flexion de la courroie	8 à 10 (5 à 7)mm
Intervalle de contrôle	1ère fois Toutes 50 heures 2ème fois et par la suite Toutes les 200 heures



8. Mise au dépôt pour une longue période de temps

8. Mise au dépôt pour une longue période de temps

- (1) Ranger le moteur dans un emplacement bien ventilé loin de la poussière et de l'humidité.
- (2) Suivre soigneusement ces instructions lorsque l'on range le moteur pour une longue période de temps (3 mois ou davantage):
 - 1) Eliminer la boue, l'huile, etc., de la surface du moteur.
 - 2) Changer l'huile du moteur.
Changer le filtre d'huile de lubrification.
 - 3) Faire marcher le moteur une fois par mois lorsque cela est possible. Sinon suivre ces instructions à partir du début de la mise au dépôt, et par la suite tous les 6 mois.
 - Enlever les soupapes d'injection de combustible des cylindres. Fournir à chaque chambre de combustion environ 2 cm³ d'huile propre pour moteur en utilisant une boîte d'huile. Fixer et serrer les soupapes d'injection.
 - Tourner le levier de l'accélérateur sur la position d'arrêt "STOP".
 - Tourner la clef du démarreur. Actionner le moteur pendant 10 secondes de telle manière que les parois de cylindre puissent être huilées uniformément.
 - 4) Laisser l'eau de refroidissement avec l'anti-gel dans cet état, à condition que l'anti-gel ne soit pas trop vieux.
 - 5) Appliquer une mince couche d'huile propre sur n'importe quelle surface à découvert du moteur.

6) Recouvrir le silencieux d'échappement, le filtre à air, etc. avec une feuille de plastique pour empêcher l'air humide de pénétrer dans le moteur. Protéger soigneusement le système électrique contre l'humidité de la même manière.

7) Enlever les batteries du moteur et les charger complètement avant de les ranger. En outre charger les batteries chaque mois au cours du dépôt, car celles-ci se déchargent naturellement (auto-décharge).

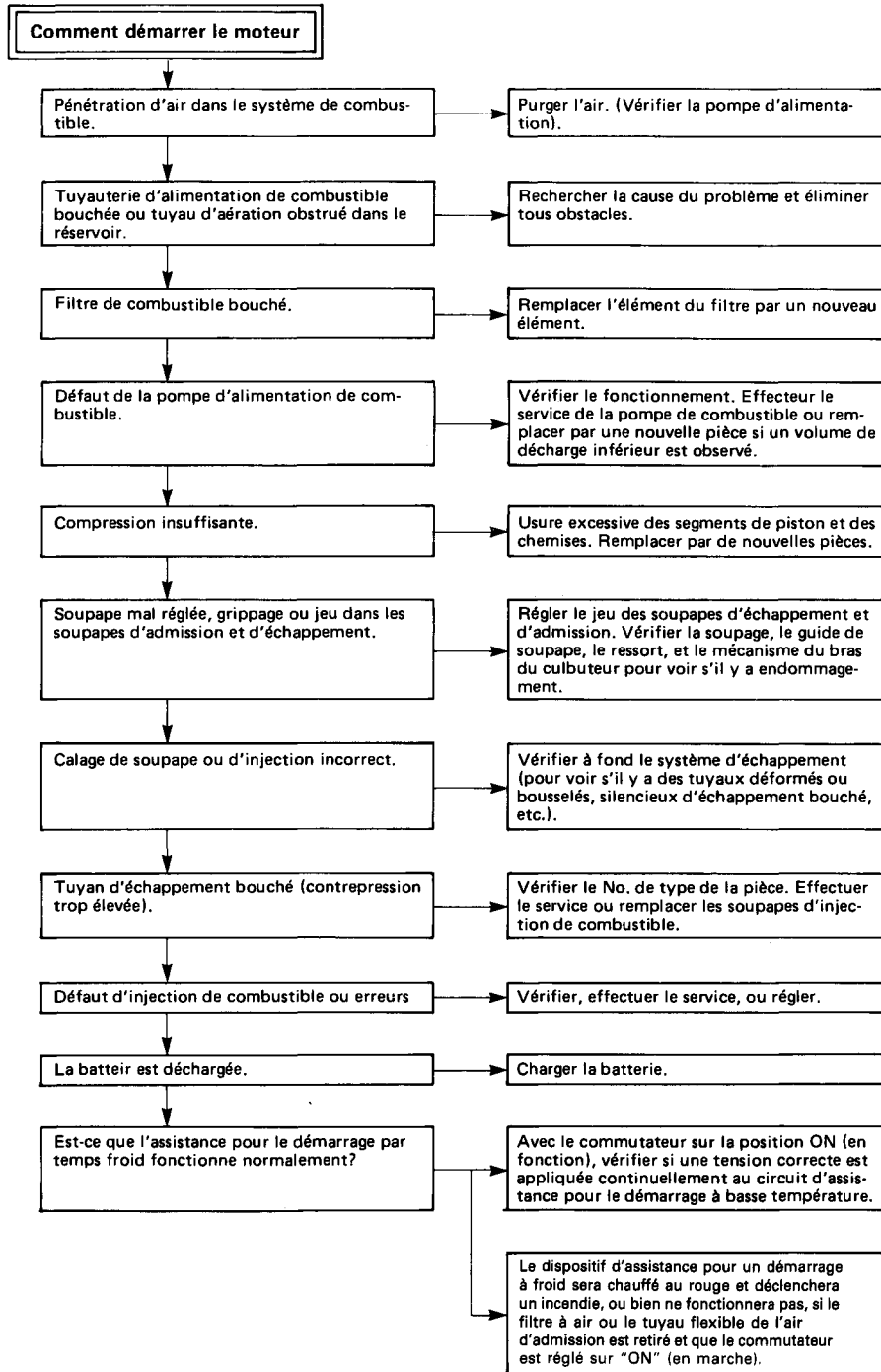


PRECAUTION:

- **Ne pas fournir plus de 2 cm³ d'huile à chaque cylindre, sinon l'intérieur du moteur risque d'être endommagé.**

9. Dépannage

9. Dépannage



Si la cause du problème ne peut pas être identifiée, prendre contact avec le distributeur Yanmar.

DEUTSCH

DIESELMOTOR DER SERIE TNE
BEDIENUNGSANLEITUNG

YANMAR DIESELMOTOR DER SERIE TNE

Wir gratulieren Ihnen zum Kauf dieses YANMAR -Produkts von der
YANMAR POWER TECHNOLOGY CO., LTD.

Diese Bedienungsanleitung ist für die Bedienung und Wartung Ihres neuen TNE-Motors von Yanmar bestimmt. Bitte lesen Sie diese Anleitung sorgfältig durch, bevor Sie den TNE-Motor betreiben, um damit unsichere Handhabung und Betrieb auszuschließen. Folgen Sie den Anleitungsschritten Punkt für Punkt, um Ihren Motor im besten Betriebszustand zu halten. Sollen Sie irgendwelche Fragen bezüglich dieser Bedienungsanleitung haben, sprechen Sie bitte mit Ihrem örtlichen Yanmar-Fachhändler.

Diese Bedienungsanleitung erklärt die Hauptpunkte für den Betrieb des Motors.
Die Abbildungen in diesem Handbuch basieren auf dem Motormodell 4TNE84.

Um sichere Arbeitsbedingungen sicherzustellen, unbedingt die Vorsichtshinweise für den Betrieb des TNE-Motors durchlesen.

Achten Sie insbesondere auf Abschnitte, die durch die folgenden Hinweise gekennzeichnet sind.

WARNUNG:

Weist auf die Möglichkeit ernster Verletzungen und Lebensgefahr hin, wenn die Anleitungen nicht korrekt befolgt werden.

VORSICHT:

Weist auf die Möglichkeit von Verletzungen und Sachschäden hin, wenn die Anleitungen nicht korrekt befolgt werden.

Zur Beachtung:
Gibt wertvolle Hinweise.

Falls Probleme auftreten, oder wenn Sie irgendwelche Fragen bezüglich des Motors haben, sprechen Sie bitte mit einem autorisierten Yanmar-Fachhändler.

WARNUNG:

Dieser Motor von Yanmar gewährleistet sicheren und zuverlässigen Betrieb, vorausgesetzt der Motor wird unter Beachtung dieser Bedienungsanleitung betrieben.
Lesen Sie dieses Bedienungshandbuch sorgfältig durch, bevor Sie mit der Inbetriebnahme Ihres neuen Motors beginnen. Unvollständige Kenntnis der Bedienvorgänge kann zu lebensgefährlichen Verletzungen führen und die Maschine beschädigen.

SICHERHEITSHINWEISE

WARNUNG:

1. FEUER

Niemals bei laufendem Motor Kraftstoff nachfüllen.

Verschütteten Kraftstoff mit einem sauberen Tuch wegwischen. Benzin, Kerosin, Streichhölzer und andere Explosivstoffe und feuergefährliche Stoffe vom Motors fernhalten, weil die Temperatur in der Nähe des Auspuffs während des Betriebs stark ansteigt.

- Um Brandgefahr zu vermeiden und für ausreichende Lüftung zu sorgen, den Motor in einem Mindestabstand von 1 m von Wänden oder anderen Maschinen aufstellen.

2. ABGASVERGIFTUNG

- Die Abgase des Motors enthalten giftiges Kohlenmonoxid.
- Den Motor niemals an schlecht belüfteten Orten wie geschlossenen Räumen oder Tunneln betreiben. Wenn sich das Betreiben in geschlossenen Räumen nicht vermeiden läßt, muß unbedingt für ausreichende Belüftung gesorgt werden.

3. VERBRENNUNGEN

- Während des Betriebs oder kurz danach niemals Auspuff, Auspuffverkleidung oder Motorblock berühren, um Verbrennungen zu vermeiden.

4. WEITERE HINWEISE FÜR DEN SICHEREN BETRIEB

- Machen Sie sich mit allen Funktionselementen des seitengesteuerten Motors vertraut und stellen Sie insbesondere sicher, daß Sie den Motor im Gefahrenfall ohne Zeitverlust ausschalten können. Erlauben Sie niemals die Bedienung des Motors durch Personen, die nicht einwandfrei mit seiner Bedienung vertraut sind.
- Beim Betreiben des Motors immer auf die sichere Kleidung achten.
- Betrieben Sie die Maschine nicht unter Einfluß von Alkohol.
- Halten Sie Kinder und Haustiere vom laufenden seitengesteuerten Motors fern.
- Niemals in der Nähe der Drehteil des Motors arbeiten.
- Beim Anschluß von Verbrauchern Sicherstellen, Keilriemen, Kopplung und andere gefährliche Teile auf geeignete Weise abzudecken.
- Beachten Sie stets die Unfallverhütungsvorschriften in Ihrem Arbeitsbereich. Sorgen Sie insbesondere beim Zusammenarbeiten mit mehreren Personen dafür, daß einwandfreie Verständigung besteht.
- Verwenden Sie stets sachgerechtes Werkzeug und Geräte.

5. LADEN VON BATTERIEN

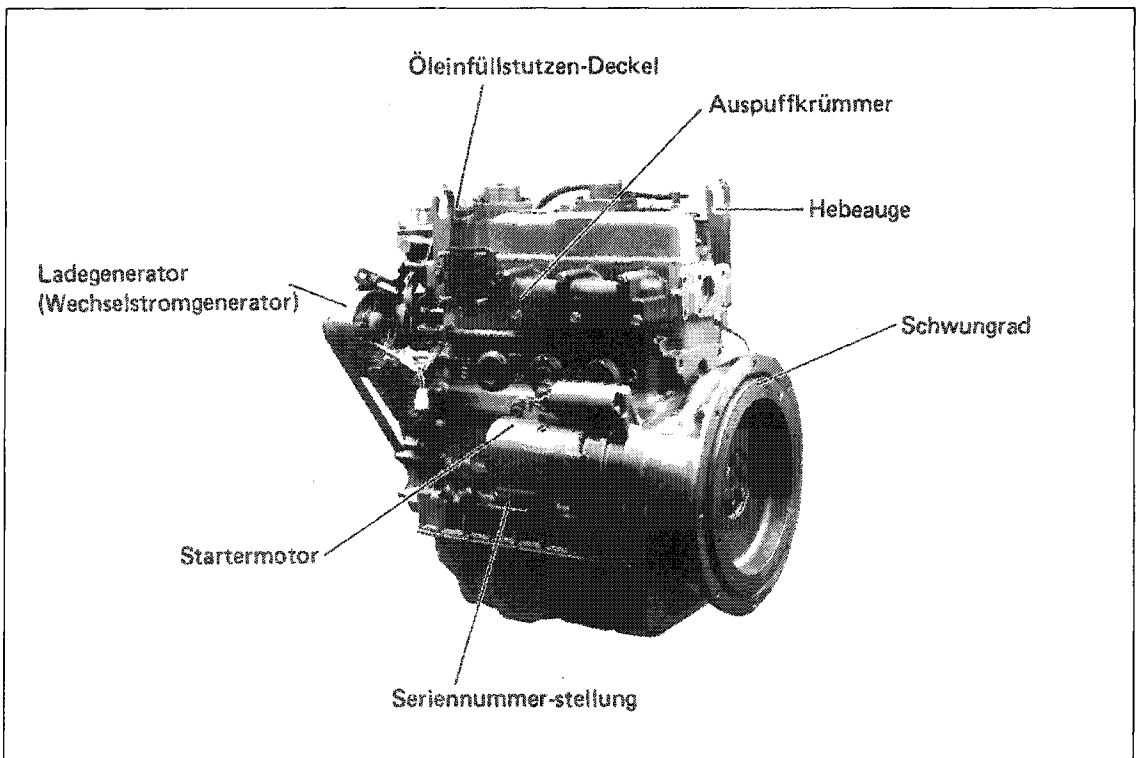
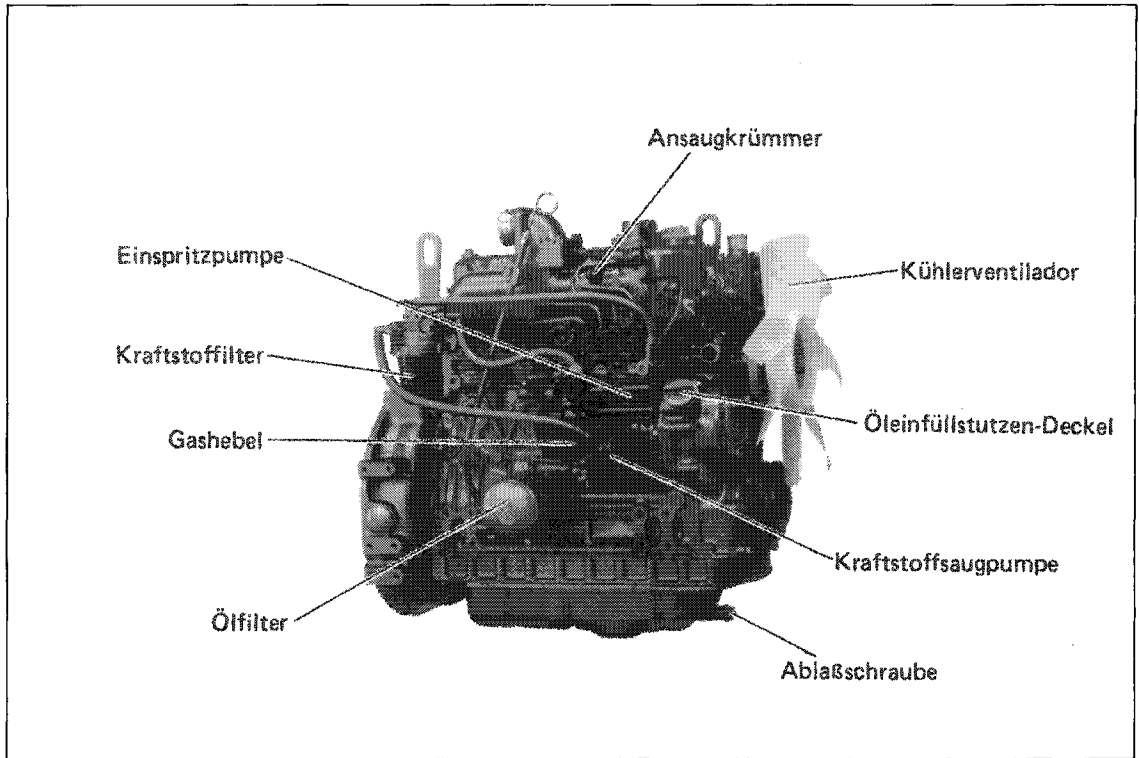
- Batterieelektrolyt enthält Schwefelsäure. Schützen Sie Augen, Haut und Kleidung. Bei Kontakt mit der Säure sofort mit reichlich Wasser spülen und, insbesondere bei Kontakt mit den Augen, einen Arzt aufsuchen.
- Batterien erzeugen Wasserstoffgas, das hochexplosiv sein kann. Funken aus der Nähe von Batterien fernhalten und nicht rauchen, insbesondere während des Aufladens.
- Batterien in gut belüfteter Umgebung aufladen.

INHALTSVERZEICHNIS

1. Bezeichnung der Teile	1
2. Technische Daten	2
3. Zur besonderen Beachtung beim Umgang mit dem Motor	3
4. Kraftstoff, Schmieröl und Kühlwasser	5
5. Einarbeitung des Motors	8
6. Betrieb des Motors	10
7. Regelmäßige Prüfung und Wartung	14
8. Langzeitlagerung	19
9. Fehlersuche	20

1. Bezeichnung der Teile

1-1. Bezeichnung der Teile (TNE-Reihen)



Modell	Einheit	2TNE68		3TNE68		3TNE74		3TNE78A		3TNE82A		3TNE84		3TNE88		4TNE84		4TNE88		3TNE84T		4TNE84T		
		Für industriellen Einsatz	Für industriellen Einsatz	Generatorbetrieb	Für industriellen Einsatz	Generatorbetrieb	Für industriellen Einsatz	Generatorbetrieb	Für industriellen Einsatz	Generatorbetrieb	Für industriellen Einsatz	Generatorbetrieb	Für industriellen Einsatz	Generatorbetrieb	Für industriellen Einsatz	Generatorbetrieb	Für industriellen Einsatz	Generatorbetrieb	Für industriellen Einsatz	Generatorbetrieb	Für industriellen Einsatz	Generatorbetrieb	Für industriellen Einsatz	Generatorbetrieb
Bauart		Wassergekühlter Vierzylinder-Dieselmotor																						
Anzahl Zylinder		2	3	3	3	3	3	3	3	3	3	3	3	3	3	3	3	3	3	3	3	3	3	3
Bohrung	mm (in)	68 (2.68)	68 (2.68)	74 (2.91)	78 (3.07)	82 (3.23)	84 (3.31)	88 (3.46)	84 (3.31)	84 (3.31)	90 (3.54)	90 (3.54)	88 (3.46)	84 (3.31)	88 (3.46)	84 (3.31)	84 (3.31)	84 (3.31)	84 (3.31)	84 (3.31)	84 (3.31)	84 (3.31)	84 (3.31)	84 (3.31)
Hub	mm (in)	72 (2.83)	72 (2.83)	78 (3.07)	84 (3.31)	84 (3.31)	90 (3.54)	90 (3.54)	90 (3.54)	90 (3.54)	90 (3.54)	90 (3.54)	90 (3.54)	90 (3.54)	90 (3.54)	90 (3.54)	90 (3.54)	90 (3.54)	90 (3.54)	90 (3.54)	90 (3.54)	90 (3.54)	90 (3.54)	90 (3.54)
Hubraum	litro pulg.cub.)	0.523 (31.93)	0.784 (47.84)	1.006 (61.59)	1.204 (73.47)	1.331 (81.22)	1.496 (91.29)	1.642 (100.2)	1.995 (121.7)	2.190 (133.6)	1.496 (91.29)	1.995 (121.7)	2.190 (133.6)	1.496 (91.29)	1.995 (121.7)	2.190 (133.6)	1.496 (91.29)	1.995 (121.7)	2.190 (133.6)	1.496 (91.29)	1.995 (121.7)	2.190 (133.6)	1.496 (91.29)	1.995 (121.7)
Drehzahl		2000~3600	2000~3600 / 3000/3600	2000~3600 / 3000/3600	2000~3600 / 3000/3600	2000~3600 / 3000/3600	2000~3600 / 3000/3600	2000~3600 / 3000/3600	2000~3600 / 3000/3600	2000~3600 / 3000/3600	2000~3600 / 3000/3600	2000~3600 / 3000/3600	2000~3600 / 3000/3600	2000~3600 / 3000/3600	2000~3600 / 3000/3600	2000~3600 / 3000/3600	2000~3600 / 3000/3600	2000~3600 / 3000/3600	2000~3600 / 3000/3600	2000~3600 / 3000/3600	2000~3600 / 3000/3600	2000~3600 / 3000/3600	2000~3600 / 3000/3600	
Ansaugung		Natürlich																		Mit Turbolader				
Verbrennungssystem		I D I								D I														
Drehrichtung		Gegenuhrzeigersinn (von Schwungrad aus betrachtet)																						
Kühlung		Kühler																						
Schmiersystem		Zwangsschmierung mit Trochoidpumpe																						
Startersystem		Elektrostarter																						
*1 Leergewicht (mit Grundplatte/ mit Gehäuse)	kg	59/65	70/81	85/105	112/128	112/128	138/155	138/155	160/170	160/170	142/160	165/175												
*2 Abmessungen	Gesamtlänge	mm (in)	400 (15.75)	463.5 (18.25)	469.1 (18.47)	520.5 (20.49)	520.5 (20.49)	556 (21.89)	556 (21.89)	632 (24.88)	632 (24.88)	632 (24.88)	641 (25.23)											
	Gesamtbreite	mm (in)	401 (15.79)	401 (15.79)	440 (17.32)	489 (19.25)	489 (19.25)	486 (19.13)	486 (19.13)	498.5 (19.63)	498.5 (19.63)	540 (21.26)	498.5 (19.63)											
	Gesamthöhe	mm (in)	495 (19.49)	496 (19.53)	502 (19.76)	564 (20.20)	564 (22.20)	622 (24.49)	622 (24.49)	617 (24.29)	617 (24.29)	629 (24.76)	713 (28.07)											
*3 Schmieröl Fassungsvermögen (Max./effektiv)	litro	1.6/0.6	2.4 / 1.0	2.4 / 1.0	3.6 / 1.3	3.6 / 1.3	4.7 / 1.8	4.7 / 1.8	5.8 / 2.3	5.8 / 2.3	4.7 / 1.8	5.8 / 2.3												
Kühlwasser-Fassungsvermögen (ausgenommen Kühler)	litro	0.6	0.9	0.9	1.8	1.8	2.0	2.0	2.7	2.7	2.0	2.7												
Wechselstrom-generator-Leistungsvermögen (standard)	AV	15/12	15/12	15/12	15/12	15/12	15/12	15/12	15/12	15/12	15/12	15/12												

*1: Das Gewicht des Motors entspricht dem YANMAR-Standard eines Motors mit VM-Spezifikationen.
 *2: Die Abmessungen des Motors entsprechen dem YANMAR-Standard eines Motors mit VM-Spezifikationen und Stützplatte (FAN-Schwungradscheibe).

*3: Die Schmieröl-Kapazität des Motors entspricht dem YANMAR-Standard eines Motors mit VM-Spezifikationen und Standard-Ölwanne. Bitte überprüfen Sie das Öl anhand der Markierung am Ölmeßstab (siehe Seite 5 dieses Handbuchs) und beachten Sie die Hinweise in der Anleitung des Geräteherstellers.

3. Zur besonderen Beachtung beim Umgang mit dem Motor

3. Zur besonderen Beachtung beim Umgang mit dem Motor

Die folgenden Richtlinien müssen eingehalten werden, um die Lebensdauer Ihres Motors zu verlängern.

Nr.	Zu beachten	Einzelheiten und mögliche Folgen bei Nicht-Beachten
1	Ein neuer Motor benötigt eine gewisse Einlaufzeit.	Solange der Motor noch neu ist, können schwere Lasten zu einer Verkürzung seiner Lebenszeit führen. Beachten Sie deshalb folgende Punkte:
2	Den Motor auf Betriebstemperatur aufwärmen lassen.	Den Motor nach dem Starten für etwa 5 Minuten bei Drehzahlen von 700 bis 800 U/min aufwärmen. Leerlauf aufwärmen lassen, damit sich das Schmieröl gut verteilt. Wenn der Motor nicht korrekt aufgewärmt wird, unterliegen seine beweglichen Teile übermäßigem Verschleiß.
3	Kraftstoff mit einer Cetanzahl über 45 verwenden.	Bei minderwertigem Kraftstoff kann es zu Startschwierigkeiten kommen und das Abgas färbt sich bläulich-weiß.
4	Den Kraftstofftank ablassen.	Vor dem Starten des Motors den Ablasshahn des Kraftstofftanks öffnen, um den Bodensatz vom Kraftstoff zu trennen.
5	Hochwertiges Schmieröl verwenden.	Minderwertiges Schmieröl greift die Zylinderanlaufbüchse an, führt zu übermäßigem Verschleiß der beweglichen Teile sowie zu einer Reduzierung der Lebensdauer des Motors.
6	Schmieröl und Schmierölfilter-Einsatz regelmäßig wechseln.	<p>Schmierölwechsel: Erstes Mal . . . Nach 50 Std. Danach . . . Alle 200 Std.</p> <p>Filtereinsatz auswechseln: Erstes Mal . . . Nach 50 Std. Danach . . . Alle 400 Std.</p> <p>⚠ VORSICHT</p> <ul style="list-style-type: none"> • Minderwertiges Schmieröl führt zu raschem Verschleiß der Motorteile und verursacht Motorstörungen. • Der Öldruck sinkt, wenn ein Filterelement alt oder mit Schmutz zugesetzt ist. Dadurch wird ein Festfressen des Hauptlagers verursacht. Jegliche Staubansammlung im Lager führt zu schnellerem Verschleiß.

3. Zur besonderen Beachtung beim Umgang mit dem Motor

7	Zum Kühlen sauberes Leitungswasser oder Regenwasser verwenden.	Hartes Wasser (Leitungswasser) verursacht Kalkablagerungen im Kühlwassersystem. Dadurch wird die Kühlwirkung reduziert und die Kühlwassertemperatur stark erhöht, was wiederum zum Festfressen des Kolbens führen kann.
8	Rostschutzmittel zum Kühlwasser zugeben.	Rost im Kühlwassersystem beschleunigt nicht nur die Korrosion des Systems sondern verkürzt auch die Lebenszeit des Motors aufgrund verringerter Kühlwirkung.
9	In kalten Einsatzbereichen Frostschutzmittel verwenden.	Frostschutzmittel verhindert ein Gefrieren des Kühlwassers und daraus folgende Rißbildung im Motor. Gefrorenes Kühlwasser kann Zylinderblock, Kühler oder Kühlwasserpumpe zerreißen. Wenn kein Frostschutzmittel verwendet wird, muß das Kühlwasser bei Nicht-Betrieb vollständig abgelassen werden.
10	Jährlich das Kühlwasser wechseln.	Verschmutztes Kühlwasser besitzt geringere Kühlwirkung, so daß die Gefahr eines gefährlichen Anstiegs der Kühltemperatur besteht. Dies kann für den Motor schädlich sein.
11	Vor dem Betrieb stets den Kühlwasserstand im Hilfstank prüfen. (Nur Motoren mit Hilfstank). Außerdem den Kühlwasserstand des Kühlwassertanks mindestens einmal wöchentlich prüfen.	Bei unzureichender Kühlwassermenge steigt die Kühlwassertemperatur an und führt zu einer Beschädigung des Motors.
12	Riemenspannung des Lade-dynamo/Ventilators prüfen und einstellen.	Falsche Riemenspannung verursacht entweder mangelhaft Leistungsübertragung oder Überhitzung. Darüber hinaus wird der Riemen beschädigt.
13	Den Anlasser nicht mehr als 15 Sekunden ununterbrochen laufenlassen.	Startversuche, die länger als 15 Sekunden dauern, führen zu einer Beschädigung des Startermotors.
14	Bitte beachten Sie alle Vorsichtsaufkleber, die durch den Maschinenhersteller angebracht wurden.	

4. Kraftstoff, Schmieröl und Kühlwasser

4. Kraftstoff, Schmieröl und Kühlwasser

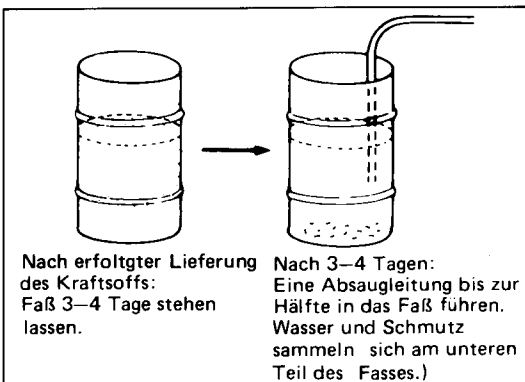
4-1. Korrekte Wahl und Umgang mit Kraftstoff

(1) Wahl des korrekten Kraftstoffs

Diesekraftstoff verwenden, der am besten für diesen Motor geeignet ist. (Diesel-Leichtöl mit einem Cetanwert von über 45 verwenden.)

(2) Korrekter Umgang mit dem Kraftstoff

- 1) Schmutz und Wasser im Kraftstoff führen zu Motorschäden.
- 2) Das Faß mit dem Kraftstoff einige Tage lang stehen lassen, damit sich Wasser und Schmutz am Boden ablagern können. Den im Oberteil des Fasses befindlichen Kraftstoff verwenden.

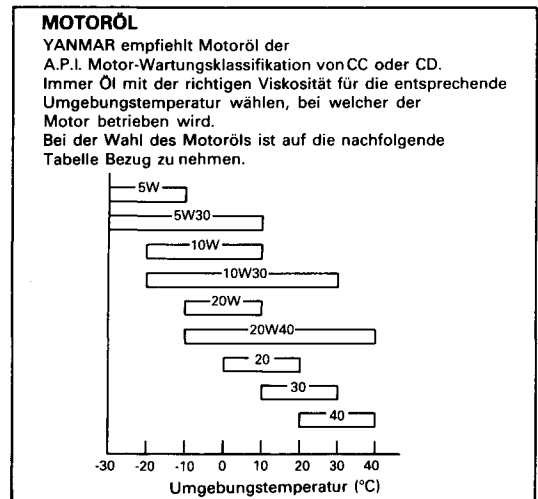


4-2. Wahl und Nachfüllen von Schmieröl

(1) Wahl

Die Wahl des Korrekten Schmieröls ist für die Leistung und Haltbarkeit des Motors von außerordentlicher Bedeutung. Wenn minderwertiges Öl versendet wird oder kein regelmäßiger Ölwechsel erfolgt, erhöht sich die Gefahr von Kolbenfraß, Kolbenringverklebung und schnellem Verschleiß von Zylinderlaufbüchse, Lager und sonstiger beweglicher Teile. Die Lebenserwartung Ihres Motors könnte sich stark verkürzen. Öl der Klasse CC/CD

(API Engine Service Classification) oder hochwertiges Öl kannjährlich verwendet werden.

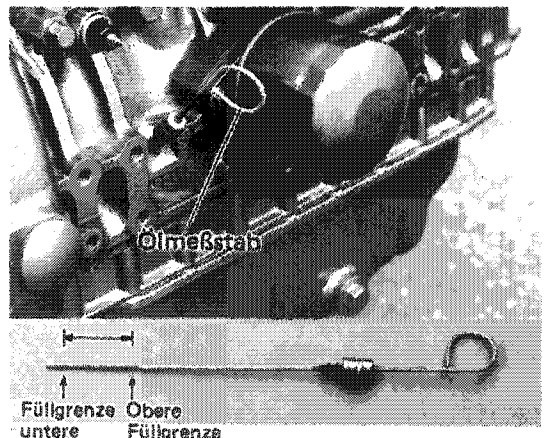


(2) Schmierölversorgung für Kurbelgehäuse

Den Öleinfüllverschluß (gelb) entfernen, um dem Kurbelgehäuse Schmieröl zuzuführen.



Den Ölmeßstab einführen und prüfen, ob Öl bis zur oberen Meßmarkierung eingefüllt ist.



4. Kraftstoff, Schmieröl und Kühlwasser

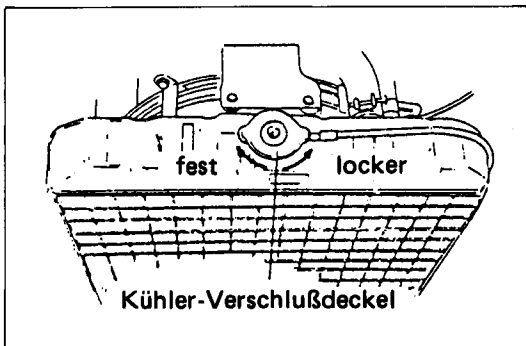
⚠ VORSICHT:

Im Motor zurückgelassenes Kühlwasser kann gefrieren und zu Rißbildung in Kühler, Kühlwasserpumpe und Zylinder führen.

(2) Nachfüllen und Prüfen von Kühlwasser

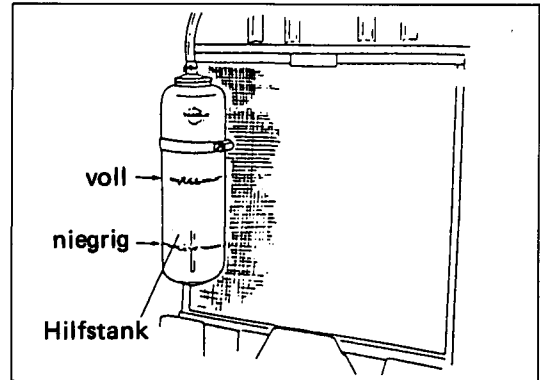
1) Auffüllen des Kühlers

Den Kühlerschlußdeckel losdrehen, um Wasser nachzufüllen. Der Deckel muß dabei um 120 Grad gegen den Uhrzeigersinn gedreht werden. Vor dem Einlaufen des Motors ist der Kühler mit frischem Leitungswasser bis zum Hals des Einfüllstutzens aufzufüllen. Danach den hinteren Nocken im Deckel in die Nut des Einfüllstutzens setzen, hineindrücken, und dann im Uhrzeigersinn festdrehen.



2) Überprüfen und Nachfüllen mit Kühlwasser (Motoren mit Vorratsbehälter)

Den Kühlwasserstand auf "Full" (oberer Stand) und "Low" (unterer Stand) am Vorratsbehälter überprüfen. Zum Auffüllen die Verschußkappe öffnen und bis zur "Full"-Marke auffüllen.

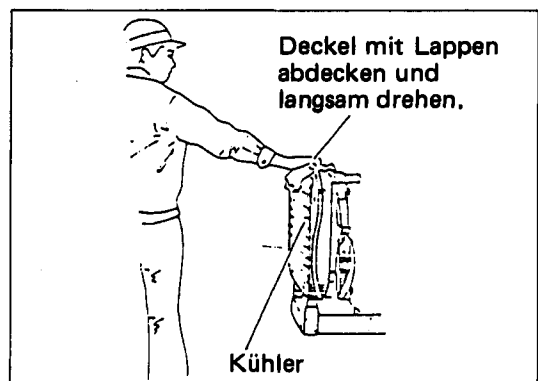


(3) Kühlwasser ablassen.

⚠ WARNUNG:

Kühlwasser friert bei niedrigen Temperaturen, wenn kein Kühlmittel verwendet wird, oder wenn nicht die richtige Wasser-/Kühlmittelmischung eingefüllt wurde. Deshalb ist nach dem Abstellen des Motors das Kühlwasser abzulassen. Vor einer längeren Einlagerung des Motors ist das Kühlwasser ebenfalls abzulassen. Gefrierendes Kühlwasser kann den Zylinder zum Bersten bringen.

- Vor dem Ablassen des Kühlwassers den Druckdeckel des Kühlers entfernen. Andernfalls ist der Ablaufvorgang langsam und möglicherweise unvollständig.
- Der Motor muß abgekühlt sein. Der Kühlerschlußdeckel ist heiß. Nicht mit bloßen Händen berühren. Den Deckel mit einem Lappen abdecken, die Augen schützen und den Deckel langsam und vorsichtig drehen, um den Druck im Kühler zu reduzieren.



4. Krafsoff, Schmieröl un Kühlwasser

VORSICHT:

- Das durch den Öleinfüllstutzen nachgefüllte Schmieröl braucht eine gewisse Zeit, um das Kurbelgehäuse zu füllen. Vor dem Prüfen des Ölstands etwa 3 Minuten verstreichen lassen.
- Zum Prüfen des Ölstands muß der Motor auf gerader Ebene abgestellt sein. Bei geneigtem Motor ist keine korrekte Ablesung des Ölstands möglich.
- Während der Einarbeitungszeit des Motors sinkt die Schmierölmenge im neuen Motor rasch ab, weil sich das Öl in den Schmieröldübler und die Schmierölleitung verteilt. Den Motor kurz stoppen 3 Minuten verstreichen lassen, bevor der Ölstand erneut geprüft wird.
- Immer darauf achten, dass das Kurbelgehäuse bis zur oberen Ölstandmarke am Ölmeßstab mit Schmieröl aufgefüllt ist.

4-3. Kühlwasser

(1) Korrekter Umgang mit dem Kühlwasser

- 1) Sauberes Leitungswasser (mit Zugabe von Rostschutzmittel) verwenden.

VORSICHT:

Hartes Brunnenwasser oder Salzwasser führt zum Rosten des Kühlwassersystems. Dadurch sinkt die Kühlwirkung und eine Überhitzung des Motors wird verursacht.

2) Frostschuttmittel

In Einsatzgebieten, in denen die Umgebungstemperaturen unter den Gefrierpunkt absinken, Frostschuttmittel in das Kühlwasser geben. Dadurch wird vermieden, daß das Kühlwasser nach der Arbeit aus dem Kühlsystem abgelassen werden muß. Kalluieren Sie zur Sicherheit mit einer Temperatur, die 5°C unterhalb der niedrigsten Temperatur im Einsatzbereich liegt. Berechnen Sie hieraus das Mischverhältnis gemäß der Anleitungen des Frostschuttmittel-Herstellers.

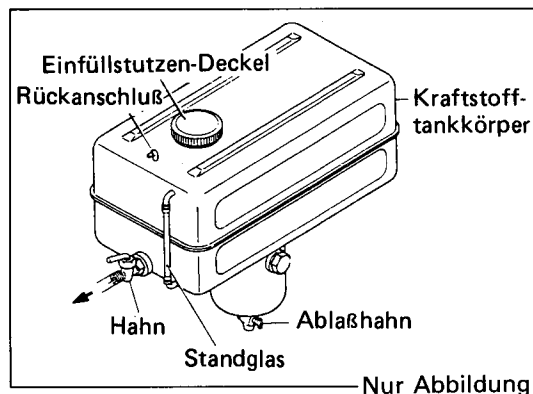
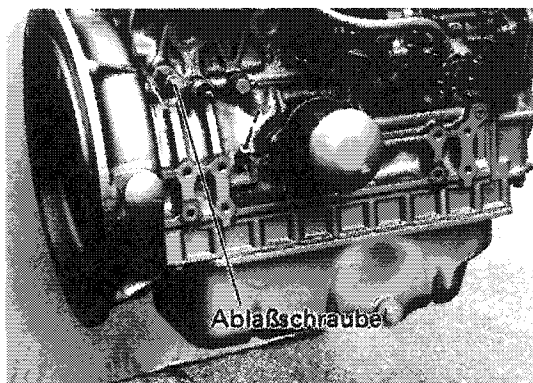
VORSICHT:

- Wenn Gefrierschutzmittel eingefüllt wird, zuerst das Kühlwasser vollkommen aus dem Kühler ablaufen lassen. Danach mit Gefrierschutzmittel bis zum Einfüllstutzen auffüllen. Den Motor ca. 30 Minuten laufen lassen, um sicherzustellen, daß sich das Gefrierschutzmittel mit dem im System befindlichen Wasser vollkommen gemischt hat. Erst danach den Motor einlagern.
 - Hinweise über das Ablassen des Kühlwassers finden Sie auf Seite 16.
 - Die Wirkung des Frostschuttmittels reicht normalerweise für ein Jahr. Beachten Sie bitte die Hinweise des Frostschuttmittel-Herstellers.
- 3) Wenn im Winter kein Frostschuttmittel verwendet wird, muß nach erfolgter Arbeit das Kühlwasser restlos aus Kühler und Motor abgelassen werden.

4. Kraftstoff, Schmieröl un Kühlwasser

5. Einarbeitung des Motors

- 1) Die Schraube an der Zylinderseite lösen, um das Wasser aus dem Zylinder abzulassen.



5. Einarbeitung des Motors

Betreiben Sie Ihren neuen Motor unter Beachtung der folgenden Anleitungen:

5-1. Kraftstoff

Kraftstoff in den Kraftstofftank einfüllen.

⚠ VORSICHT:

Um ein Überlaufen von Kraftstoff zu vermeiden, den Kraftstofftank etwa 80 bis 90% füllen.

Für den weiteren Betrieb folgende Punkte beachten:

(1) Ablassen des Kraftstofftanks

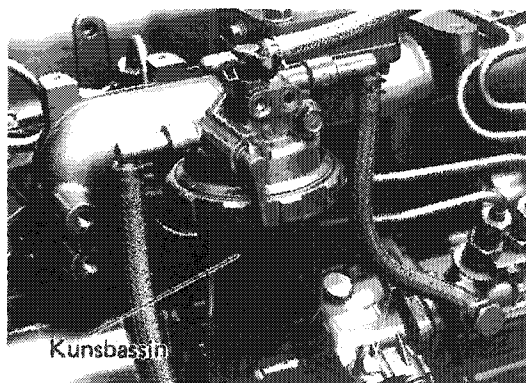
Selbst wenn der Kraftstoff nur aus der oberen Hälfte des Fasses getankt wird, enthält er immer noch Schmutz- oder Wasserunreinheiten. Diese müssen abgelassen werden, bevor sie in den Motor hineingelangen.

Bringen Sie einen Abscheider und Ablaufhahn am Tankboden an. Vor dem Starten des Motors den Hahn öffnen, um Niederschläge aus dem Kraftstoff zu entfernen.

(2) Ablassen des Kraftstofffilters

Vor dem Starten des Motors, sicherstellen, daß das durchsichtige Kunststoffbassin des Kraftstofffilters kein Wasser und Staub hat. Wenn eine große Menge Staubs im Filter angesammelt wird, muß der Filter abmontiert und gereinigt werden.

(Bei Motoren mit Wasserabscheider, diesen Punkt beachten.)



(3) Niemals Kraftstoff bei laufendem Motor einfüllen

⚠ WARNUNG:

Zur Vermeidung von Brand- und Explosionsgefahr den Motor unbedingt abschalten, bevor mit dem Nachtanken von Kraftstoff begonnen wird.

5. Einarbeitung des Motors

5-2. Entleeren des Kraftstoffsystems

Das Kraftstoffsystem gemäß nachfolgender Methode entleeren. Wenn sich Luft im Kraftstoffsystem befindet, kann die Kraftstoffeinspritzpumpe nicht ordnungsgemäß funktionieren.

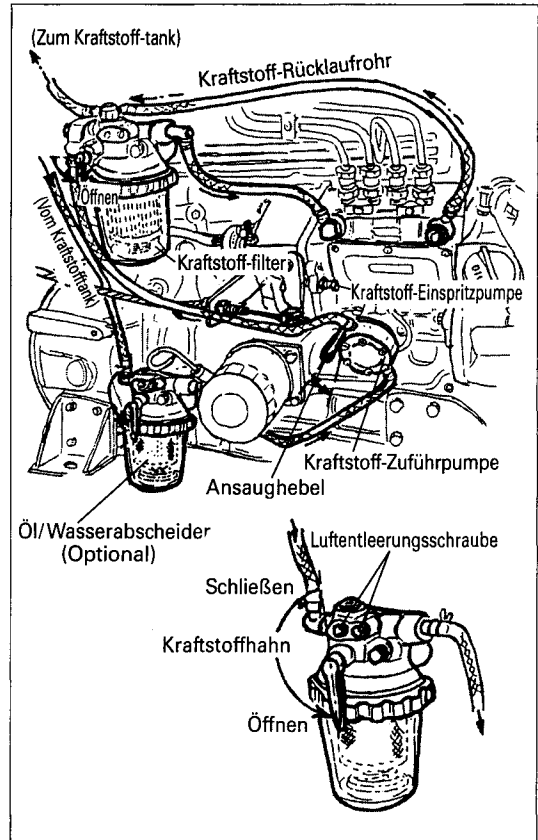
- (1) Im Kraftstoff-tank vorhandene Menge Kraftstoff überprüfen. Sofern unzureichend, nachfüllen.
- (2) Die Hähne am öl/Wasserabscheider **OPTIONAL** und den Kraftstoff-Filter öffnen.
- (3) Die Luftentleerungsschraube oben am öl/Wasserabscheider mittels Schraubenzieher durch 2- ~ 3-maliges Drehen lösen.
- (4) Wenn der aus der Luftentleerungsöffnung austretende Kraftstoff sauber ist und keine Blasen enthält, kann die Luftentleerungsschraube wieder angezogen werden.
- (5) Kraftstoff mittels Kraftstoff-Förderpumpe ansaugen.

Elektromagnetische Kraftstoff-Förderpumpe

Wenn der Anlasserschlüssel auf "AN" gedreht wird, fängt die Kraftstoff-Förderpumpe an zu arbeiten, wobei die Luftentleerung des Kraftstoffsystems automatisch erfolgt.

Mechanische Kraftstoff-Förderpumpe

Den Hebel auf der Kraftstoffpumpenseite auf- und abwärts bewegen, um die Kraftstoff-Förderung in Gang zu bringen. Fortfahren, bis das Kraftstoffniveau im Kraftstoff-Filter ansteigt, wodurch das System von Luft entleert wird.



5-3. Schmierung der Motorteile

- (1) Den Drehzahlreglerhebel schmieren.

5-4. Verteilung von Schmieröl

Nach längerer Nichtbenutzung des Motors (mehr als 1 Monat) muß zunächst dafür gesorgt werden, daß sich vor normalem Betrieb des Motors das Schmieröl Überall hin verteilt.

- (1) Die angeschlossenen Verbraucher abtrennen. (Die Kupplung abdrehen).
- (2) Den Gashebel in Stellung "Stop" setzen.
- (3) Den Starterschlüssel in Position "Start" drehen und den Motor etwa 15 Sekunden laufen lassen.

5. Einarbeitung des Motors

6. Betrieb des Motors

- (4) 15 bis 20 Sekunden warten, dann den Motor erneut für 15 Sekunden einschalten. (Diesen Vorgang zwei oder dreimal wiederholen.)

5-5. Prüfung der Kontrolllampen

Sicherstellen, daß die Kontrolllampen auf der Schalttafel bei eingestecktem und aktiviertem Startschlüssel (nichtlaufender Motor) den Ausführungen in der nachfolgenden Tabelle entsprechen.

Kontrolllampen	Schmieröldruck-Alarmlampe	leuchtet
	Ladungslampe	leuchtet
	Kühlwassertemperatur-Alarmlampe	ausgeschaltet

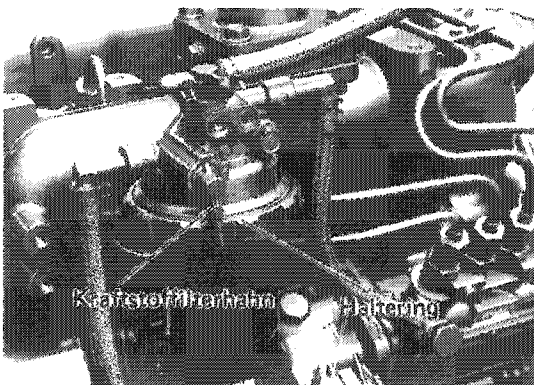
(Bei angebrachter Yanmar-Armaturentafel)

6. Betrieb des Motors

Vor dem Starten des Motors sicherstellen, daß sich in seiner Nähe, insbesondere seiner drehenden Teile, keine Hindernisse befinden.

6-1. Starten

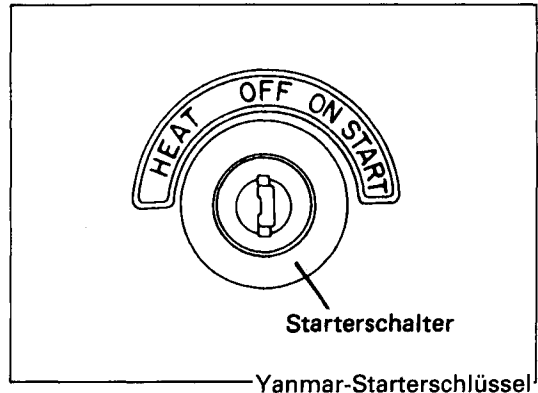
- (1) Die angeschlossenen Verbraucher abtrennen.
- (2) Den Kraftstoffhahn öffnen (Stellung "OPEN")



- (3) Bei Modellen mit Wasserabscheider den Ablaßhahn und Kraftstoffhahn öffnen ("OPEN").

- (4) Den Gashebel auf Stellung "START/RUN" setzen.

- (5) Den Starterschlüssel auf Stellung "START" drehen. Der Motor startet.



Dekompressionsgriff (in Stellung "RUN")
Sobald der Motor startet, den Schlüssel loslassen. Der Schlüssel kehrt automatisch auf Stellung "ON" zurück. (Auch nach dem Starten nicht den Batterieschalter ausschalten.) In Stellung "ON" beginnen die Messer im Instrumentenfeld zu arbeiten.

⚠ VORSICHT:

Schutz der Batterie

Den Startermotor nicht mehr als 15 Sekunden ununterbrochen laufen lassen. Wenn der Motor nicht anspringt ca. 30 Sekunden warten, bis ein erneuter Startversuch unternommen wird.

Erneutes Starten des Motors

Vor dem Drehen des Starterschalter auf Stellung "START" sicherstellen, daß das Schwungrad angehalten hat.

- Startermotor- oder Schwungradzahn-scheibe können beschädigt werden, wenn bei drehendem Schwungrad ein Startversuch unternommen wird.

6. Betrieb des Motors

- Motoren mit Schutzrelais können erst wieder gestartet werden, nachdem der Starterschalter auf Stellung "OFF" gesetzt wurde.

Kaltwetterstart

- Den Starterschlüssel im Gegenuhrzeigersinn auf die Verwärmposition ("GLOW" oder "HEAT") drehen und dort für etwa 15 bis 20 Sekunden halten (etwa 8 Sekunden für Motoren Schnellverwärmgerät).
- Anschließend den Starterschlüssel auf "START" drehen, um den Motor zu starten.

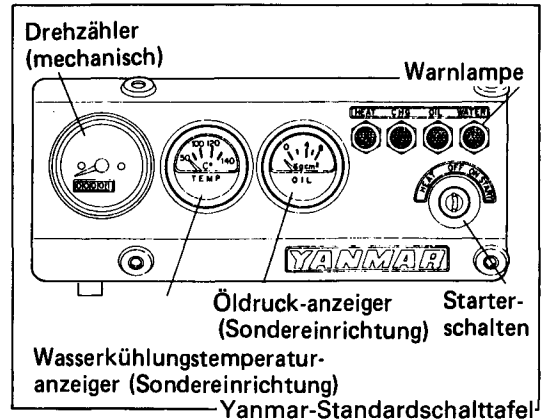
6-2. Vorsichtsmaßnahmen nach dem Starten des Motors

Nach dem Starten des Motors folgende Punkte beachten (noch keine Verbraucher anschließen.)

- (1) Den Motor für etwa 5 Minuten aufwärmen lassen.

⚠ VORSICHT:

- Das Schmieröl verteilt sich erst eine gewisse Zeit nach dem Starten auf das Hauptlager und die anderen beweglichen Teile.
Um diese Teile vor Verschleiß zu schützen, muß der Motor etwa 5 Minuten langsam laufen gelassen werden.
- Während der Einarbeitungszeit muß der Motor für 15 bis 20 Minuten langsam betrieben werden.
- (2) Die Drehzahl langsam über 800 U/min erhöhen und sicherstellen, daß die Öldruck-Warnlampe und die Ladelampe erlöschen.



⚠ WARNUNG:

Wenn die Warnlampen bei einer Drehzahl von über 1000 U/min immer noch nicht erlöschen, besteht eine Störung im Motor. Den Motor sofort abstellen und Ihren örtlichen Yanmar-Fachhändler verständigen.

6-3. Vorsichtsmaßnahmen während des Motorbetriebs

Während des Motorbetriebs täglich ein- oder zweimal die folgenden Punkte überprüfen.

(1) Abgasfarbe

Schwarze Auspuffabgase bedeuten eine übermäßige Belastung des Motors. Bei fortgesetzter Überbeanspruchung des Motors wird seine Lebensdauer stark reduziert. Beim Auftreten von schwarzen Auspuffabgasen ist der Motor abzustellen.

(2) Wasser- und Öllecks

Sicherstellen, daß kein Wasser, Öl oder Kraftstoff ausläuft und daß keine Überhitzung bzw. außergewöhnliche Vibrationen auftreten. Wenn irgendwelche Anomalitäten auftreten, den Motor abstellen und den nächsten Yanmar-Fachhändler verständigen.

6. Betrieb des Motors

(3) Vermeidung von Resonanzbereichen

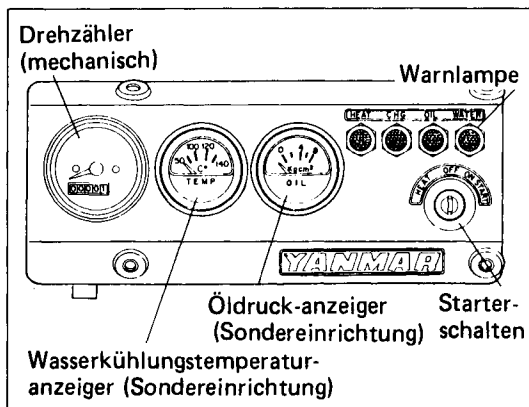
! WARNUNG:

Je nach angeschlossenem Verbraucher treten aufgrund der Resonanz des Motors mit dem Motorbett übermäßige Vibrationen in bestimmten Drehzahlbereichen auf. Der Betrieb des Motors in diesem Drehzahlbereich ist zu vermeiden.

(4) Alarmlampen

• Öldruck-Alarmlampe ("OIL")

Bei Aufleuchten der Öldruck-Warnlampe oder wenn diese bei Motor-drehzahlen über Leerlauf eingeschaltet bleibt, muß der Schmierölstand geprüft werden. Wenn der Schmierölstand geprüft werden. Wenn der Schmierölstand korrekt ist, muß Ursache in der Fehlerhaftigkeit der Schmierölleitung liegen. Weiterführung des Betriebs verursacht Motorschäden. Den Motor abschalten und Ihren Yanmar-Fachhändler benachrichtigen.



(Zur Beachtung):

Zur Prüfung des Schmierölstands den Motor abschalten und 3 Minuten warten.

• Ladewarnlampe ("CHG")

Wenn die Ladekontrolleuchte aufleuchtet, oder wenn die Kontrollleuchte bei einer Motordrehzahl von über 800 U/min an ist, besteht entweder eine Störung im

Ladeschaltkreis, oder es besteht ein Problem mit dem Ventilatorriemen (Durchrutschen oder Beschädigung). Wenn der Ventilatorriemen in Ordnung ist, verständigen Sie bitte Ihren örtlichen Yanmar-Fachhändler.

• Kühlwassertemperatur-Warnlampe ("WATER")

Wenn die Kühlwassertemperatur-Kontrolllampe während des Motorbetriebs unter Belastung leuchtet, ist der Motor überhitzt. Den Motor augenblicklich abstellen und die Ventilatorriemenspannung sowie den Kühlwasserstand überprüfen. Wenn beides in Ordnung ist, verständigen Sie bitte Ihren örtlichen Yanmar-Fachhändler.

! WARNUNG:

• Den Kühlwasserstand nicht prüfen, solange der Motor noch warm ist. Wenn der Kühlerdeckel bei noch warmem Motor geöffnet wird, können Dampf oder heißes Wasser herausspritzen.

• Den Kühlerdeckel mit einem Lappen abdecken und vorsichtig aufdrehen, wobei das Gesicht geschützt sein muß. Den Deckel langsam drehen, um den Druck im Kühler langsam freizugeben.

(5) Übermäßiges Geräusch

Wenn während des Betriebs abnormale Geräusche auftreten, den Motor sofort nach dem Feststellen der Ursache abstellen. Sollte die Ursache nicht festgestellt werden können, verständigen Sie bitte Ihren örtlichen Yanmar-Fachhändler.

6. Betrieb des Motors

6-4. Abschalten des Motors

(1) Vor dem entgültigen Abschalten, den Motor im Leerlauf laufen lassen.

- 1) Zum Abschalten des Motors die angeschlossenen Verbraucher abtrennen und den Motor etwa 5 Minuten bei niedrigen Drehzahlen laufen lassen.
- 2) Den Gashebel auf die Stellung "Dauerbetrieb" (Continuous use) stellen. Die Motordrehzahl muß noch einmal kurz angehoben werden, um Zunder aus den Zylindern zu entfernen.
- 3) Die Motordrehzahl soweit wie möglich absenken, dann den Kraftstoffhahn zudrehen, um den Motor abzustellen.

⚠ VORSICHT:

Wenn der Motor unmittelbar nach dem Reduzieren der Last abgestellt wird, erhöht sich die Temperatur der Motorbauteile plötzlich, was wiederum zu Motorstörungen führen kann.

Den Motor immer ohne Last für ca. 5 Minuten im Leerlauf laufen lassen.

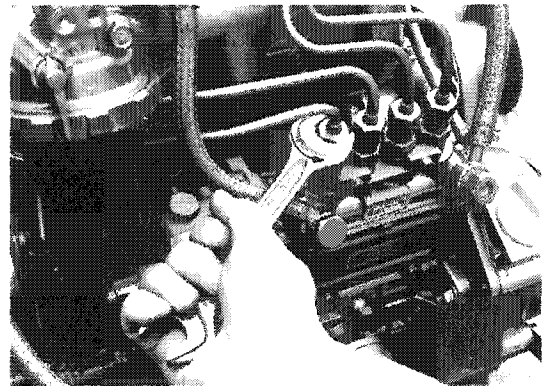
- (2) Nach dem Stoppen des Motors den Kraftstoffhahn oder Wasserabscheiderhahn schließen.
- (3) Bei noch warmen Motor Schmutz und Rückstände entfernen, um den Motor zu reinigen.
- (4) Den Batterieschalter ausschalten. (Wenn der Motor einen Batterieschalter hätte).
- (5) Den Starterschlüssel abziehen.

⚠ WARNUNG:

Notstopp

Läßt sich der Motor durch Setzen des Gashebels in Stellung "Stop" nicht abschalten, sondern läuft mit hohen Drehzahlen weiter, den Motor sie folgt stoppen:

- (a) Die Luftzufuhr unterbrechen.
- (b) Den Kraftstoffhahn zudrehen.
- (c) Alle Muttern auf der Einspritzpumpenseite oder der Einspritzdüsenseite lösen. Dadurch wird die Kraftstoffzufuhr unterbrochen und der Motor stoppt.



Benachrichtigen Sie Ihren Yanmar-Fachhändler, um die Fehlerquelle ausfindig zu machen und ggf. eine Reparatur vornehmen zu lassen.

7. Regelmäßige Prüfung und Wartung

7. Regelmäßige Prüfung und Wartung

Regelmäßige Prüfung und Wartung ist für die einwandfreie Betriebssicherheit des

Motors von großer Bedeutung. Die nachfolgende Tabelle zeigt, welche Prüfungen in welchen Abständen vorzunehmen sind.

○: Überprüfen ⊙: Ersetzen ●: Händler benachrichtigen

Posten	Inhalt	Intervalldauer					
		Täglich	Alle 50 Std.	Alle 50 Std.	Alle 50 Std.	Alle 50 Std.	Alle 50 Std.
Kraftstoff (Diesel)	Kraftstofftank überprüfen und Kraftstoff einfüllen	○					
	Kraftstofftank entleeren		○				
	Kraftstoff/Wasserabscheider reinigen		○				
	Kraftstofffiltereinsatz ersetzen					⊙	
Schmieröl	Schmierölmenge überprüfen	○					
	Schmieröl ersetzen		⊙ 1.Mal	⊙ 2. Mal und danach			
	Schmieröl-Filtereinsatz ersetzen		⊙ 1.Mal	⊙ 2. Mal und danach			
Kühlwasser	Überprüfung und Zuführung von Kühlwasser	○					
	Kühlrippen reinigen			○			
	V-Riemenspannung überprüfen		○ 1.Mal	○ 2. Mal und danach			
	Kühlwasser ersetzen						
	Kühlwasserpassage reinigen und überprüfen					⊙	
Gummischlauch	Kraftstoffleitung und Kühlwasserleitung überprüfen oder ersetzen						●
Bedienungssystem	Reglerhebel und Gashebel überprüfen und einstellen	○		○			●
Ansaugsystem	Luftfilter reinigen und Luftfiltereinsatz ersetzen			○	⊙		
	Turbolader überprüfen und einstellen					●	
Elektrische Anlage	Kontrollampen und Steuerkomponenten einstellen	○					
	Batterie überprüfen und Elektrolyt nachfüllen		○				
Zylinderkopf	Ansaug- und Auslaßventilspiel überprüfen					●	
	Läppen von Ansaug- und Auslaßventilspiel						●
Kraftstoffpumpe und Einspritzventil	Kraftstoffventildüse überprüfen und reinigen					●	
	Überprüfung und Einstellung von Kraftstoffeinspritzdruck und Vernebelungszustand					●	
	Kraftstoffpumpe überprüfen und einstellen						●

7. Regelmäßige Prüfung und Wartung

7-1. Kraftstoffsystem prüfen und einstellen

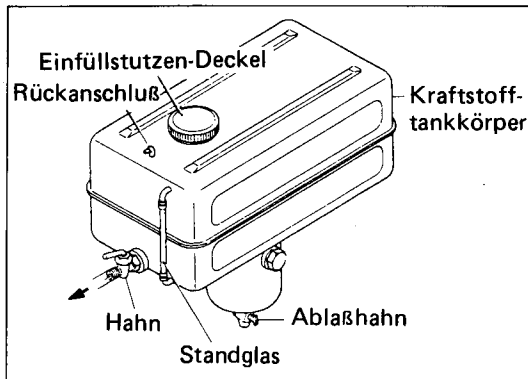
- (1) Kraftstoffstand prüfen und nachfüllen.

Sauberen Kraftstoff in den Kraftstofftank füllen.

Abstände	täglich
----------	---------

- (2) Kraftstofftank ablassen

Den Ablaßhahn am Boden des Kraftstofftanks öffnen und Ablagerungen ablassen.



Abstände	einmal im Monat
----------	-----------------

- (3) Kraftstofffilter ablassen; Filtereinsatz reinigen und auswechseln

Ablassen

Das Unterteil des Kraftstofffiltergehäuses entfernen, dann das Wasser und den Schmutz entfernen.

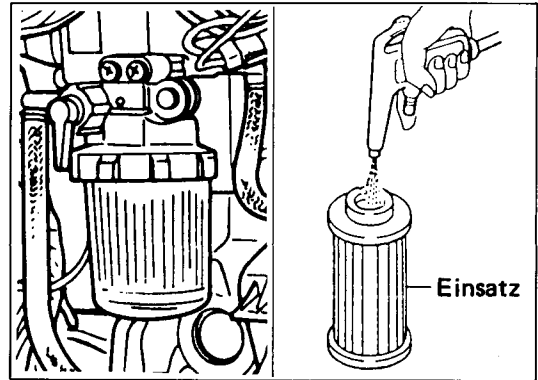
Abstände	Alle 200 Std.
----------	---------------

Filtereinsatz reinigen und auswechseln

Das Unterteil des Kraftstofffiltergehäuses entfernen, dann den Filtereinsatz reinigen oder auswechseln.

Abstände	Reinigen alle 200 Std.
	Auswechseln alle 400 Std.

Zum Herausnehmen des Filtereinsatzes den Haltering des Kraftstofffilters lösen. Den Filtereinsatz mit Leichtöl reinigen und Druckluft (2–3 kg/cm²) blasen, um Schmutz zu entfernen.



⚠ VORSICHT:

Kein Benzin zum Reinigen des Filtereinsatzes verwenden.

Am Boden der Falle im Kraftstofffilter abgelagerten Schmutz oder Wasser ebenfalls entfernen.

- (4) Wasserabscheider (Sedimentabscheider): Option

Es gelten die gleichen Hinweise wie für das Kraftstofffilter.

7-2. Schmierölsystem

- (1) Ölstand im Kurbelgehäuse prüfen

Vor dem Starten des Motors den Ölmeßstab herausziehen und prüfen, ob sich der Ölstand zwischen der oberen und unteren Markierung befindet. Wenn zuwenig Öl vorhanden ist, bis zum erforderlichen Ölstand auffüllen.

Prüfabstände	Täglich (vor Betriebsbeginn)
--------------	------------------------------

7. Regelmäßige Prüfung und Wartung

(2) Schmieröl wechseln

Am besten wird das Schmieröl bei noch warmem Motor abgelassen. Dazu folgendermaßen vorgehen:

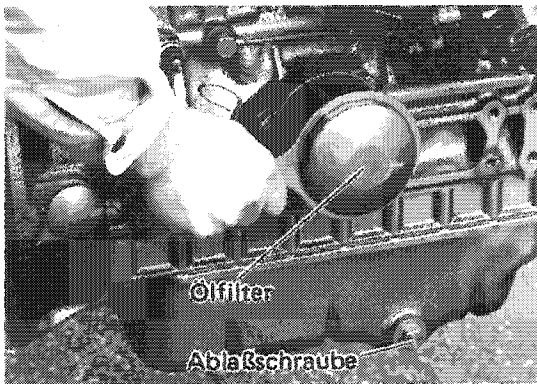
Abstände	1. Mal .. alle 50 Std.
	2. Mal und dannach alle 200 Std.

⚠ VORSICHT:

Beim Arbeiten unter besonders staubigen Betriebsbedingungen muß der Schmierölwechsel in kürzeren Abständen erfolgen.

(3) Schmierölfilter auswechseln

Das Filter entfernen und auswechseln.



Abstände	1. Mal . alle 50 Std.
	2. Mal und danach ... alle 400 Std.

⚠ VORSICHT:

Beim Arbeiten unter besonders staubigen Bedingungen muß der Filterwechsel in kürzeren Abständen erfolgen.

7-3. Kühlwassersystem

(1) Kühlwasserstand prüfen

(Motoren mit Hilfstank)

Der Kühlwasserstand des Hilfstanks ist täglich zu überprüfen. Bei zu geringem Ölstand Wasser bis zur oberen Füllstandsmarke "FULL" nachfüllen. Anschließend den Deckel fest wieder aufdrücken.

Zur Beachtung:

- Den Kühlwasserstand bei kaltem Motor prüfen. Das Kühlwasser des Kühlers fließt in den Hilfstank, wenn der Motor warm ist. Eine genaue Prüfung des Wasserstands ist deshalb bei warmem Motor nicht möglich.
- Den Kühler und die Schläuche auf Undichtigkeiten überprüfen.

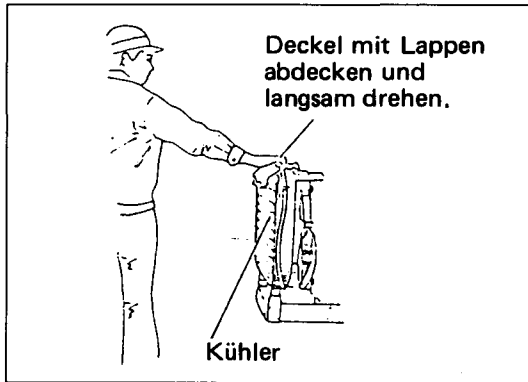
(Motoren ohne Hilfstank)

Den Kühlerdeckel öffnen und den Wasserstand prüfen.

⚠ WARNUNG:

- Den Kühlwasserstand nicht prüfen, solange der Motor noch warm ist. Wenn der Kühlerdeckel bei noch warmem Motor geöffnet wird, können Dampf oder heißes Wasser herausspritzen.
- Den Kühlerdeckel mit einem Lappen abdecken und vorsichtig aufdrehen, wobei das Gesicht geschützt sein muß. Den Deckel langsam drehen, um den Druck im Kühler langsam freizugeben.

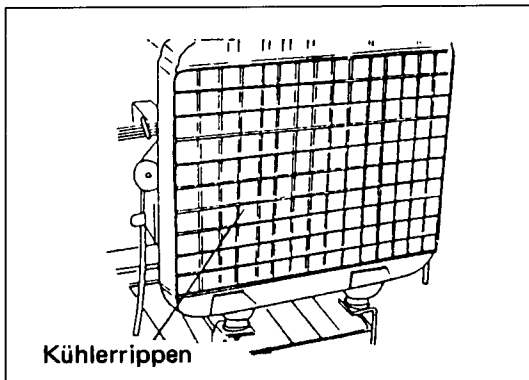
7. Regelmäßige Prüfung und Wartung



Abstände	täglich
----------	---------

(2) Die Kühlerblockrippen und das Kühlergitter auf Verstopfung überprüfen.

Verstopfte Kühlerrippen entweder mit Druckluft sauberblasen oder mit Wasser spülen. Verstopfte Kühlerrippen führen zu Überhitzung des Motors.



(3) Kühlwasser wechseln

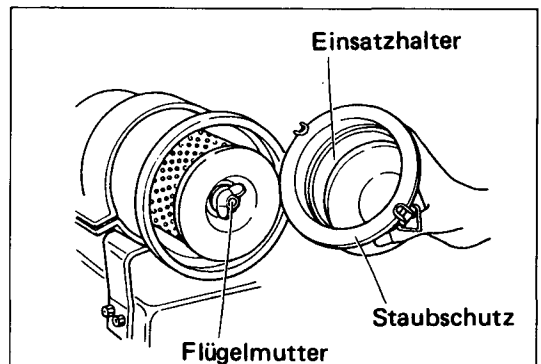
Bei einer Verschmutzung des Kühlwassers läßt die Wirkung des Korrosionsschutzmittels nach.

Abstände	jährlich
----------	----------

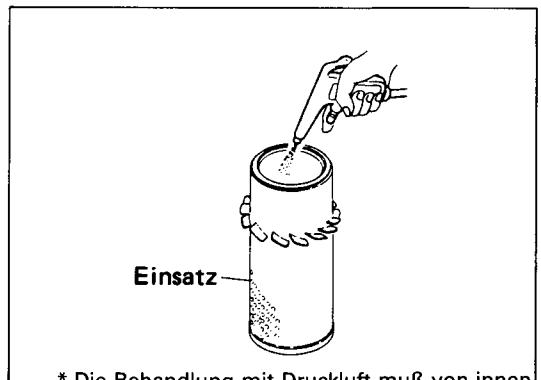
7-4. Lufteinlaßsystem

(1) Reinigen des Luftfilters

- 1) Das Luftfilter zerlegen, um den Luftfiltereinsatz herausnehmen zu können. Danach mit Druckluft ausblasen. Druckluft ($3-5 \text{ kg/cm}^2$) in den Luftfiltereinsatz blasen, um den Schmutz zu entfernen. Danach das Luftfilter in umgekehrter Ausbaureihenfolge wieder einbauen.



Die Abbildung stellt einen typischen Luftfilter dar.



* Die Behandlung mit Druckluft muß von innen her erfolgen.

- 2) Den Filtereinsatzhalter aus der Staubpfanne herausziehen, dann den Staub vom Behälter entfernen (wenn es sich beim gleichen Typ wie in der Abbildung handelt).

7. Regelmäßige Prüfung und Wartung

⚠ VORSICHT:

- Wenn der Motor bei staubigen Bedingungen betrieben wird, muß der Filtereinsatz alle 50 Stunden gereinigt werden.
- Den Luftfiltereinsatz nicht gegen harte Gegenstände schlagen, um den Staub zu entfernen. Der Luftfiltereinsatz kann dadurch verzogen und beschädigt werden und bei Wiederverwendung Staub durchlassen.
- Den Filtereinsatz nicht durchlöchern oder den Motor ohne Filtereinsatz betreiben. (Staub verschleunigt den Verschleiß der Motorinnenteils.)

⚠ VORSICHT:

- Den Filtereinsatz nicht durch Öl usw. verunreinigen.

7-5. Überprüfung des Motorblocks

(1) Motorblock

Für die Überprüfung und Einstellung der folgenden Posten verständigen Sie bitte Ihren örtlichen Yanmar-Fachhändler.

Prüfung und Einstellung	Zeitabstände
Einstellung des Ein-/Auslaßventilspiels	Alle 1000 Std.

(2) Schmierung des Drehzahlreglerhebels

Für einwandfreien Betrieb muß das Reglergestänge regelmäßig geschmiert werden.

Abstände	täglich (vor Betriebsbeginn)
----------	------------------------------

7-6. Überprüfung der elektrischen Ausrüstung

Überprüfen der Kontrolleuchten

Auf korrektes Funktionieren der Kontrolleuchten prüfen. Wenn irgendwelche Abnormalitäten bestehen, den Motor sofort abstellen und Ihren örtlichen Yanmar-Fachhändler verständigen.

Prüfabstände	täglich
--------------	---------

Wenn der Schlüsselschalter eingeschaltet ist:

1) Der Motor läuft nicht

Alarm-lampen	Öldruck-Warnlampe	leuchtet
	Ladewarnlampe	leuchtet
	Kühlwassertemperatur-Warnlampe	erloschen

2) Wenn der Motor läuft

Alarm-lampen	Öldruck-Warnlampe	erloschen
	Ladewarnlampe	erloschen
	Kühlwassertemperatur-Warnlampe	erloschen

Die obige Tabelle bezieht sich auf die Standard Yanmar-Armaturentafel.

7-7. Riemenspannung übersprüfen und einstellen

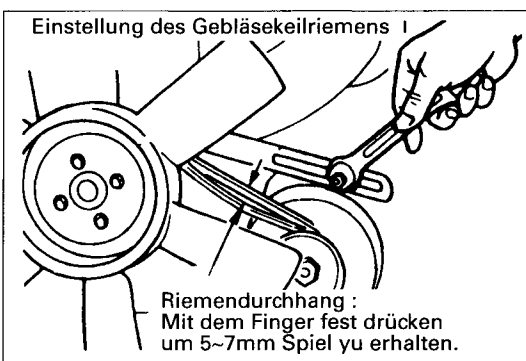
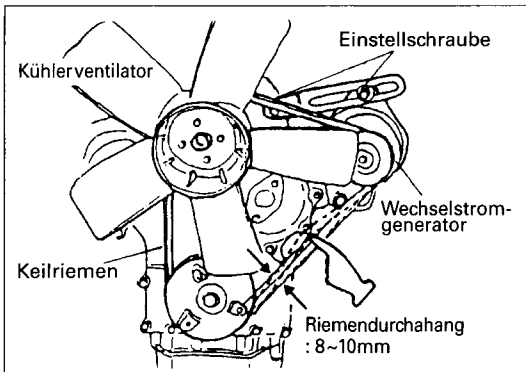
Zu hohe Riemenspannung führt zu raschem Verschleiß des Riemens, während zu geringe Riemenspannung die Riemen-scheibe leerlaufen läßt und nicht genügend Leistung erzeugt wird. Die Riemenspannung wie folgt einstellen:

7. Regelmäßige Prüfung und Wartung

8. Langzeitlagerung

- (1) Die Einstellschraube lösen und die Lichtmaschine zur Erhöhung der Riemenspannung nach außen versetzen, zur Verringerung der Spannung nach innen versetzen.
- (2) Vorsicht, damit kein Öl auf den Keilriemen gelangt. Ein mit Öl verschmutzter Keilriemen rutscht durch.

Riemen durchhang	8~10 (5~7)mm
Prüfabstände	1. Mal ... alle 50 Std. 2. Mal und danach ... alle 200 Std.



8. Langzeitlagerung

- (1) Den Motor in gut belüfteter Umgebung ohne hohe Luftfeuchtigkeit und Staub lagern.
- (2) Bei der Einlagerung des Motors für länger als 3 Monate die nachfolgenden Hinweise beachten.

- 1) Den Motor außen von Schmutz, Öl usw. reinigen.
- 2) Das Motoröl wechseln.
Das Schmierölfilter wechseln.
- 3) Den Motor möglichst einmal monatlich laufen lassen. Ist dies nicht möglich, die folgenden Hinweise bei Beginn der Einlagerung und alle nachfolgenden sechs Monate befolgen.

- Einspritzventile von den Zylindern entfernen, Mit einer Ölkanne etwa 2 cc sauberes Motoröl in jede Brennkammer gießen. Die Einspritzventile anbringen und festziehen.

- Den Geshebel auf Stellung "STOP" drehen.
- Den Starterschlüssel drehen. Den Motor etwa 10 Sekunden lang durchkurbeln, um die Zylinderwände gleichmäßig zu ölen.

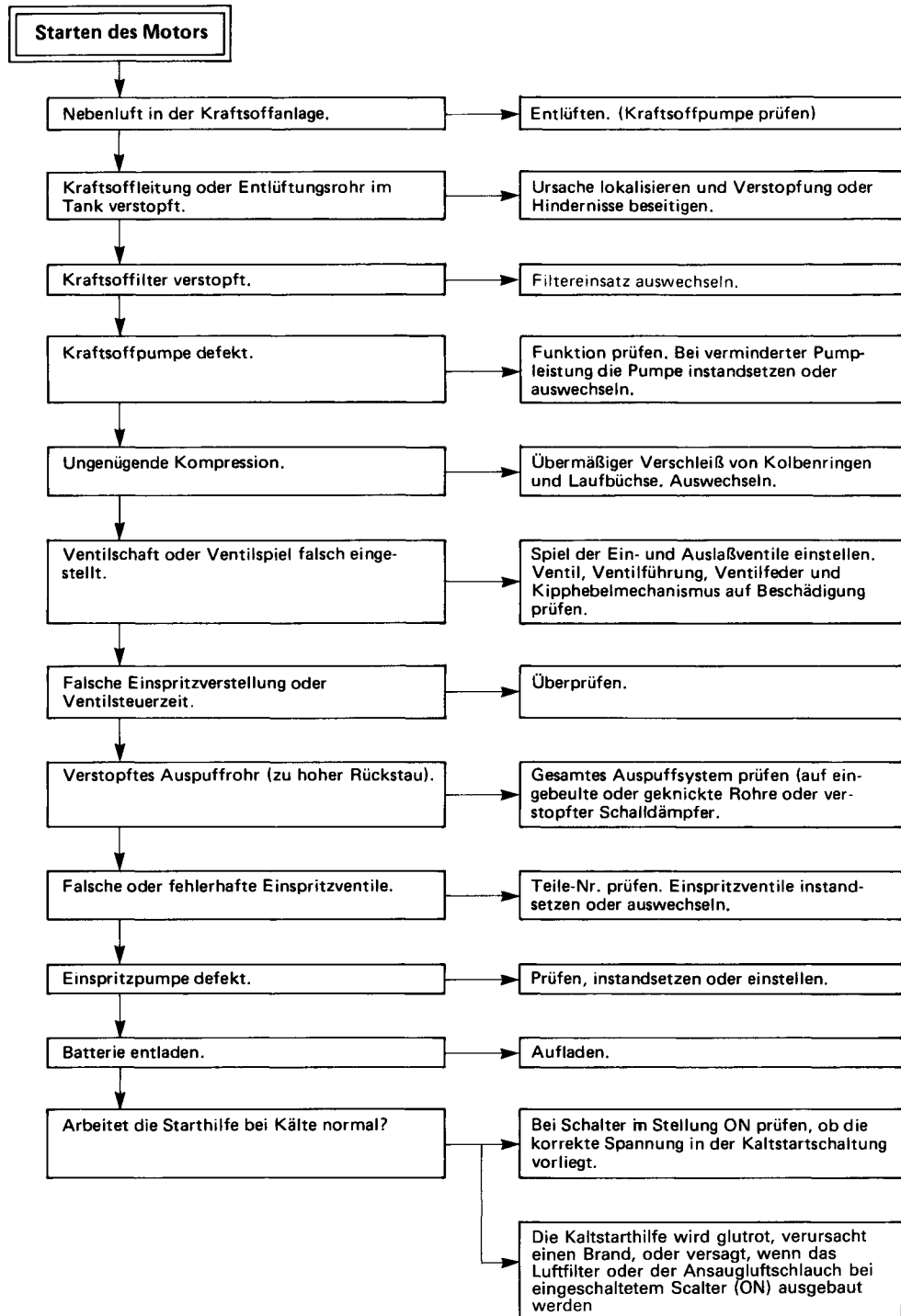
- 4) Des Kühllasser mit Frostschutzmittel unverändert lassen, vorausgesetzt, das Frostschutzmittel ist nicht zu alt.
- 5) Einen dünnen Film sauberen Öls auf alle Motoraußenteile auftragen.
- 6) Auspuffschalldämpfer, Luftfilter usw. mit PVC-Film abdecken, um ein Eindringen feuchter Luft in den Motor zu vermeiden. Die elektrische Anlage sorgfältig auf gleiche Weise schützen.
- 7) Die Batterien vom Motor entfernen und vor der Einlagerung vollständig aufladen. Die Batterien monatlich nachladen, um einer vollständigen Selbstentladung entgegenzuwirken.

⚠ VORSICHT :

- Nicht mehr als 2 ml Öl auf jeden Zylinder auftragen, da sonst ein Schaden am Motor entstehen kann.

9. Fehlersuche

9. Fehlersuche



Wenn sich die Störung nicht beseitigen läßt,
wenden Sie sich bitte an Ihren Yanmar-Händler.

ESPAÑOL

MOTOR DIESEL SERIE TNE

MANUAL DE OPERACION

MANUAL DE OPERACION YANMAR para Serie TNE

Muchas gracias por la adquisición de este producto YANMAR de
YANMAR POWER TECHNOLOGY CO., LTD.

Este Manual de Operación incluye las instrucciones necesarias para la utilización y el mantenimiento de su nuevo motor Yanmar TNE. Le recomendamos que lea atentamente este manual antes de usar el motor para lograr un manejo y funcionamiento adecuado del mismo. Siga cuidadosamente las instrucciones aquí descritas para mantener al motor en las mejores condiciones de funcionamiento. Caso de tener alguna pregunta sobre este manual sírvase consultar a su distribuidor Yanmar más cercano.

Este Manual de Operación explica los puntos principales para el funcionamiento del motor TNE.

Las ilustraciones de este manual están basadas en el motor 4TNE84.

A fin de garantizar una mayor seguridad en las condiciones de trabajo sírvase leer con detenimiento las instrucciones de precaución adjuntas para lograr un funcionamiento seguro del motor TNE.



ADVERTENCIA:

Indica una posibilidad mayor de heridas o riesgo de muerte si no se toman las precauciones necesarias.



PRECAUCION:

Indica la posibilidad de heridas o daño del equipo si no se toman las precauciones necesarias.

Nota:

Incluye informaciones importantes.

Si ocurriera algún problema o tuviera usted alguna pregunta sobre el motor, póngase en contacto con un distribuidor Yanmar autorizado.



ADVERTENCIA:

El motor TNE Yanmar está diseñado para ejecutar operaciones seguras y confiables siempre que sea usado de acuerdo con las instrucciones. Se recomienda por lo tanto leer y comprender las instrucciones que se dan en el Manual de Operación antes de operar esta máquina, para evitar causar heridas al personal o daño al equipo.

CONSEJOS PARA UNA BUENA SEGURIDAD

CONSEJOS PARA UNA BUENA SEGURIDAD

ADVERTENCIA:

1. COMO SE EVITAN LOS RIESGOS DE INCENDIO

Nunca suministrar combustible en el tanque de combustible mientras se opera la máquina. Limpiar el combustible vertido por medio de un paño limpio. Mantener la gasolina, el kerosene, las cerillas u otros explosivos y productos inflamables lejos del motor debido a que la temperatura cerca del silenciador está muy elevada durante las operaciones.

- Para evitar los riesgos de incendio y suministrar una ventilación apropiada, instalar el motor a 3 pies (1 metro) de los edificios u otros equipos durante las operaciones.

2. COMO EVITAR EL GAS DE ESCAPE

- El gas de escape contiene óxido de carbón que es producto tóxico.
- No utilice nunca el motor en lugares con poca ventilación tales como dentro de locales o túneles. Si debe usar el motor en interiores, asegúrese de que haya una adecuada ventilación.

3. COMO EVITAR QUEMADURAS

- Nunca toque el silenciador de escape, o la cubierta del silenciador o el cuerpo del motor durante su funcionamiento o cuando está todavía caliente.

4. OTROS CONSEJOS PARA LA SEGURIDAD

- Se recomienda saber interrumpir inmediatamente el funcionamiento del motor y comprender la función de todos los mandos. Nunca permita a otras personas usar el motor sin darles las instrucciones necesarias.
- Lleve siempre ropas adecuadas cuando vaya a utilizar el motor.
- Nunca utilice esta máquina cuando Ud. esté bajo la influencia del alcohol.
- Aleje a los niños y animales del motor durante su uso.
- Trabajar lejos de las piezas rotativas durante el funcionamiento del motor.
- Cuando el motor está acoplado a una máquina, suministrar cubiertas apropiadas a la correa, al acoplamiento y a otras piezas peligrosas.
- Trabajar de acuerdo con las reglas de la zona de trabajo. En particular asegurar una buena comunicación con todo el personal en caso de trabajo en grupo.
- Usar herramientas y equipos apropiados.

5. CUANDO SE CARGA LA BATERIA

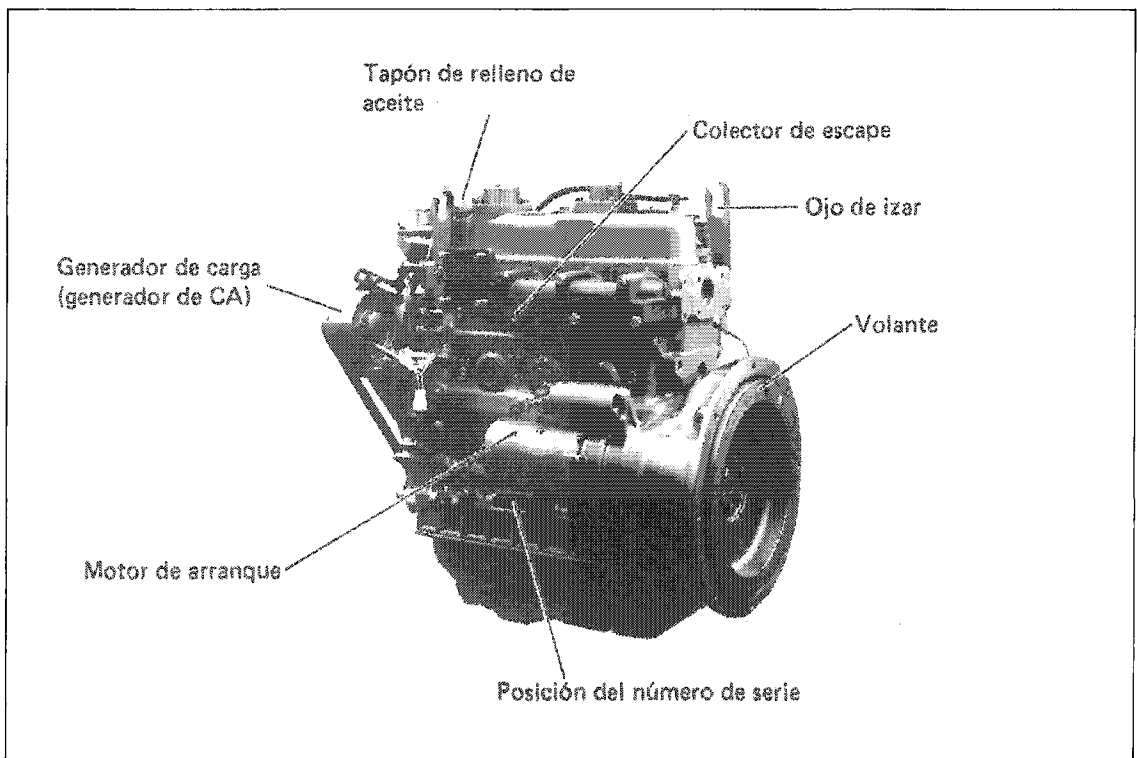
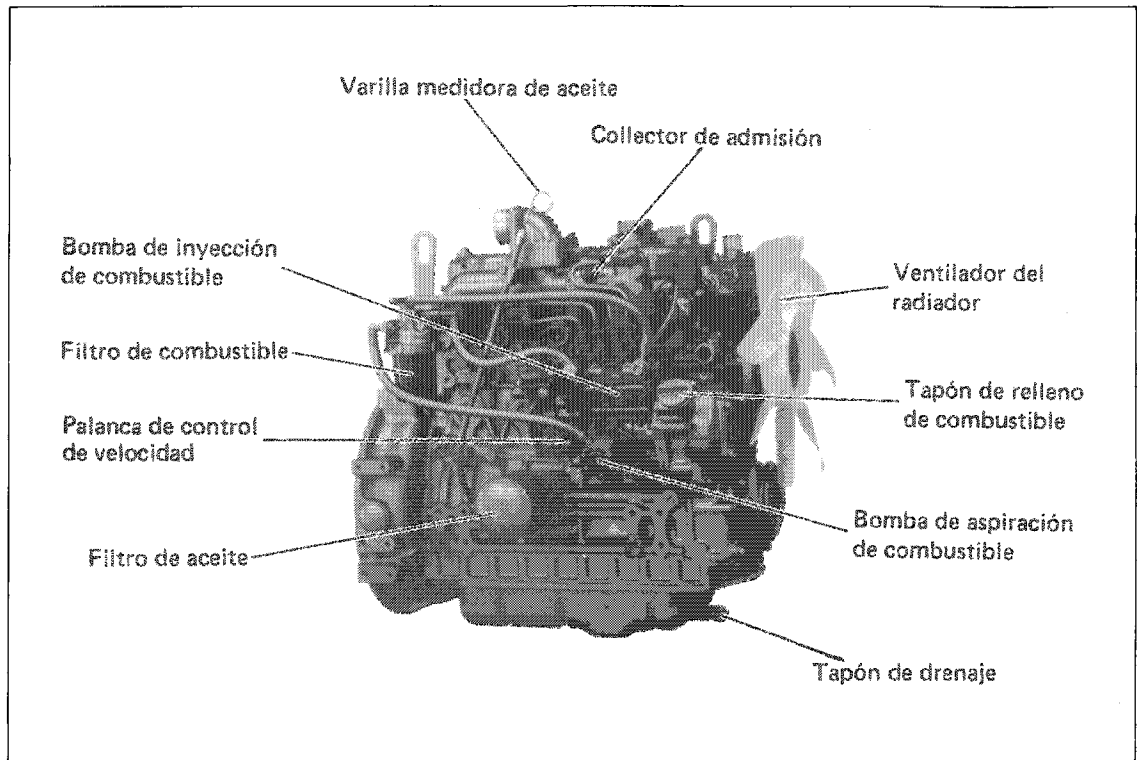
- El electrolito de la batería contiene ácido sulfúrico. Se recomienda por lo tanto proteger los ojos, la piel y los vestidos. En caso de contacto con el ácido sulfúrico, aclarar completamente con agua y consultar al médico en particular si el ácido ha hecho contacto con los ojos.
- Las baterías generan hidrógeno que puede ser muy explosivo. Se recomienda por lo tanto no fumar o dejarlas cerca de una llama, o producir chispas cerca de una batería, especialmente cuando se carga la batería.
- Cargar la batería en un lugar bien ventilado.

CONTENIDO

1. Designación de las piezas	1
2. Especificaciones	2
3. Principos básicos que se deben mantener para la manipulación del motor	3
4. Combustible, aceite de lubricación y agua de enfriamiento	5
5. Rodaje	7
6. Funcionamiento del motor	10
7. Mantenimiento y chequeos periódicos	15
8. Almacenaje por un largo plazo de tiempo	20
9. Localización de averías	21

1. Designación de las piezas

1-1. Designación de las piezas (Serie TNE)



2. Especificaciones

2. Especificaciones

Modelo	Unidad	2TNE68		3TNE68		3TNE74		3TNE78A		3TNE82A		3TNE84		3TNE88		4TNE84		4TNE88		3TNE84T		4TNE84T		
		Uso industrial	Uso industrial	Uso generador	Uso industrial	Uso generador	Uso industrial	Uso generador	Uso industrial	Uso generador	Uso industrial	Uso generador	Uso industrial	Uso generador	Uso industrial	Uso generador	Uso industrial	Uso generador	Uso industrial	Uso generador	Uso industrial	Uso generador	Uso industrial	Uso generador
Tipo		Motor Diesel con enfriamiento por agua, 4 ciclos																						
No. de cilindros		2	3	3	3	3	3	3	3	3	3	3	3	3	3	3	3	3	3	3	3	3	3	3
Alesaje	mm (in)	68 (2.68)	68 (2.68)	74 (2.91)	78 (3.07)	82 (3.23)	84 (3.31)	88 (3.46)	84 (3.31)	88 (3.46)	84 (3.31)	88 (3.46)	84 (3.31)	88 (3.46)	84 (3.31)	88 (3.46)	84 (3.31)	88 (3.46)	84 (3.31)	88 (3.46)	84 (3.31)	84 (3.31)	84 (3.31)	84 (3.31)
Carrera	mm (in)	72 (2.83)	72 (2.83)	78 (3.07)	84 (3.31)	84 (3.31)	90 (3.54)	90 (3.54)	90 (3.54)	90 (3.54)	90 (3.54)	90 (3.54)	90 (3.54)	90 (3.54)	90 (3.54)	90 (3.54)	90 (3.54)	90 (3.54)	90 (3.54)	90 (3.54)	90 (3.54)	90 (3.54)	90 (3.54)	90 (3.54)
Desplazamiento	litro pulg.cub.l	0.523 (31.93)	0.784 (47.84)	1.006 (61.59)	1.204 (73.47)	1.331 (81.22)	1.496 (91.29)	1.642 (100.2)	1.995 (121.7)	2.190 (133.6)	1.496 (91.29)	1.995 (121.7)	2.190 (133.6)	1.496 (91.29)	1.995 (121.7)	2.190 (133.6)	1.496 (91.29)	1.995 (121.7)	2.190 (133.6)	1.496 (91.29)	1.995 (121.7)	1.995 (121.7)	1.995 (121.7)	1.995 (121.7)
Revolución		2000~3600	2000~3600	3000/3600	2000~3600	3000/3600	2000~3600	3000/3600	2000~3000	1500/1800	2000~3600	3000/1500/1800	2000~3000	1500/1800	2000~3600	3000/1500/1800	2000~3000	1500/1800	2000~3600	3000/1500/1800	2000~3600	3000/1500/1800	2000~3600	3000/1500/1800
Aspiración		Aspiración natural																Turboalimentado						
Sistema de combustión		I D I									D I													
Dirección de revolución		Contramarcha del reloj (como visto dal volante)																						
Sistema de enfriamiento		Radiador																						
Sistema de lubricación		Lubricación forzada con bomba de trocoide																						
Sistema de arranque		Eléctrico																						
*1 Peso en vacío (con placa posterior/ con envoltura)	kg	59/65	70/81	85/105	112/128	112/128	138/155	138/155	160/170	160/170	142/160	165/175												
*2 Dimensiones	Longitud	mm (in)	400 (15.75)	463.5 (18.25)	469.1 (18.47)	520.5 (20.49)	520.5 (20.49)	556 (21.89)	556 (21.89)	632 (24.88)	632 (24.88)	632 (24.88)	641 (25.23)											
	Anchura	mm (in)	401 (15.79)	401 (15.79)	440 (17.32)	489 (19.25)	489 (19.25)	486 (19.13)	486 (19.13)	498.5 (19.63)	498.5 (19.63)	540 (21.26)	498.5 (19.63)											
	Altura	mm (in)	495 (19.49)	496 (19.53)	502 (19.76)	564 (20.20)	564 (22.20)	622 (24.49)	622 (24.49)	617 (24.29)	617 (24.29)	629 (24.76)	713 (28.07)											
*3 Capacidad del aceite de lubricación (Max./Utilill)	litro	1.6/0.6	2.4 / 1.0	2.4 / 1.0	3.6 / 1.3	3.6 / 1.3	4.7 / 1.8	4.7 / 1.8	5.8 / 2.3	5.8 / 2.3	4.7 / 1.8	5.8 / 2.3												
Capacidad del agua de enfriamiento (Sin el radiador)	litro	0.6	0.9	0.9	1.8	1.8	2.0	2.0	2.7	2.7	2.0	2.7												
Capacidad del alternador (estándar)	A/V	15/12	15/12	15/12	15/12	15/12	15/12	15/12	15/12	15/12	15/12	15/12												

*1: El peso del motor se ajusta a las especificaciones para motores VM YANMAR de serie.

*2: Las dimensiones del motor se ajustan a las especificaciones para motores VM YANMAR de serie con placa posterior (volante FAN).

*3: La capacidad del aceite de lubricación se ajusta a las especificaciones de motor VM YANMAR de serie con colector de aceite de serie. Sirvase leer la marca en la varilla medidora del aceite (vea la página 5 de este manual) v consulte el manual suministrado por el fabricante de la máquina.

3. Principios básicos que se deben mantener para la manipulación del motor

3. Principios básicos que se deben mantener para la manipulación del motor

Siga estrictamente las instrucciones siguientes para prolongar la duración del motor.

Nº	Item que se debe seguir	Detalles y problemas que pueden ocurrir si se olvidan las instrucciones
1	Ejecutar el rodaje cuando el motor es todavía nuevo.	Cuando el motor es todavía nuevo, aplicaciones de cargas pesadas pueden acortar la duración de servicio del motor. Observar las instrucciones siguientes cuando el motor es todavía nuevo.
2	Asegurarse de que el motor sea calentado correctamente.	Recalentar el motor al ralentí por aproximadamente 5 minutos después de arrancarlo para distribuir el aceite de lubricación en todas las piezas del motor. Si el motor no está recalentado suficientemente, las piezas rotativas pueden desgastarse mucho.
3	Uso del combustible con un valor de cetano mayor de 45.	Si se usa un combustible de calidad menor, se ocurrirán errores de arranque y el motor producirá un humo de escape de color blanco azulado.
4	Drenar el tanque de combustible.	Antes de operar el motor, abrir el grifo de drenaje del tanque de combustible y remover las precipitaciones del combustible.
5	Usar un aceite de lubricación de alta calidad.	El uso de un aceite de lubricación de calidad pobre causará el agarrado de la camisa del pistón, un desgaste excesivo de las piezas móviles u otros problemas. La duración de servicio del motor se acortará de este modo.
6	Reemplazar regularmente el aceite de lubricación y el elemento del filtro de lubricación.	<p>Intervalo de cambio del aceite de lubricación:</p> <p>1a vez Después de 50 horas</p> <p>2a vez y después Cada 200 horas</p> <p>Intervalo de reemplazo del elemento:</p> <p>1a vez Después de 50 horas</p> <p>2a vez y después Cada 400 horas</p> <p>⚠ PRECAUCION:</p> <ul style="list-style-type: none"> • El uso de un aceite de lubricación viejo causará un desgaste rápido de las piezas del motor y problemas al motor. • La presión del aceite disminuirá si el elemento es viejo o está obstruido con polvo. Esto causará agarramiento del cojinete principal y el polvo en el cojinete hará que éste se desgaste más rápidamente.

3. Principios básicos que se deben mantener para la manipulación del motor

7	Usar agua corriente limpia	El agua dura de los pozos hará que se produzcan incrustaciones en el sistema de enfriamiento. Esto reducirá el rendimiento del enfriamiento y elevará la temperatura del agua de enfriamiento hasta un nivel demasiado alto, originando agarrotamientos del pistón.
8	Suministrar un agente anti-corrosivo al agua de enfriamiento.	El óxido en el agua de enfriamiento no sólo acelerará la corrosión del sistema, sino que también acortará la duración de servicio del motor con pérdida de eficiencia de enfriamiento.
9	Usar un anticongelante cuando se opera el motor en áreas frías.	El anticongelante impedirá la congelación del agua de enfriamiento y la formación de grietas al motor. Si el agua de enfriamiento se congela, ella causará grietas al bloque de cilindros, radiador o bomba de agua de enfriamiento. Por lo tanto si no se usa un anticongelante, drenar cuidadosamente el agua de enfriamiento.
10	Reemplazar el agua de enfriamiento cada año.	El agua de enfriamiento contaminada tiene una eficiencia baja de enfriamiento y por lo tanto su temperatura puede aumentar excesivamente. Esto causará el agarrado del motor.
11	Antes de cada operación, siempre controlar el nivel de enfriamiento en el tanque auxiliar (motores con tanque auxiliar solamente). Además verificar el nivel del agua de enfriamiento en el radiador al menos una vez a la semana.	Si el agua de enfriamiento está agotada, la temperatura del agua de enfriamiento aumentará excesivamente causando así un agarrado del motor.
12	Verificar y ajustar la tensión de la correa del generador de carga/ventilador.	Una tensión incorrecta de la correa no podrá transmitir de modo apropiado la potencia de transmisión causando así un calentamiento excesivo de la correa y la dañará.
13	No utilizar el motor de arranque durante más de 15 segundos de forma continua.	Un uso continuo del motor de arranque por más de 15 segundos dañará el motor.
14	Tenga siempre bien en cuenta todas las etiquetas de precaución mencionadas por el fabricante del aparato.	

4. Combustible, aceite de lubricación y agua de enfriamiento

4. Combustible, aceite de lubricación y agua de enfriamiento

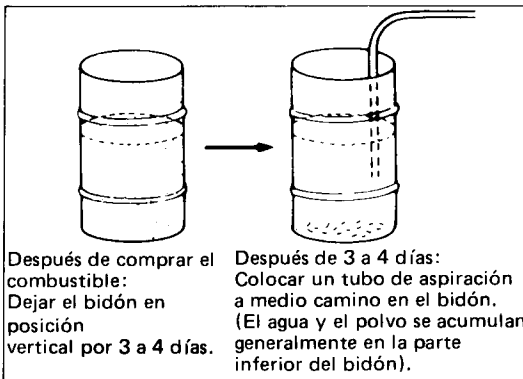
4-1. Selección y manipulación del combustible

(1) Selección del combustible

Usar un combustible para motores Diesel que es apropiado al motor. (Usar un aceite ligero con un valor de cetano mayor que 45).

(2) Manipulación del combustible

- 1) El agua y el polvo en el combustible causarán defectos al motor.
- 2) Colocar el bidón de combustible verticalmente por varios días a fin que el agua y el polvo se depositen al fondo del bidón. Usar el combustible que se sitúa en la parte superior del bidón.

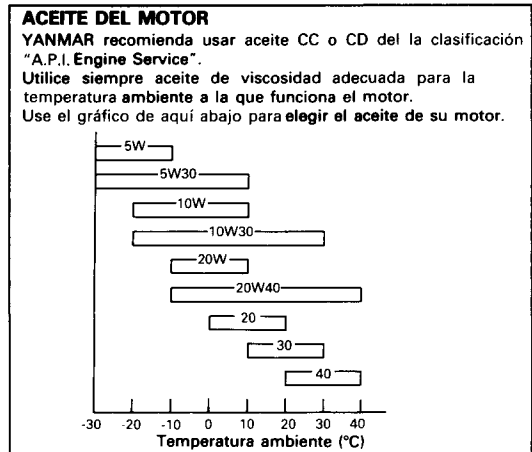


4-2. Selección y rellendado del aceite de lubricación

(1) Selección

Nada influye mayormente en el rendimiento y la vida del generador que el aceite de lubricación usado. Si se usa un aceite de calidad menor, o si no se cambia regularmente el aceite del motor, se aumentará el riesgo de agarrado del pistón, de anillos de pistón y se causará un desgaste rápido de la camisa del cilindro, de los cojinetes u otros componentes móviles. En este caso

la vida del generador se reducirá mucho. Yanmar recomienda el aceite CC/CD de "API Engine Service Classification".

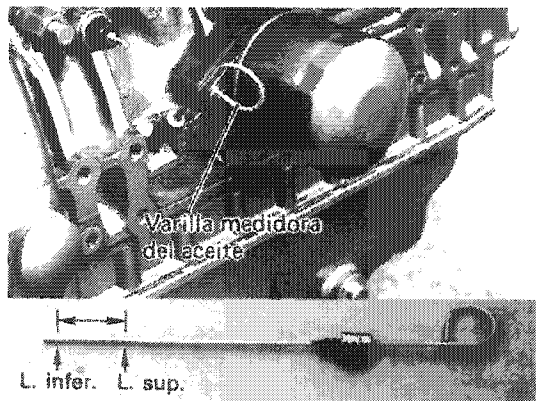


(2) Suministro del aceite de lubricación al cárter

Remover el tapón del orificio de relleno (amarillo) para suministrar aceite de lubricación al cárter.



Introducir la varilla medidora de aceite en el orificio y verificar si el aceite llega al límite superior de la varilla medidora de aceite.



4. Combustible, aceite de lubricación y agua de enfriamiento

PRECAUCION:

- Un poco de tiempo pasará antes de que el aceite de lubricación suministrado desde el orificio de relleno sea distribuida completamente en el cárter. Se recomienda esperar por aproximadamente 3 minutos, luego verificar de nuevo el nivel de aceite.
- Cuando se verifica el aceite, el motor debe estar nivelado correctamente. Será difícil medir el nivel si el motor está inclinado.
- La cantidad de aceite de lubricación en el cárter se reducirá durante el rodaje de un motor nuevo, puesto que el aceite se extiende hasta el enfriador y la tubería del aceite de lubricación. Interrumpir inmediatamente el funcionamiento del motor y esperar por aproximadamente 3 minutos antes de controlar de nuevo el nivel de aceite.
- Al llenar el cárter con aceite de lubricación no sobrepasar nunca el nivel de la marca del límite superior de la varilla del aceite.

4-3. Agua de enfriamiento

(1) Manipulación del agua de enfriamiento

- 1) Usar el agua corriente limpia (con un agente anticorrosivo)

PRECAUCION:

El agua dura de los pozos o de mar producirá una oxidación al sistema del agua de enfriamiento, reduciendo así la eficiencia de enfriamiento y un recalentamiento excesivo.

2) Uso de un anticongelante

Usar un anticongelante si se opera el motor en una área donde la temperatura llegará a un valor menor que el punto de congelación. El uso de un anticongelante eliminará la necesidad de drenaje cotidiano del agua de enfriamiento. Para mayor seguridad, elegir una temperatura que sea de aproximadamente 5°C más baja que la temperatura mínima de la localidad donde se usa el motor, luego determinar la razón de mezcla según las instrucciones dadas por el fabricante del anticongelante.

PRECAUCION:

- **Para usar el anticongelante, drenar primero completamente el agua de enfriamiento del radiador y del motor, y luego suministrar la mezcla de anticongelante hasta la boca del orificio de relleno del agua de enfriamiento del radiador. Hacer funcionar el motor durante unos 30 minutos para mezclar completamente el anticongelante con el agua y luego guardar el motor.**
- Para las instrucciones sobre el drenaje del agua de enfriamiento, referiéndose a la página 16.
- Normalmente el anticongelante queda eficiente por un año. Referiéndose a las instrucciones dadas por el fabricante del anticongelante.

4. Combustible, olio lubricante e acqua di raffreddamento

- 3) Si no se usa anticongelante en invierno, drenar el agua de enfriamiento del radiador y del cilindro después de cada operación.

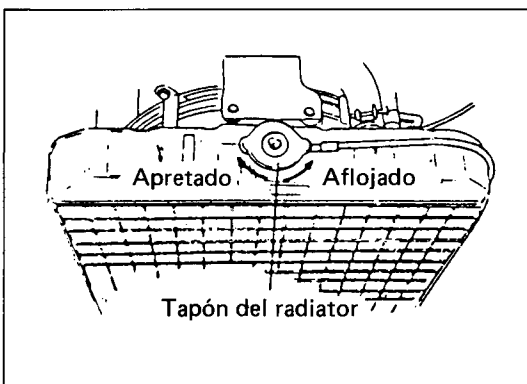
⚠ PRECAUCION:

Si el agua de enfriamiento queda en el motor, podrá congelarse y causar grietas al radiador, a la bomba de agua de enfriamiento y al cilindro.

(2) Verificación y suministro del agua de enfriamiento

1) Suministro del agua al radiador

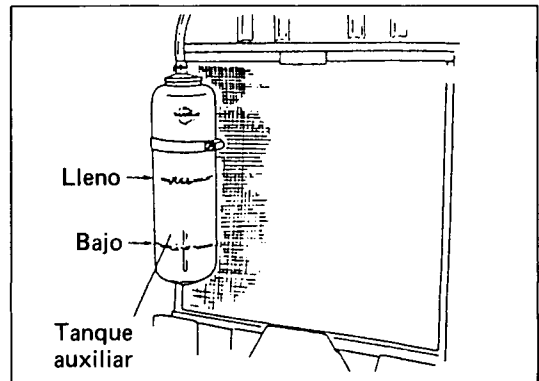
Remover el tapón de la parte superior del radiador para suministrar agua de enfriamiento. El tapón puede quitarse girándolo unos 120 grados en el sentido opuesto al de las agujas del reloj. Antes de hacer el rodaje del motor, rellenar con agua corriente limpia hasta la boca del orificio de relleno. Para apretar, introducir la oreja posterior del tapón en la ranura del orificio de relleno y girar presionando el tapón en el sentido de las agujas del reloj.



2) Verificación y suministro del agua de enfriamiento (motores con tanque auxiliar)

Verificar el nivel de agua de enfriamiento con respecto a las marcas de referencia "Full" (lleno) y "Low" (bajo) del tanque auxiliar.

Remover el tapón de la parte superior para rellenar. Rellenar hasta la marca "Full" (lleno).



(3) Drenaje del agua de enfriamiento

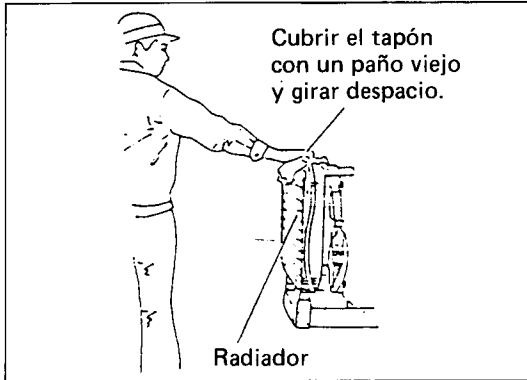
⚠ ADVERTENCIA:

El agua de enfriamiento se congela a temperaturas frías si no se utiliza anticongelante o la proporción correcta de mezcla de anticongelante. Asegurese de drenar el agua de enfriamiento después de parar el motor. Drenar también el agua de enfriamiento por completo antes de guardar el motor durante un largo tiempo. Si no lo hace así, el agua del cilindro puede congelarse y causar grietas en el cilindro.

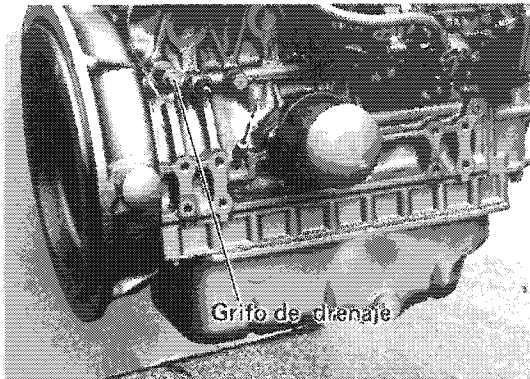
- Antes de drenar el agua de enfriamiento, remover el tapón de presión del radiador. Si no se remueve este tapón, será difícil efectuar el drenaje del agua de enfriamiento y se ejecutará un drenaje incompleto.
- El motor debe estar frío. Evitar quemarse cuando se remueva el tapón de presión. Alejar su cara del tapón, cubrir el tapón con un paño viejo, extender su brazo y girar despacio el tapón a fin de reducir la presión dentro del radiador.

4. Combustible, aceite de lubricación y agua de enfriamiento

5. Rodaje



- 1) Aflojar el tapón al lado del cuerpo del cilindro para drenar el agua del cilindro.



5. Rodaje

Para operar el nuevo motor, proceder del modo siguiente.

5-1. Combustible

Suministrar el combustible al tanque de combustible.

⚠ PRECAUCION:

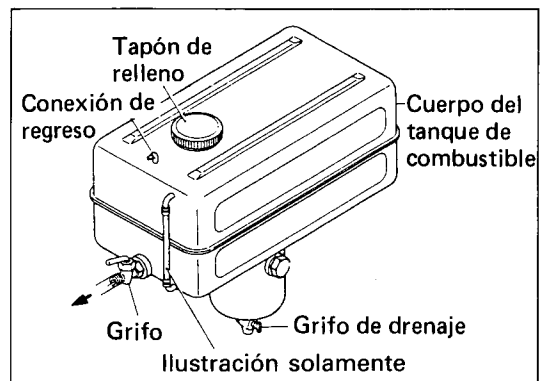
Para evitar verter el combustible, rellenar hasta 80 a 80% de la capacidad del tanque.

Durante las operaciones subsiguientes, observar cuidadosamente las instrucciones siguientes:

(1) Drenaje del tanque de combustible

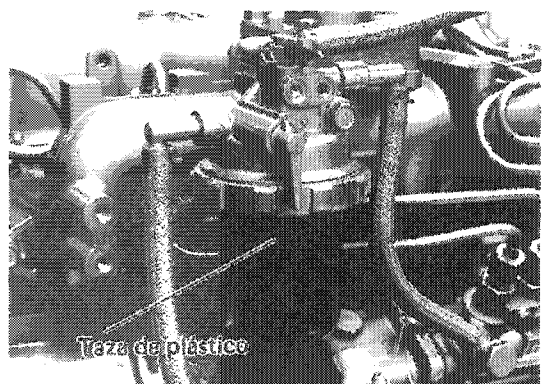
Aunque se use solamente el combustible de la parte superior del bidón de combustible, ha sin embargo un poco de impurezas compuestas de agua y polvo. Estas impurezas deberán ser eliminadas antes de llegar a las piezas internas del motor.

Se debe instalar un colector de precipitaciones y un grifo de drenaje al fondo del tanque de combustible. Antes de operar el motor, abrir el grifo y eliminar los sedimentos de combustible.



(2) Drenaje del filtro de combustible

Antes de operar el motor, verificar si la taza de plástico transparente del filtro de combustible no tiene agua y polvo. Si hay mucho polvo, desmontar y limpiar el filtro. (Seguir esta instrucción para los modelos de motor con colector de agua).



5. Rodaje

- (3) No rellenar con combustible mientras el motor está funcionando



ADVERTENCIA:

Para evitar todo riesgo de incendio, interrumpir el funcionamiento del motor antes de rellenar con combustible.

5-2. Purga del sistema de combustible

Purgar el sistema de combustible siguiendo este procedimiento. La bomba de inyección no puede funcionar si hay aire en las conducciones de combustible.

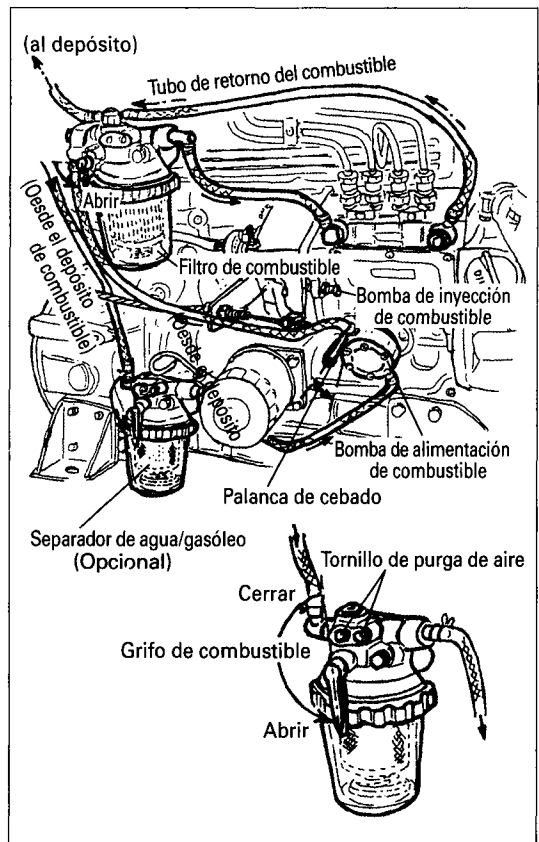
- (1) Examinar la cantidad de combustible que hay en el depósito. Si no es bastante, repostar.
- (2) Abrir las llaves del separador gasóleo/agua y del filtro de combustible.
- (3) Aflojar el tornillo de purga de aire en la parte alta del separador de agua/gasóleo, dando 2 - 3 vueltas con un destornillador.
- (4) Cuando el gasóleo que sale por el orificio de purga esté limpio y sin mezclar con burbujas, apretar el tornillo de purga de aire.
- (5) Enviar combustible con la bomba de alimentación.

Bomba electromagnética de alimentación de combustible

Cuando el interruptor de arranque se pone en ON, la bomba de alimentación de combustible empieza a funcionar y realiza automáticamente la purga del sistema de combustible.

Bomba mecánica de alimentación de combustible

Subir y bajar la palanca que hay al lado de la bomba de alimentación de combustible para alimentar combustible. Seguir haciéndolo hasta que suba el nivel de combustible dentro del filtro, con lo que se purga el sistema.



5. Rodaje

6. Funcionamiento del motor

5-3. Lubricación de las piezas del motor

- (1) Lubricar la palanca del acelerador.

5-4. Distribución del aceite de lubricación

Si se usa el motor después de un largo plazo de tiempo (por más de un mes), será necesario circular el aceite de lubricación del modo siguiente, antes de proceder de nuevo con las operaciones normales del motor.

- (1) Desconectar la máquina.
(Interrumpir el embrague).
- (2) Desplazar la palanca del acelerador en la posición de paro "STOP".
- (3) Ajustar la llave del arrancador en la posición de arranque "START" y operar el motor por aproximadamente 15 segundos.
- (4) Esperar por aproximadamente 15 a 20 segundos, luego operar el motor de nuevo por otros 15 segundos. (Repetir este procedimiento 2 ó 3 veces).

5-5. Control de las lámparas pilotos

Verificar que el estado de las lámparas pilotos del talero de instrumentos coincide con lo descrito en la tabla siguiente cuando la llave del arrancador está conectada y el motor no está funcionando.

Lámpara piloto	Lámpara de alarma de presión baja del aceite de lubricación	Encendida
	Lámpara de carga	Encendida
	Lámpara de alarma de temperatura del agua de enfriamiento	Apagada

(Si está instalado el panel Yanmar)

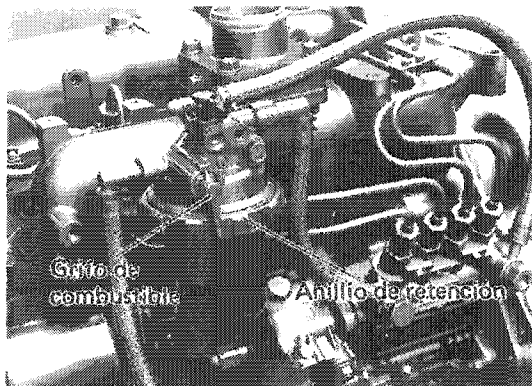
6. Funcionamiento del motor

Limpiar el área alrededor del motor. Remover las herramientas u otros obstáculos cerca del volante de motor, de las piezas rotativas y de la parte superior del motor.

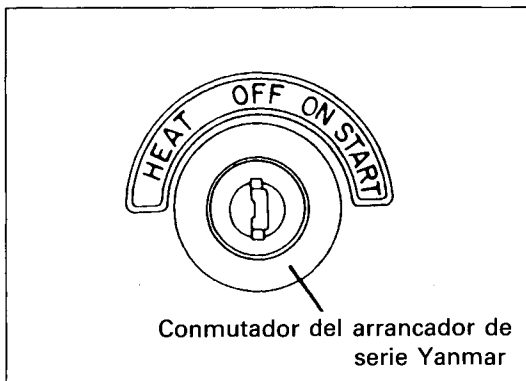
Antes de operar el motor, verificar si no hay obstáculos alrededor del motor, especialmente alrededor de las piezas rotativas.

6-1. Arranque

- (1) Desconectar la máquina.
- (2) Girar el grifo de combustible en la posición de apertura "OPEN".



- (3) Para los modelos con colector de agua, girar el grifo de combustible en la posición de apertura "OPEN".
- (4) Girar la palanca del acelerador en la posición de arranque/marcha "START/RUN".
- (5) Girar la llave del conmutador del arrancador en la posición de arranque "START" para arrancar el motor.



6. Funcionamiento del motor

Cuando se arranca el motor, disparar la llave, la cual regresará automáticamente en la posición "ON" (conectada). (No desconectar el conmutador de la batería aunque si se ha arrancado el motor). En la posición "ON", los indicadores del tablero de instrumentos entran en funcionamiento.

⚠ PRECAUCION:

Protección de la batería

No hacer funcionar el motor del arrancador durante más de 15 segundos a la vez. Si no puede arrancarse el motor, esperar unos 30 segundos antes de usar de nuevo el arrancador.

Rearranque del motor

Verificar si el volante está detenido completamente antes de girar el conmutador del arrancador en la posición de arranque "START".

- Se puede dañar el motor de arranque o el volante si se opera el conmutador del arrancador mientras el volante está en movimiento.
- Los motores con un relé de seguridad en el circuito no pueden arrancarse de nuevo a menos que el conmutador del arrancador haya sido desconectado una vez desde el arranque del motor del arrancador.

Arranque cuando el tiempo está frío

- Girar la llave del arrancador en el sentido opuesto de las agujas del reloj en la posición "GLOW" (ó "HEAT") y dejarla en esta posición por aproximadamente 15 a 20 segundos. (Aproximadamente 8 segundos para motores con dispositivo de calentamiento rápido).
- Luego reposicionar la llave del arrancador en la posición "START" (arranque) para arrancar el motor.

6-2. Precauciones después el arranque del motor

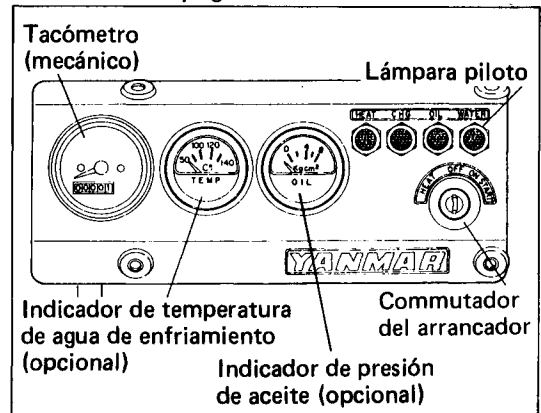
Cuando el motor ha arrancado, observar las instrucciones siguientes (la máquina debe estar desconectada):

- (1) Recalentar el motor por más de 5 minutos.

⚠ PRECAUCION:

- El aceite de lubricación no se extiende completamente al cojinete principal y a las otras piezas móviles por un cierto período después del arranque. Para proteger estas piezas contra el desgaste, será necesario operar el motor al ralentí por aproximadamente 5 minutos.
- Para el rodaje, operar el motor a baja velocidad por aproximadamente 15 a 20 minutos.

- (2) Aumentar la velocidad del motor a más de 800 RPM y verificar si la lámpara piloto de alarma de presión baja de aceite y la lámpara piloto de carga no están apagadas.



Panel de serie Yanmar

⚠ ADVERTENCIA:

Si las lámparas piloto no se apagan cuando la velocidad del motor sobrepasa las 1000 rpm, el motor estará defectuoso. En este caso, parar el motor inmediatamente y ponerse en contacto con el distribuidor Yanmar más cercano.

6. Funcionamiento del motor

6-3. Precauciones durante el funcionamiento

Verificar los puntos siguientes una o dos veces al día durante el funcionamiento del motor.

(1) Color del gas de escape

El color negro del gas de escape indica que el motor está sometido a tensión. Su funcionamiento continuo acortará la duración del motor. Detener el funcionamiento del motor cuando se emitan gases de escape de color negro.

(2) Pérdida de agua y aceite

Verificar que no haya pérdidas de agua, aceite o gas de combustión, tornillos aflojados y ruido anormal, vibraciones excesivas o recalentamiento del motor. Si encuentra alguna anomalía, consulte inmediatamente con su distribuidor Yanmar más cercano.

(3) Evitar el funcionamiento del motor en el alcance de resonancia.

⚠ ADVERTENCIA:

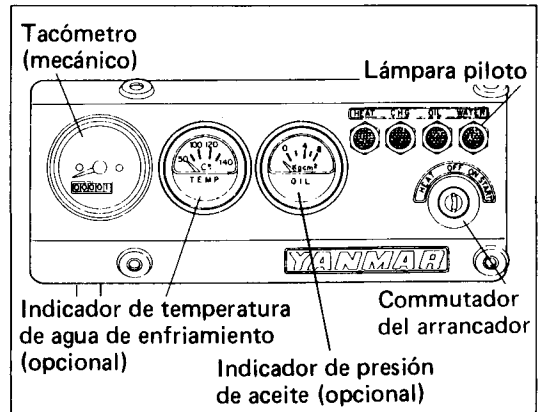
Según el tipo de máquina impulsada, las vibraciones del motor serán excesivas en un cierto alcance de velocidad debido a la resonancia del motor con la bancada del motor en este alcance.

(4) Lámparas de alarma

● Lámpara piloto de presión baja de aceite ("OIL")

Si la lámpara de alarma de presión baja de aceite se enciende o se apaga mientras el motor funciona a una velocidad mayor que el ralentí, verificar si el aceite de lubricación queda a un nivel excesivamente bajo. Si el nivel es excesivamente bajo, significa que hay una anomalía en el circuito del aceite de

lubricación. Un funcionamiento continuo causará el agarrado del motor. Interrumpir inmediatamente el funcionamiento del motor y consultar al distribuidor de Yanmar.



(Nota):

Para verificar el nivel de aceite de lubricación, interrumpir el funcionamiento del motor y esperar por más de 3 minutos.

● Lámpara piloto de carga ("CHG")

Si la lámpara piloto de carga se enciende o está encendida mientras el motor funciona a más de 800 rpm, significa que hay un defecto en el circuito de carga o en la correa del ventilador (deslizamiento o daño). En este caso, parar el motor y verificar. Si está bien la correa del ventilador, ponerse en contacto con el distribuidor Yanmar más cercano.

● Lámpara piloto de temperatura del agua de enfriamiento ("WATER")

Si la lámpara piloto de la temperatura del agua de enfriamiento está encendida durante el funcionamiento con carga del motor, significa que el motor está sobrecalentado. En este caso, parar inmediatamente el funcionamiento del motor y verificar la tensión de la correa del ventilador y el nivel del agua de

6. Funcionamiento del motor

enfriamiento. Si ambos son correctos, ponerse en contacto con el distribuidor Yanmar más cercano.

ADVERTENCIA:

- **No chequear el nivel del agua de enfriamiento mientras el radiador está todavía caliente. Vapor o agua caliente puede escapar violentamente si se remueva el tapón del radiador inmediatamente después de la detención del motor.**
- **Cuando se remueva el tapón del radiador, alejar su cara y cubrir el tapón con un paño. Girar despacio el tapón para liberar la presión del radiador.**

(5) Ruido anormal

Si se producen ruidos anormales mientras funciona el motor, parar pronto el motor y buscar la causa del problema. Si no se puede localizar la causa del problema, ponerse en contacto con el distribuidor Yanmar más cercano.

6-4. Detención del motor

- (1) **Operar el motor al ralentí antes de detenerlo**
 - 1) Para interrumpir el funcionamiento del motor, desconectar la máquina y operar el motor a baja velocidad por aproximadamente 5 minutos.
 - 2) Desplazar la palanca del acelerador a la posición de uso continuo ("Continuous Use"). Será necesario aumentar la velocidad del motor una vez más para hacer descargar la carbonilla del cilindro.
 - 3) Reducir la velocidad del motor al ralentí más bajo e interrumpir el suministro de combustible para detener el funcionamiento del motor.

PRECAUCION:

Si se detiene el motor inmediatamente después de quitar la carga, aumentará de repente la temperatura de las piezas del motor y esto podría originar problemas en el motor.

Hacer funcionar siempre el motor sin carga a baja velocidad durante unos 5 minutos.

(2) Después de la detención del motor

Después de detener el funcionamiento del motor, cerrar el grifo de combustible o el grifo del colector de agua.

(3) Remover el polvo y la tierra, luego limpiar el motor mientras está todavía caliente.

(4) Desconectar el conmutador de la batería (si el motor tiene un conmutador de batería).

(5) Remover la llave del arrancador.

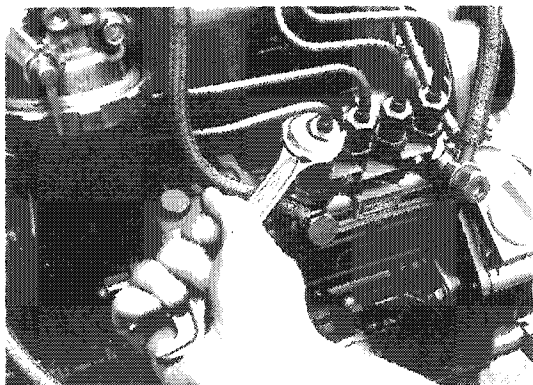
ADVERTENCIA:

Detención de emergencia

Si no se puede detener el motor con la palanca de paro del motor (o la palanca del acelerador), o si no se puede reducir la velocidad del motor por medio de la palanca del acelerador, interrumpir el funcionamiento del motor del modo siguiente.

- (a) **Blóquear el suministro de aire.**
- (b) **Cerrar el grifo de combustible.**
- (c) **Aflojar todas las tuercas al lado de la bomba de inyección o al lado del inyector del combustible. Esta operación permitirá cortar el suministro de combustible y se detendrá el motor.**

6. Funcionamiento del motor



En casos como éste, póngase en contacto con su distribuidor Yanmar más cercano para localizar las causas del problema y reparar el motor.

7. Mantenimiento y chequeos periódicos

7. Mantenimiento y chequeos periódicos

El mantenimiento y los chequeos periódicos son esenciales para que el motor sea duradero y siempre en buena condición.

El diagrama indicado a continuación describe los chequeos y el intervalo de ejecución de estos chequeos.

○: Verificar ⊙: Reemplazar ●: Consulte a su concesionario local

Ítem	Contenido	Intervalo					
		Diariamente	Cada 50 hrs	Cada 200 hrs	Cada 400 hrs	Cada 1000 hrs	Cada 2000 hrs
Combustible	Verificación y suministro de combustible al depósito	○					
	Drenaje del depósito de combustible		○				
	Limpieza del separador de aceite/agua		○				
	Reemplazo del elemento del filtro de combustible				⊙		
Aceite lubricante	Verificación de la cantidad de aceite lubricante	○					
	Reemplazo del aceite lubricante		⊙ Primera vez	⊙ Segunda vez y después			
	Reemplazo del elemento del filtro de aceite lubricante		⊙ Primera vez	⊙ Segunda vez y después			
Agua de refrigeración	Verificación y suministro de agua refrigerante	○					
	Limpieza de las aletas del radiador			○			
	Verificación de la tensión de la correa trapecial		○ Primera vez	○ Segunda vez y después			
	Reemplazo del agua de refrigeración						
	Limpieza y verificación del pasaje del agua de refrigeración					⊙	
Manguera de goma	Verificación y reemplazo de la tubería de combustible y de la tubería de refrigeración						●
Sistema de funcionamiento	Verificación y ajuste del acelerador y de la palanca del regulador	○		○			●
Sistema de admisión	Limpieza del filtro de aire y reemplazo del elemento			○	⊙		
	Verificación y ajuste del tuboalimentador					●	
Equipo eléctrico	Verificación de lámparas de alarma y dispositivos	○					
	Verificación y suministro de electrolito a la batería		○				
Culta de cilindros	Ajuste del juego de las válvulas de admisión y escape					●	
	Rectificado de las válvulas de admisión y escape						●
Bomba de combustible y válvula de inyección	Verificación y limpieza de la boquilla de la válvula de combustible					●	
	Verificación y ajuste de la presión de inyección de combustible y condición de la atomización					●	
	Verificación y ajuste de la bomba de combustible						●

7. Mantenimiento y chequeos periódicos

7-1. Chequeo y ajuste del sistema de combustible

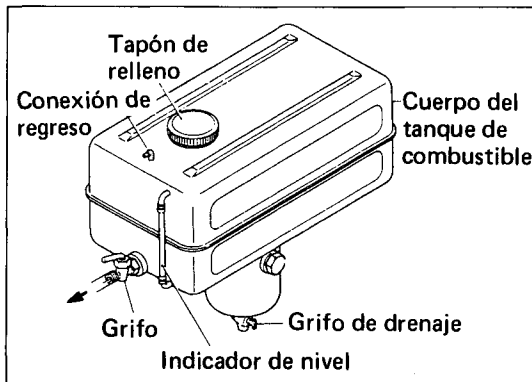
(1) Chequeo del nivel de combustible y suministro del combustible

Suministrar combustible limpio al tanque de combustible.

Intervalo de chequeo	Cada día
----------------------	----------

(2) Drenaje del tanque de combustible

Abrir el grifo de drenaje en la parte inferior del tanque y drenar los sedimentos.



Intervalo de chequeo	Una vez al mes
----------------------	----------------

(3) Drenaje del filtro de combustible, limpieza y reemplazo del elemento

Drenaje

Remover el fondo del bastidor del filtro de combustible y extraer el agua y el polvo.

Intervalo de chequeo	Cada 200 horas
----------------------	----------------

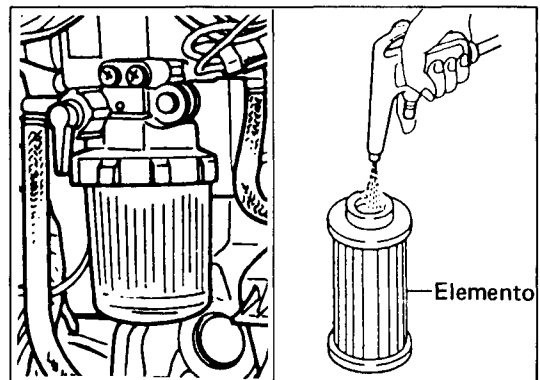
Limpieza y reemplazo del elemento

Remover el fondo del bastidor del filtro de combustible y limpiar o reemplazar el elemento.

Intervalo de chequeo	Limpieza Cada 200 horas
	Reemplazo Cada 400 horas

Para remover el elemento, quitar el anillo de retención del filtro de combustible.

Limpiar el elemento con aceite ligero y aplicar aire comprimido (2 a 3 kg/cm²) a través del elemento para eliminar el polvo.



⚠ PRECAUCION:

No usar gasolina para limpiar el elemento.

Además remover el polvo y el agua que están depositados en el fondo de la trampa en el filtro de combustible.

(4) Separador agua/gasóleo (colector de sedimentos): opción

Proceder con las mismas instrucciones que para el filtro de combustible.

7. Mantenimiento y chequeos periódicos

7-2. Sistema de aceite de lubricación

(1) Verificación del nivel de aceite en el cárter

Antes de hacer funcionar el motor, quitar la varilla medidora de aceite y verificar si el nivel del aceite queda entre los límites superior e inferior. Si la cantidad de aceite es insuficiente, suministrar una cantidad adicional.

Intervalo de chequeo	Cada día (antes de comenzar las operaciones)
----------------------	--

(2) Reemplazo del aceite de lubricación

Se recomienda drenar el aceite de lubricación mientras el motor está todavía caliente. Reemplazar el aceite de lubricación del modo siguiente:

Intervalo de reemplazo	1a vez . . . Cada 50 horas
	2a vez y después . . Cada 200 horas

⚠ PRECAUCION:

Reemplazar el aceite de lubricación más frecuentemente cuando se usa el motor en un lugar empolvado.

(3) Reemplazo del filtro de aceite de lubricación

Remover el filtro y reemplazarlo.



Intervalo de reemplazo	1a vez . . . Cada 50 horas
	2a vez y después . . Cada 400 horas

⚠ PRECAUCION:

Reemplazar el filtro más frecuentemente cuando se usa el motor en un lugar empolvado.

7-3. Sistema de agua de enfriamiento

(1) Chequeo del nivel del agua de enfriamiento

[Motores con tanque auxiliar]

Se efectúan los chequeos cotidianos observando el nivel de agua del tanque auxiliar. Si el nivel es bajo, rellenar hasta el límite "FULL" (lleno). Luego ajustar a prensa la cubierta.

Nota:

- Chequear el nivel de agua de enfriamiento cuando el motor está frío. El agua de enfriamiento del radiador fluye hacia el tanque auxiliar cuando el motor está todavía caliente, y en este caso no se podrán efectuar los chequeos.
- Verificar si hay pérdidas en el radiador y en las mangueras.

[Motores sin tanque auxiliar]

Remover el tapón del radiador y verificar el nivel de agua.

⚠ ADVERTENCIA:

- No chequear el nivel del agua de enfriamiento mientras el radiador está todavía caliente. Vapor o agua caliente puede escapar violentamente si se remueve el tapón del radiador inmediatamente después de la detención del motor.

7. Mantenimiento y chequeos periódicos

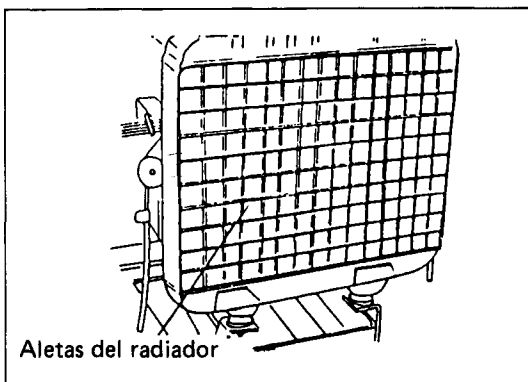
- Cuando se remueva el tapón del radiador, alejar su cara y cubrir el tapón con un paño y girar despacio el tapón para liberar la presión del radiador.



Intervalo de chequeo	Cada día
----------------------	----------

- (2) Verificar si las aletas y la rejilla del radiador están obstruidas.

Si las aletas están obstruidas, aplicar aire comprimido a las aletas o aclarar con agua para remover el polvo. La obstrucción de las aletas del radiador causará un recalentamiento del motor.



- (3) Reemplazo del agua de enfriamiento

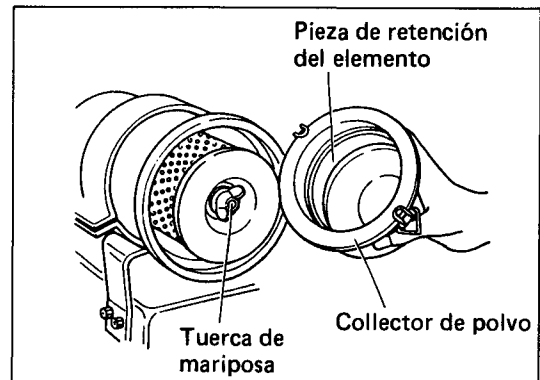
Si el agua de enfriamiento está contaminada, se reducirá la eficiencia del agente anticorrosivo.

Intervalo de reemplazo	Cada año
------------------------	----------

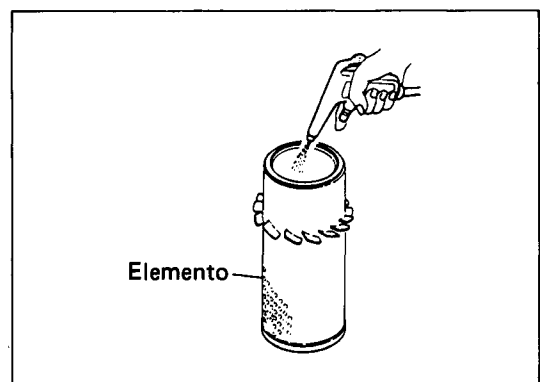
7-4. Sistema de admisión de aire

(1) Limpieza del filtro de aire

- 1) Desmontar el filtro de aire para remover el elemento del filtro y luego aplicar aire comprimido. Aplicar aire comprimido (3-5kg/cm²) a través del elemento para remover el polvo. Volver a montar el filtro de aire en orden inverso.



La ilustración muestra un filtro de aire típico.



* El aire debe aplicarse desde el interior.

- 2) Separar la pieza de retención del elemento del colector del polvo y remover el polvo de la pieza de retención, si el filtro de aire es del mismo tipo que el de la ilustración.

7. Mantenimiento y chequeos periódicos

PRECAUCION:

- Si se usa el motor en lugares con mucho polvo, limpiar el elemento cada 50 horas.
- No golpear el elemento contra objetos sólidos para remover el polvo. El elemento puede deformarse y dañarse, y el polvo podría entrar a través de las grietas.
- No perforar el elemento u operar el motor sin instalar el elemento. (El polvo causará un desgaste rápido de las piezas internas del motor).

PRECAUCION:

- No contaminar el elemento con aceite, etc.

7-5. Chequeo del cuerpo del motor

(1) Cuerpo del motor

Para los chequeos y ajustes de las piezas siguientes, ponerse en contacto con el distribuidor Yanmar más cercano.

Chequeos y ajustes	Intervalo de servicio
Ajuste del juego de las válvulas de escape y admisión	Cada 1000 horas

(2) Lubricación de la palanca del acelerador

Lubricar el eslabón del regulador para lograr un funcionamiento suave.

Intervalo de lubricación	Cada día (antes de las operaciones)
--------------------------	-------------------------------------

7-6. Chequeo del equipo eléctrico

Chequeo de las lámparas pilotos

Verificar si las lámparas piloto funcionan correctamente. Si hay alguna anomalía, parar inmediatamente el funcionamiento del motor y ponerse en contacto con el distribuidor Yanmar más cercano.

Intervalo de chequeo	Cada día
----------------------	----------

Quando el conmutador de llave está conectado:

1) Cuando no se opera el motor

Lámpara de alarma	Lámpara de alarma de presión baja del aceite	Encendida
	Lámpara de alarma de carga	Encendida
	Lámpara de alarma de temperatura del agua de enfriamiento	Apagada

2) Cuando se opera el motor

Lámpara de alarma	Lámpara de alarma de presión baja del aceite	Apagada
	Lámpara de alarma de carga	Apagada
	Lámpara de alarma de temperatura de agua de enfriamiento	Apagada

Las tablas anteriores son efectivas en el panel de serie Yanmar.

7-7. Chequeo y ajuste de la tensión de la correa de mando del ventilador

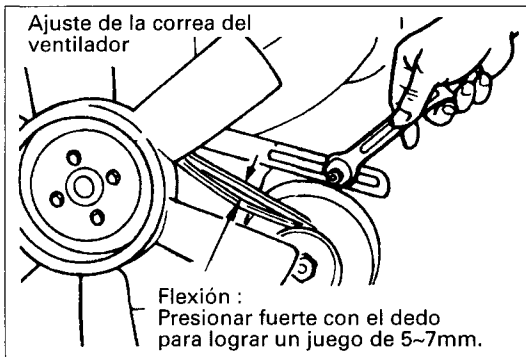
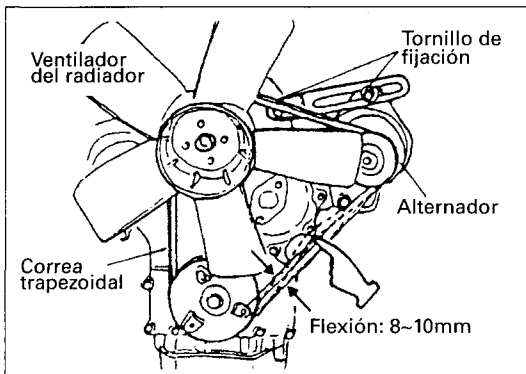
Una tensión excesiva de la correa en "V" acelerará su desgaste, mientras una tensión insuficiente no producirá la potencia apropiada a la polea. En este caso se recomienda ajustar la tensión de la correa del modo siguiente:

7. Mantenimiento y chequeos periódicos

8. Almacenaje por un largo plazo de tiempo

- (1) Aflojar el perno de ajuste y desplazar el generador de carga hacia afuera para aumentar la tensión, o desplazar el generador hacia dentro para reducir la tensión.
- (2) No permitir que el aceite entre en contacto con la correa. La correa se deslizará si se ensucia con aceite.

Flexión de la correa	8~10 (5~7)mm
Intervalo de chequeo	1 a vez 50 horas 2a vez y después Cada 200 horas



8. Almacenaje por un largo plazo de tiempo

- (1) Almacenar el motor en un lugar ventilado apropiadamente y lejos del polvo y de la humedad.
- (2) Seguir con cuidado estas instrucciones cuando se almacena el motor por un largo plazo de tiempo (3 meses o más):

- 1) Remover el fango, aceite, etc. de la superficie del motor.
- 2) Cambiar el aceite del motor. Cambiar el filtro de aceite de lubricación.
- 3) Operar el motor una vez al mes cuando es posible. Si no es el caso, seguir las instrucciones desde el comienzo del almacenaje, y después cada 6 meses.

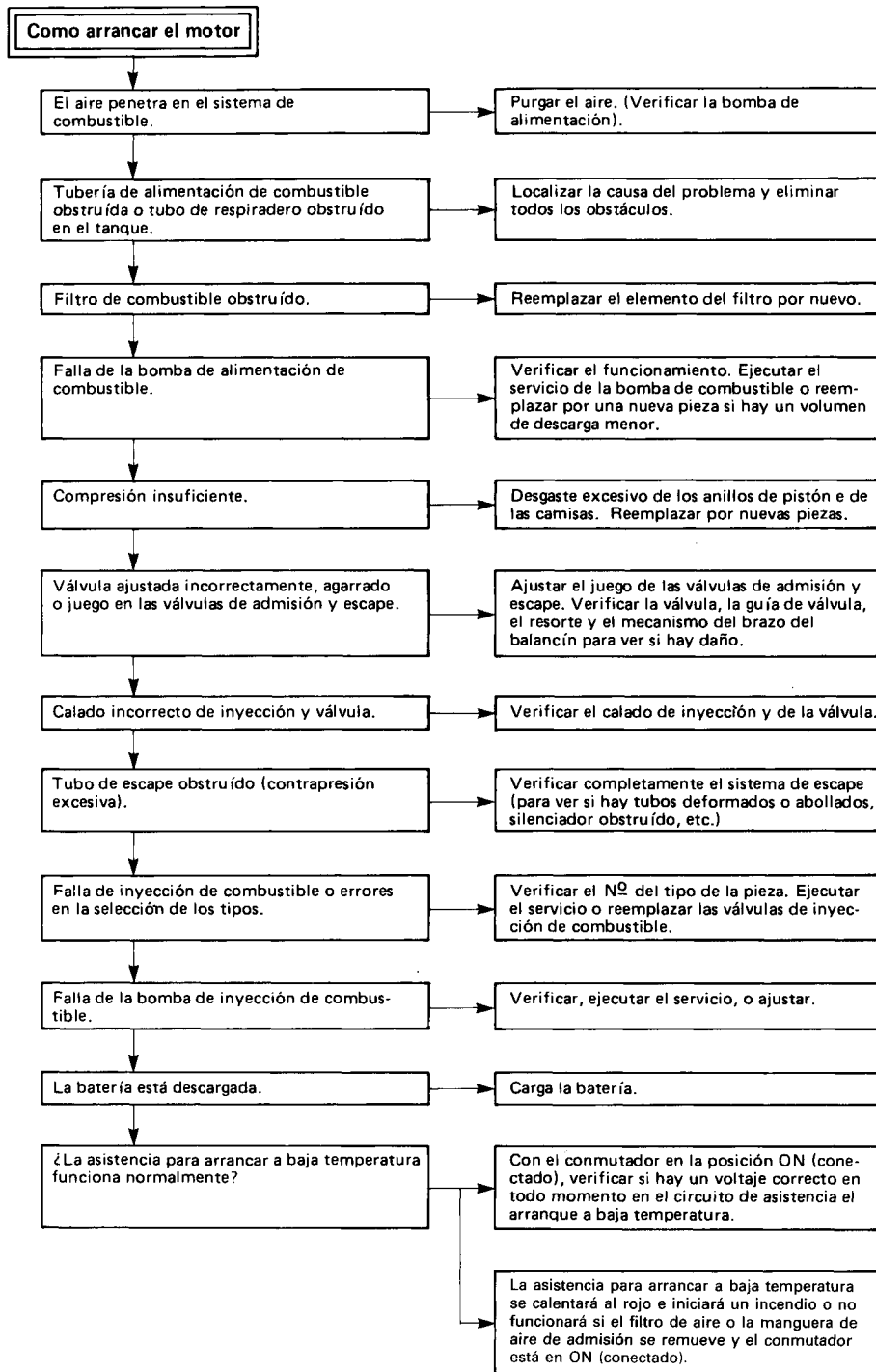
- Remover las válvulas de inyección de combustible de los cilindros. Suministrar a cada cámara de combustión aproximadamente 2 cm³ de aceite limpio para motor usando una caja de aceite. Fijar y apretar las válvulas de inyección.
 - Girar la palanca del acelerador en la posición de detención "STOP".
 - Girar la llave del arrancador. Operar el motor por más de 10 segundos de modo que las paredes de cilindro sean lubricadas de modo uniforme.
- 4) Dejar el agua de enfriamiento con el anticongelante en esta condición, siempre que el anticongelante no sea excesivamente viejo.
 - 5) Aplicar una mano delgada de aceite limpio a cualquier superficie no cubierta del motor.
 - 6) Cubrir el silenciador de escape, el filtro de aire, etc., con una hoja de plástico para impedir al aire húmedo penetrar en el motor. Proteger con cuidado y del mismo modo el sistema eléctrico contra la humedad.
 - 7) Remover las baterías del motor y cargarlas completamente antes de almacenarlas. Además cargar las baterías cada mes durante el almacenaje, puesto que se descargarán naturalmente (autodescarga).

⚠ PRECAUCION:

- **No suministrar más de 2 cc de aceite a cada cilindro pues, en caso contrario, puede ocasionar daños internos al motor.**

9. Localización de averías

9. Localización de averías



Si no se puede localizar la causa del problema, consulte a su distribuidor Yanmar.

ITALIANO

MOTORE DIESEL SERIE TNE

MANUALE DI ISTRUZIONI

Grazie per aver acquistato un prodotto Yanmar

YANMAR POWER TECHNOLOGY CO., LTD.

Vi porge le sue congratulazioni per la scelta di un prodotto YANMAR.

Questo Manuale di Istruzioni spiega come far funzionare e come eseguire la manutenzione del nuovo motore Yanmar TNE. Vi preghiamo di leggerlo prima di usare il motore TNE, per essere certi di impiegarlo e farlo funzionare correttamente. Per mantenere il motore nella migliore condizione di funzionamento, vogliate attenervi scrupolosamente alle istruzioni riportate nel manuale. Per qualsiasi chiarimento in merito, non esitate a contattare il più vicino concessionario Yanmar.

Il presente manuale di istruzioni tratta i punti principali per l'uso del motore TNE.

Le illustrazioni contenute in questo manuale si riferiscono al motore 4TNE84.

Per assicurarvi condizioni di lavoro sicure, non mancate di leggere attentamente in merito alle precauzioni da osservare per un uso sicuro del motore TNE.

Prestate particolare attenzione alle indicazioni precedute dalle seguenti parole:

ATTENZIONE:

Indica un forte pericolo di gravi danni alle persone o morte in caso di mancata osservanza delle istruzioni.

PRECAUZIONE:

Indica la possibilità di danni alle persone o all'apparecchio in caso di mancata osservanza delle istruzioni.

Nota:

Fornisce informazioni utili.

Dovesse presentarsi un problema, o doveste aver bisogno di qualche chiarimento, vogliate contattare un concessionario Yanmar autorizzato.

ATTENZIONE:

Il motore Yanmar TNE è predisposto per un funzionamento sicuro ed affidabile se viene usato secondo le istruzioni.

Leggete con cura le istruzioni per l'uso prima di azionare il motore TNE. Se questo viene tralasciato si possono verificare danni alle persone o all'apparecchio.

CONSIGLI PER LA SICUREZZA

ATTENZIONE:

1. PREVENZIONE DI INCENDI

Non aggiungete mai combustibile nel serbatoio mentre il motore è in funzione. Ripulite qualsiasi fuoriuscita di combustibile con un panno pulito. Tenete la benzina, il kerosene, fiammiferi ed altri esplosivi o infiammabili a distanza dal motore perchè la temperatura attorno alla marmitta di scarico è molto elevata durante il funzionamento.

- Per evitare il pericolo di incendio e fornire una ventilazione adeguata, tenete il motore ad almeno 3 ft (1 m) lontano dall'edificio o da altri macchinari durante il funzionamento.

2. PREVENZIONE DELL'INSPIRAZIONE DI GAS DI SCARICO

- Il gas di scarico contiene ossido di carbonio velenoso.
- Non usate mai il motore in luoghi poco ventilati quali ambienti chiusi o gallerie. Se è inevitabile avviare il motore in ambienti chiusi, provvedete per un'adeguata ventilazione.

3. PREVENZIONE DI BRUCIATURE

- Non toccate mai la marmitta, il coperchio della marmitta o il corpo del motore mentre questo è in funzione o è ancora caldo.

4. ALTRI CONSIGLI DI SICUREZZA

- Imparate come bloccare il motore rapidamente e studiate attentamente il funzionamento di tutti i comandi. Non permettete ad alcuno di usare il motore senza adeguate istruzioni.
- Indossate un abbigliamento adeguato quando fate funzionare il motore.
- Non azionate il motore in stato di ebbrezza.
- Tenete i bambini e gli animali domestici lontano dal motore mentre questo è in funzione.
- Tenetevi a distanza dalle parti rotanti mentre il motore è in funzione.
- Quando il motore è collegato con una macchina, assicuratevi che vi siano coperture idonee per la cinghia, il collegamento ed altre parti pericolose.
- Lavorate secondo le disposizione dell'area di lavoro. Quando lavorate con altri, assicuratevi di mantenere una buona comunicazione con tutti gli altri.
- Usate strumenti ed attrezzatura adeguati.

5. QUANDO CARICATE LA BATTERIA

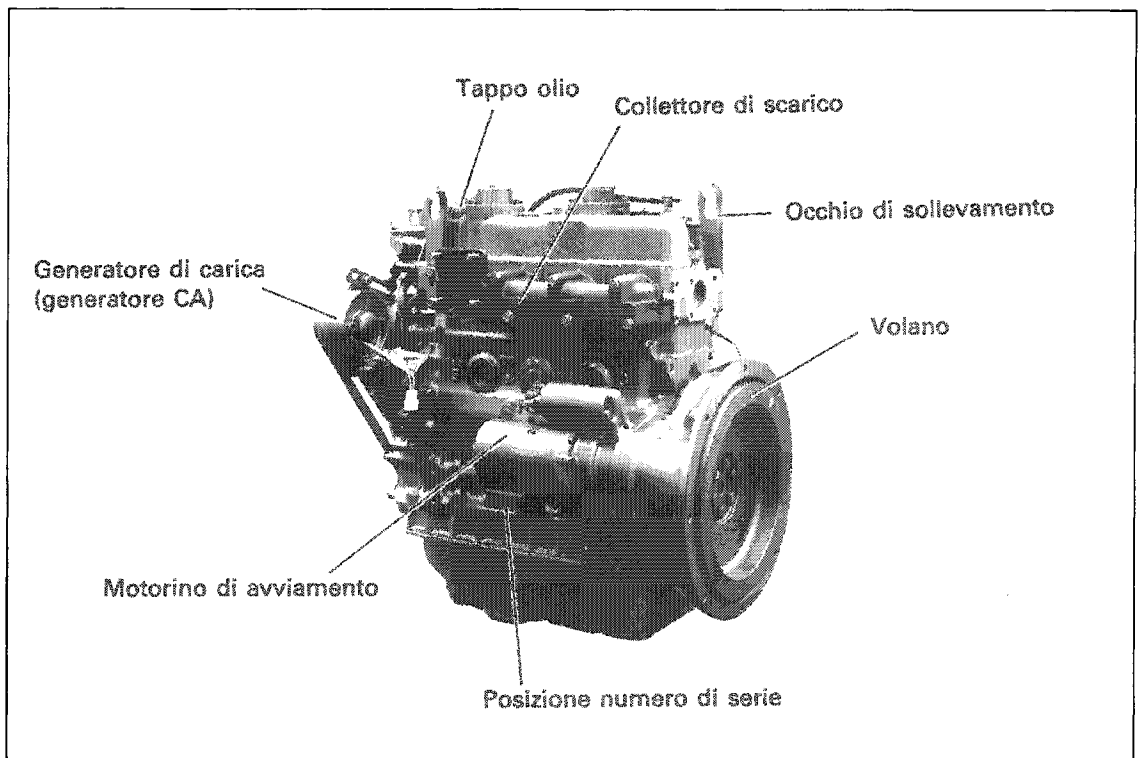
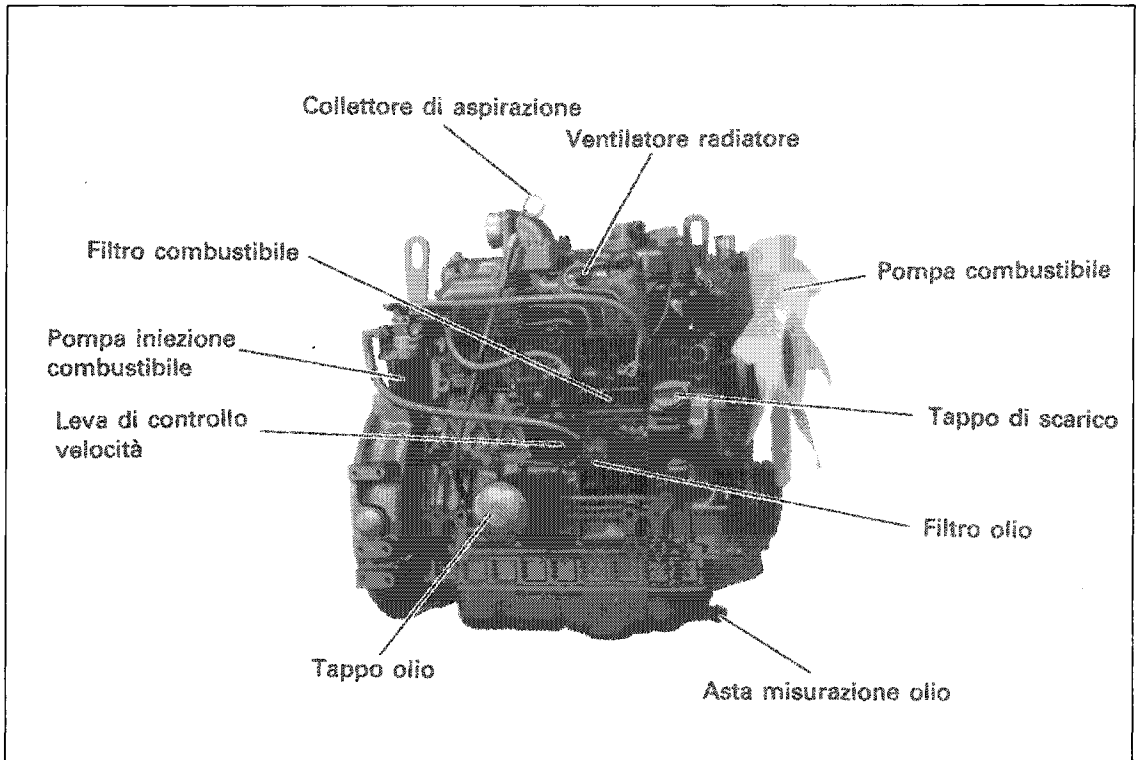
- L'elettrolito della batteria contiene acido solforico. Proteggete i vostri occhi, la vostra pelle ed i vostri abiti. In caso di contatto, lavate abbondantemente con acqua e rivolgetevi immediatamente ad un medico, specialmente se si tratta degli occhi.
- Le batterie generano gas di idrogeno che possono essere altamente esplosivi. Non fumate o tenete fiamme o scintille vicino alla batteria, specialmente durante il caricamento.
- Caricate la batteria in un luogo ben ventilato.

INDICE

1. Denominazione delle parti	1
2. Caratteristiche tecniche	2
3. Norme basilari da osservare per l'uso del motore	3
4. Combustibile, olio lubrificante e acqua di raffreddamento	5
5. Rodaggio	8
6. Uso del motore	10
7. Controlli periodici e manutenzione	14
8. Lunghi periodi di magazzinaggio	20
9. Individuazione dei guasti	21

1. Denominazione delle parti

1. Denominazione della parti (SERIE TNE)



2. Caratteristiche tecniche

2. Caratteristiche tecniche

Modello	Unità de misura	2TNE68		3TNE68		3TNE74		3TNE78A		3TNE82A		3TNE84		3TNE88		4TNE84		4TNE88		3TNE84T		4TNE84T		
		Uso industr.	Uso industr.	Uso generatore	Uso industr.	Uso generatore	Uso industr.	Uso generatore	Uso industr.	Uso generatore	Uso industr.	Uso generatore	Uso industr.	Uso generatore	Uso industr.	Uso generatore	Uso industr.	Uso generatore	Uso industr.	Uso generatore	Uso industr.	Uso generatore	Uso industr.	Uso generatore
Tipo		Motore diesel 4 tempi, raffreddamento ad acqua																						
N dei cilindri		2		3		3		3		3		3		3		4		4		3		4		
Alesaggio	mm (in)	68 (2.68)		68 (2.68)		74 (2.91)		78 (3.07)		82 (3.23)		84 (3.31)		88 (3.46)		84 (3.31)		88 (3.46)		84 (3.31)		84 (3.31)		
Corsa	mm (in)	72 (2.83)		72 (2.83)		78 (3.07)		84 (3.31)		84 (3.31)		90 (3.54)		90 (3.54)		90 (3.54)		90 (3.54)		90 (3.54)		90 (3.54)		
Cilindrata	ℓ (Cu. in)	0.523 (31.93)		0.784 (47.84)		1.006 (61.59)		1.204 (73.47)		1.331 (81.22)		1.496 (91.29)		1.642 (100.2)		1.995 (121.7)		2.190 (133.6)		1.496 (91.29)		1.995 (121.7)		
Giri	rpm	2000~3600		2000~3600	3000/3600	2000~3600	3000/3600	2000~3600	3000/3600	2000~3000	1500/1800	2000~3600	3000/1500/1800	2000~3000	1500/1800	2000~3600	3000/1500/1800	2000~3000	1500/1800	2000~3600	3000/1500/1800	2000~3600	3000/1500/1800	
Aspirazione		Aspirazione naturale																			Sovralimentato con turbocompressore a gas di scarico			
Sistema di combust.		I D I								D I														
Senso rotazione		Antiorario (visto dal volano)																						
Sistema di raffredd.		Radiatore																						
Sistema di lubrific.		Lubrificazione forzata con pompa trocoide																						
Sistema di avviamento		Elettrico																						
*1 Peso a secco (con piastra posteriore/ senza carcassa)	kg	59/65		70/81		85/105		112/128		112/128		138/155		138/155		160/170		160/170		142/160		165/175		
*2 Dimensioni	Lunghezza	mm (in)	400 (15.75)		463.5 (18.25)		469.1 (18.47)		520.5 (20.49)		520.5 (20.49)		556 (21.89)		556 (21.89)		632 (24.88)		632 (24.88)		632 (24.88)		641 (25.23)	
	Largezza	mm (in)	401 (15.79)		401 (15.79)		440 (17.32)		489 (19.25)		489 (19.25)		486 (19.13)		486 (19.13)		498.5 (19.63)		498.5 (19.63)		540 (21.26)		498.5 (19.63)	
	Altezza	mm (in)	495 (19.49)		496 (19.53)		502 (19.76)		564 (20.20)		564 (22.20)		622 (24.49)		622 (24.49)		617 (24.29)		617 (24.29)		629 (24.76)		713 (28.07)	
*3 Capacità olio lub. Effetto Max.	ℓ	1.6/0.6		2.4 / 1.0		2.4 / 1.0		3.6 / 1.3		3.6 / 1.3		4.7 / 1.8		4.7 / 1.8		5.8 / 2.3		5.8 / 2.3		4.7 / 1.8		5.8 / 2.3		
Capacità acqua di raffredd. (rad escl.)	ℓ	0.6		0.9		0.9		1.8		1.8		2.0		2.0		2.7		2.7		2.0		2.7		
Capacità alternatore (unificata)	A/V	15/12		15/12		15/12		15/12		15/12		15/12		15/12		15/12		15/12		15/12		15/12		

*1: Il peso del motore è conforme con gli standard YANMAR previsti per i motori a specifica VM.

*2: Le dimensioni del motore sono conformi con gli standard YANMAR previsti per i motori a specifica VM con piastra di supporto (VENTOLA-Volano).

*3: La capacità di olio lubrificante è conforme con gli standard YANMAR previsti per i motori a specifica VM con coppa dell'olio standard. Si raccomanda di rilevare il segno sull'asta indicatrice del livello dell'olio (far riferimento a pagina 5 di questo manuale) e attenersi alle istruzioni del manuale fornito dal costruttore in dotazione alla macchina.

3. Norme basilari da osservare per l'uso del motore

3. Norme basilari da osservare per l'uso del motore

Osservate attentamente le seguenti regole per prolungare la vita del motore.

	Norme da osservare	Dettagli ed inconvenienti che potrebbero verificarsi in caso di manca osservanza delle istruzioni
1	Effettuate il rodaggio quando il motore è ancora nuovo.	L'applicazione di grossi carichi può ridurre la durata del motore se questo è ancora nuovo.
2	Riscaldare il motore.	Fate funzionare il motore a vuoto per circa 5 minuti dopo l'accensione per permettere all'olio lubrificante di raggiungere tutte le parti del motore. Se il motore non viene riscaldato, si può avere un'eccessiva usura delle parti in movimento.
3	Usate combustibile con un numero di cetano superiore a 45.	Un combustibile di qualità inferiore può causare inconvenienti all'accensione con emissione di fumo di scarico bluastro.
4	Scaricate il serbatoio del combustibile.	Prima di azionare il motore, aprite la valvola di scarico del serbatoio ed eliminate il precipitato dal combustibile.
5	Usate olio lubrificante di buona qualità.	Olio lubrificante di qualità scadente può causare il grippaggio della camicia del pistone, una eccessiva usura delle parti in movimento ed altri inconvenienti. Anche la durata del motore viene ridotta.
6	Sostituite regolarmente l'olio lubrificante e l'elemento del filtro dell'olio.	Sostituzione olio lubrificante: 1° volta dopo 50 ore 2° volta e successive ogni 200 ore Sostituzione elemento: 1° volta dopo 50 ore 2° volta e successive ogni 400 ore ⚠ PRECAUZIONE: <ul style="list-style-type: none">• L'uso di olio lubrificante vecchio causa una più rapida usura delle parti del motore e causa inconvenienti.• La pressione dell'olio diminuisce se l'elemento è vecchio o intasato di polvere. Essa causa il grippaggio del cuscinetto di banco, anche un po' di polvere nel cuscinetto ne rende più rapida l'usura.
7	Usate acqua pulita di rubinetto per il raffreddamento.	L'acqua dura dei pozzi causa depositi di calcare nell'impianto di raffreddamento ad acqua. Essi riducono l'efficienza del raffreddamento e quindi un aumento eccessivo della temperatura dell'acqua di raffreddamento causando il grippaggio del pistone.

3. Norme basilari da osservare per l'uso del motore

8	Aggiungete un anticorrosivo all'acqua di raffreddamento.	La presenza di ruggine nell'impianto di raffreddamento ad acqua non solo accelera il processo di corrosione dell'impianto stesso, ma riduce la durata del motore a causa della minore efficienza di raffreddamento.
9	Usate un prodotto anticongelante nelle zone fredde.	L'anticongelante impedisce all'acqua di raffreddamento di gelare ed incrinare il motore. Se l'acqua di raffreddamento gela, può incrinare il monoblocco, il radiatore o la pompa dell'acqua di raffreddamento. Se non usate un prodotto anticongelante, fate uscire tutta l'acqua di raffreddamento.
10	Sostituite l'acqua di raffreddamento ogni anno.	L'acqua di raffreddamento ha una ridotta capacità di raffreddamento se non è perfettamente pulita e la sua temperatura può diventare troppo elevata. Questo causa il grippaggio del motore.
11	Prima di mettere in funzione il motore, controllate sempre il livello dell'acqua di raffreddamento nel serbatoio ausiliario (solo per i motori con serbatoio ausiliario). Inoltre, controllate il livello dell'acqua di raffreddamento nel radiatore almeno una volta alla settimana.	Se l'acqua di raffreddamento è scarsa, la sua temperatura diventa troppo elevata, causando il grippaggio del motore.
12	Controllate e regolate la tensione della cinghia di trasmissione del generatore di carica/ventilatore.	Una tensione della cinghia non corretta non trasmette adeguatamente l'energia o causa surriscaldamento. La cinghia stessa viene danneggiata.
13	Non fate funzionare il motorino di avviamento ininterrottamente per più di 15 sec.	L'uso continuato del motorino di avviamento per oltre 15 sec. causa danni al motore.
14	Si prega di osservare scrupolosamente le etichette di avvertimento applicate dal fabbricante della macchina.	

4. Combustibile, olio lubrificante e acqua di raffreddamento

4. Combustibile, olio lubrificante e acqua di raffreddamento

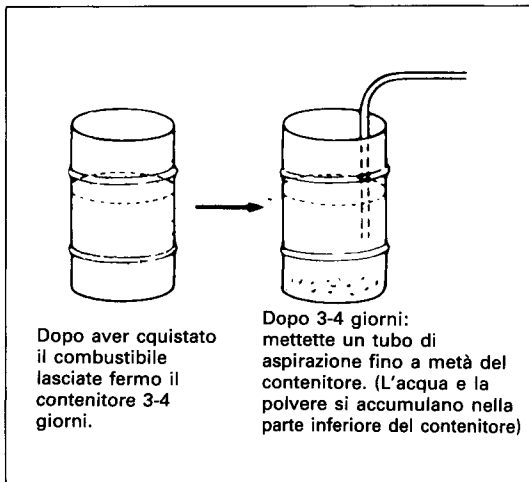
4-1. Scelta ed uso del combustibile

(1) Scelta del combustibile

Usate il combustibile diesel più adatto per il motore. (Usate combustibile diesel con un numero di cetano superiore a 45).

(2) Uso del combustibile

- 1) Acqua e polvere nel combustibile causano danni al motore.
- 2) Lasciate riposare il combustibile nel contenitore per alcuni giorni per far precipitare l'acqua e la polvere sul fondo. Usate il combustibile in alto.



4-2. Scelta e ricambio dell'olio lubrificante

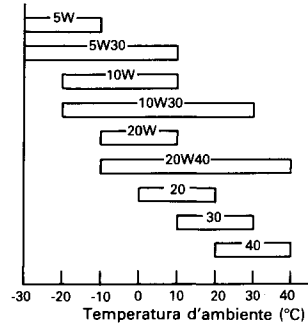
(1) Selection

Niente influisce sul rendimento e la durata del vostro motore più dell'olio lubrificante usato. Se si usa olio di qualità scadente o se l'olio non viene sostituito regolarmente, vi è il rischio di grippaggio dei pistoni, aderenza della fascia elastica e rapida usura della camicia del cilindro, del cuscinetto e di altre parti in movimento. La durata del vostro motore può essere notevolmente ridotta. Usate olio classe CC o CD (Classificazione API).

OLIO MOTORE

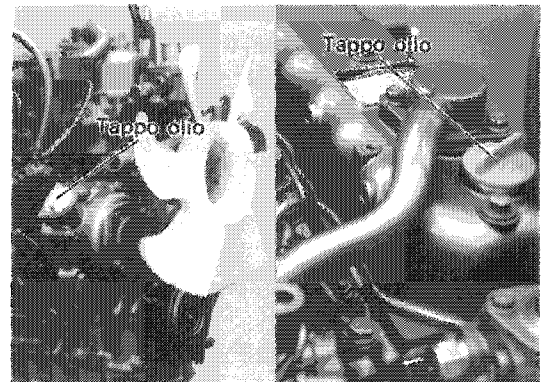
YANMAR raccomanda l'uso di olio di classe CC o CD, secondo la classificazione A.P.I. riguardante la manutenzione del motore. Usate sempre olio con viscosità appropriata alla temperatura dell'ambiente in cui il motore dovrà operare.

Per la scelta dell'olio motore, usate il diagramma riportato di seguito.



(2) Immissione di olio lubrificante nel carter

Togliete il coperchio il tappo dell'olio (giallo) per immettere olio lubrificante nel carter.



Inserite l'asta di livello dell'olio nel bocchettone e controllate se l'olio raggiunge il limite superiore dell'asta.



4. Combustibile, olio lubrificante e acqua di raffreddamento

PRECAUZIONE:

- Occorre un po' di tempo prima che l'olio lubrificante immesso nel bocchettone di riempimento riempi il carter del motore. Attendete circa 3 minuti, quindi controllate il livello dell'olio.
- Assicuratevi che il motore sia posizionato su un piano orizzontale quando controllate l'olio. Se il motore è inclinato, non è possibile verificare correttamente il livello dell'olio.
- La quantità di olio lubrificante nel carter cala durante il rodaggio di un motore nuovo perchè l'olio si distribuisce sul dispositivo di raffreddamento e le condutture dell'olio lubrificante. Fermate il motore ed attendete circa 3 minuti prima di ricontrollare il livello dell'olio.
- Nel riempire il carter con olio lubrificante non superare mai il livello indicato dalla tacca del limite superiore sull'asta di misurazione.

4-3. Acqua di raffreddamento

(1) Trattamento dell'acqua di raffreddamento

- 1) Usate acqua pulita di rubinetto (con agente antiruggine).

PRECAUZIONE:

L'acqua dura dei pozzi o l'acqua di mare causa la formazione di ruggine nell'impianto dell'acqua di raffreddamento. Questo diminuisce la capacità di raffreddamento e può causare surriscaldamento.

- 2) Usate un prodotto anticongelante
Usate un anticongelante se si prevede che la temperatura scenda sotto il punto di congelamento. L'uso di un anticongelante rende superfluo lo svuotamento dell'impianto dell'acqua di raffreddamento.
Per sicurezza, scegliete una temperatura più bassa di 5°C rispetto alla temperatura minima della vostra

zona e decidete il rapporto di miscela seguendo le istruzioni fornite dal produttore dell'anticongelante.

PRECAUZIONE:

- Per usare l'anticongelante, prima di tutto scaricate completamente l'acqua dal radiatore e dal motore, introducete la miscela anticongelante fino a raggiungere il bocchettone dell'acqua di raffreddamento. Fate girare il motore per circa 30 minuti in modo da miscelare completamente l'anticongelante con l'acqua dopodiché immagazzinate il motore.
- Per quanto riguarda le istruzioni per l'estrazione dell'acqua vedere pagina 15.
- L'anticongelante di solito è efficace per un anno. Seguite le istruzioni fornite dal produttore dell'anticongelante.

- 3) Se non usate anticongelante in inverno, fate uscire l'acqua di raffreddamento dal radiatore e dal cilindro dopo l'uso.

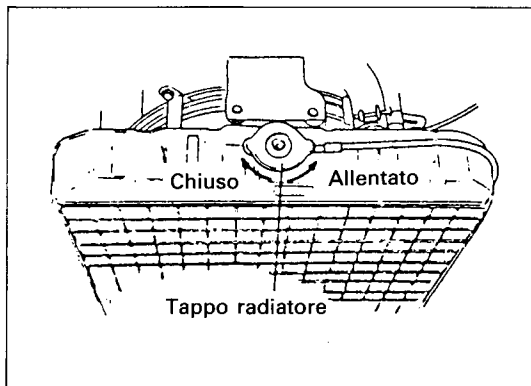
PRECAUZIONE:

Se l'acqua di raffreddamento viene lasciata nel motore, questa potrebbe gelare causando incrinature nel radiatore, nella pompa dell'acqua di raffreddamento e nel cilindro.

(2) Immissione e controllo dell'acqua di raffreddamento

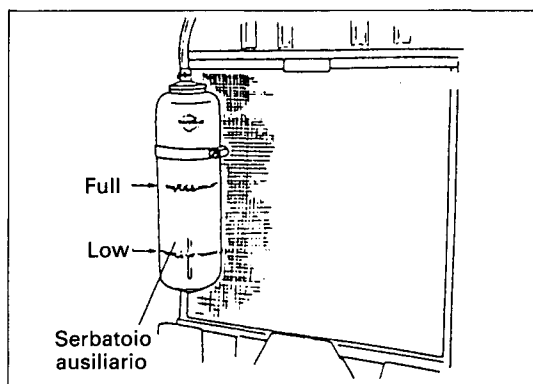
- 1) Immissione dell'acqua nel radiatore
Togliete il tappo del radiatore e immettete acqua di raffreddamento. Per togliere il tappo, giratelo di circa 120 gradi in senso antiorario. Prima di fare il rodaggio del motore, immettete acqua pulita di rubinetto nel bocchettone di riempimento. Per chiudere il tappo, inserite il lobo posteriore del tappo stesso nell'incavo del bocchettone di riempimento e premete il tappo ruotandolo di circa 120° in senso orario.

4. Combustibile, olio lubrificante e acqua di raffreddamento



2) Controllo e nuovo riempimento con acqua di raffreddamento (motori con serbatoio ausiliario)

Controllate il livello dell'acqua di raffreddamento rispetto alle marcature "Full" (pieno) e "Low" (basso) presenti sul serbatoio ausiliario. Togliete il tappo e rabboccate fino alla marcatura "Full".



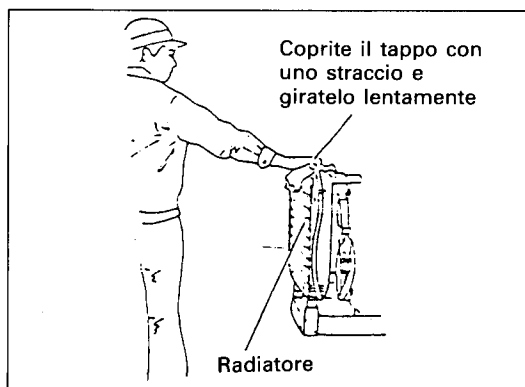
(3) Scarico dell'acqua di raffreddamento

⚠ ATTENZIONE:

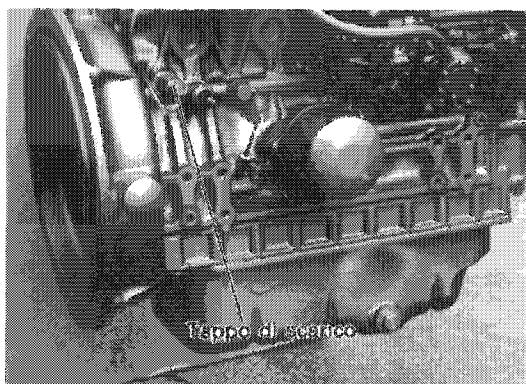
L'acqua di raffreddamento congela a bassa temperatura. Se l'acqua di raffreddamento non contiene anticongelante, non mancate di scaricarla dopo l'arresto del motore. Inoltre, scaricate completamente l'acqua di raffreddamento quando pensate di non utilizzare il motore per un prolungato

periodo di tempo. Differentemente, l'acqua nel cilindro potrebbe congelare e incrinare il cilindro.

- Prima di scaricare l'acqua di raffreddamento, togliete il coperchio di pressione ed il tappo del radiatore. Se il coperchio non viene tolto, lo scarico risulta difficoltoso ed eventualmente incompleto.
- Il motore non deve essere caldo. Fate attenzione ad evitare scottature quando togliete il coperchio di pressione. Tenete la faccia a distanza dal coperchio, copritelo con uno straccio ed estendetelo il braccio girando il coperchio lentamente per ridurre la pressione dentro al radiatore.



- 1) Allentate il tappo di scarico sul lato del corpo del cilindro e fate fuoriuscire l'acqua che si trova all'interno del cilindro.



5. Rodaggio

5. Rodaggio

Fate funzionare il vostro motore nuovo in base al procedimento seguente.

5-1. Combustibile

Immettete combustibile nell'apposito serbatoio.

PRECAUZIONE:

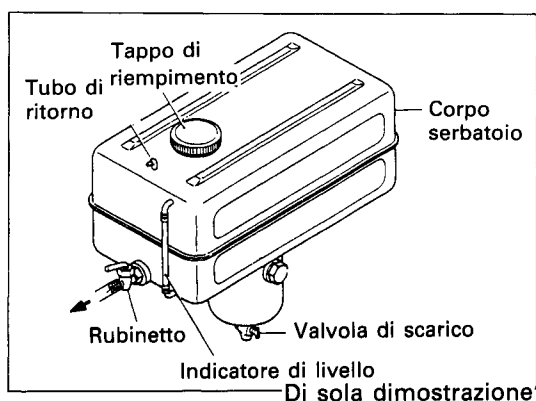
Per evitare la fuoriuscita di combustibile, riempite il serbatoio solo all'80 – 90% della sua capacità.

Per il successivo azionamento del motore osservate le regole seguenti:

(1) Svuotamento del serbatoio del combustibile

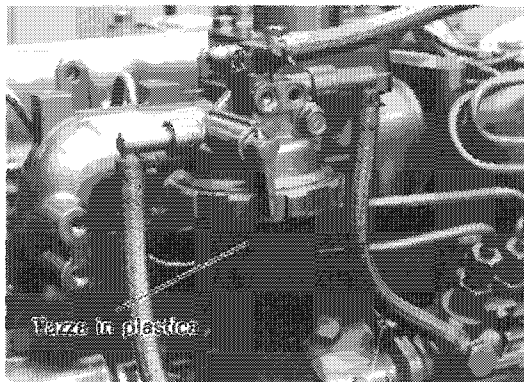
Anche se usate solo il combustibile che si trova nella parte alta del contenitore, ci possono essere polvere o impurità. Queste devono essere eliminate prima che entrino nelle parti interne del motore.

Assicuratevi che siano stati installati il separatore e la valvola di scarico sul fondo del serbatoio del combustibile. Prima di mettere in funzione il motore, aprite la valvola e togliete il materiale sedimentato dal combustibile.



(2) Drenaggio del filtro del combustibile

Prima dell'uso, controllate se vi sono acqua o polvere nella tazza di plastica del filtro del combustibile. Se vi sono notevoli depositi di polvere, smontate e pulite il filtro. (Seguite questa istruzione nei modelli di motori con separatore acqua).



(3) Non immettete combustibile mentre il motore è in funzione.

ATTENZIONE:

Per evitare il pericolo di incendi, assicuratevi che il motore sia fermo prima di immettere nuovo combustibile.

5-2. Spurgo del sistema del combustibile

Spurgare il sistema del combustibile applicando la seguente procedura. La pompa d'iniezione non può funzionare se vi è aria nel sistema del combustibile.

- (1) Controllare la quantità di combustibile all'interno del serbatoio. Rabboccare se insufficiente.
- (2) Aprire i rubinetti del separatore oliolacqua **OPZIONE** e del filtro del combustibile.

5. Rodaggio

- (3) Allentare la vite di spurgo montata sulla parte superiore del separatore olio/acqua ruotandola 2 - 3 volte con un cacciavite.
- (4) Lasciar fuoriuscire il combustibile dal foro di scarico fino a quando si presenta chiaro e privo di bolle d'aria, quindi serrare la vite di spurgo.
- (5) Alimentare il carburante per mezzo della pompa d'alimentazione.

Pompa elettromagnetica per l'alimentazione del combustibile

La pompa d'alimentazione del combustibile inizia a funzionare e lo spurgo dell'aria del sistema avviene automaticamente quando si ruota la chiave del commutatore d'avviamento su ON.

Pompa meccanica per l'alimentazione del combustibile

Spostare verso l'alto e verso il basso la leva sul lato della pompa d'alimentazione del combustibile per attivare l'alimentazione. Continuare il movimento fino a quando il livello del combustibile all'interno del filtro per il combustibile aumenta e provoca lo spurgo del sistema.

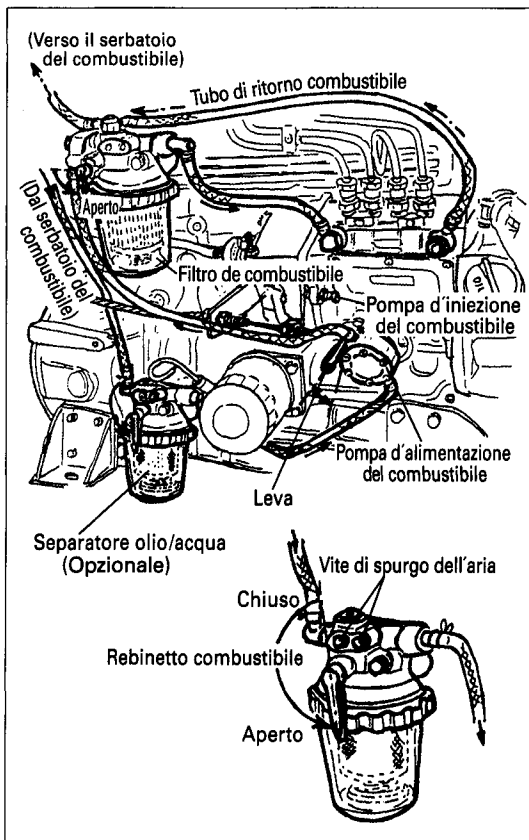
5-3. Lubrificazione delle parti del motore

- (1) Lubrificare la leva di controllo della velocità.

5-4. Diffusione dell'olio lubrificante

Quando usate il motore dopo un periodo di inattività (per più di un mese), è necessario far circolare l'olio lubrificante come segue prima di iniziare il regolare uso del motore.

- (1) Scollegate la macchina (Disinserite la frizione)
- (2) Mettete la leva di controllo della velocità nella posizione di "STOP".
- (3) Mettete la chiave di avviamento nella posizione di "START" (accensione) e fate funzionare il motore per circa 15 secondi.
- (4) Attendete 15 - 20 secondi, quindi azionate nuovamente il motore per altri 15 secondi (ripetete questa procedura 2 o 3 volte).



5. Rodaggio

6. Uso del motore

5-5. Controllo delle lampade spia

Controllate che le lampade spia sul quadro degli strumenti siano come indicato di seguito quando la chiave di accensione viene messa in posizione di avviamento e il motore non sta girando.

Lampade spia	Spia bassa pressione dell'olio di lubrificazione	Accesa
	Spia di carica	Accesa
	Spia temperatura acqua di raffreddamento	Spenta

(Quando il quadro Yanmar è installato)

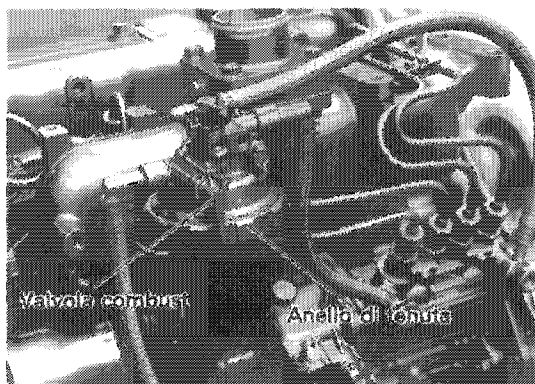
6. Uso del motore

Mantenere in ordine l'area attorno al motore. Rimuovere eventuali utensili e altri ostacoli che si trovino in prossimità del volano, delle parti rotanti e della parte superiore del motore.

Prima di far funzionare il motore, controllare che non ci siano ostacoli attorno al motore e in particolare attorno alle parti in rotazione.

6-1. Avviamento

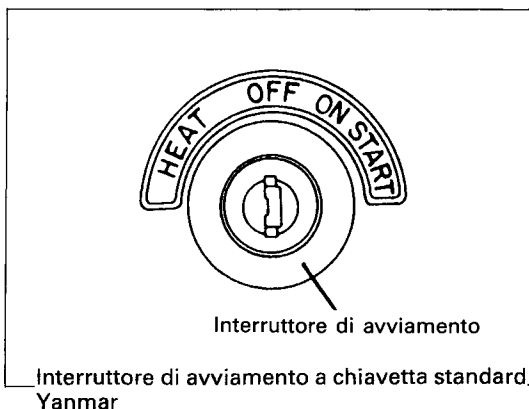
- (1) Scollegate la macchina.
- (2) Girate la valvola del combustibile in posizione di aperto "OPEN".



(3) Per i modelli con separatore acqua, girate il rubinetto e la valvola del combustibile in posizione di aperto "OPEN".

(4) Girate la leva di controllo della velocità in posizione di "START/Run" (avviamento/funzionamento)

(5) Girate la chiave di avviamento verso la posizione "START" (avviamento). Il motore dovrebbe mettersi in funzione.



Quando il motore è partito, rilasciate la chiave. Questa ritorna automaticamente in posizione "ON" (acceso). (Non spegnete l'interruttore della batteria neppure dopo che il motore si è messo in funzione). In posizione "ON", gli indicatori sul quadro degli strumenti iniziano a funzionare.

⚠ PRECAUZIONE:

Protezione della batteria

Non fate girare il motorino di avviamento per più di 15 secondi ininterrottamente. Se il motore non parte, attendete circa 30 secondi prima di azionarlo di nuovo.

Nuovo avviamento del motore

Controllate che il volano si sia fermato prima di girare l'interruttore di avviamento in posizione "START" (avviamento).

6. Uso del motore

- Il motorino di avviamento o l'ingranaggio del volano potrebbero venire danneggiati se l'interruttore di avviamento viene azionato mentre il volano è ancora in movimento.
- I motori provvisti di un relè di sicurezza nel circuito non possono essere avviati nuovamente se l'interruttore di avviamento non è stato spento dopo che il motorino di avviamento è stato azionato.

Avviamento alle basse temperature

- Girate la chiave di avviamento in senso antiorario in posizione "HEAT" (riscaldamento) (o "GLOW") e tenetela in questa posizione per circa 15 secondi (circa 8 secondi per i motori con dispositivo di riscaldamento rapido).
- Quindi riportate la chiave di avviamento in posizione "START" per avviare il motore.

6-2. Precauzioni dopo l'avviamento del motore

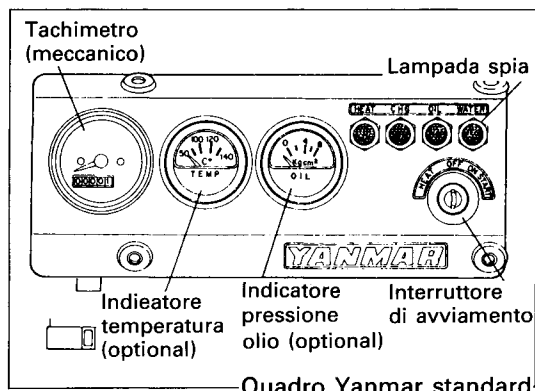
Quando il motore è stato avviato, osservate le seguenti istruzioni (tenete la macchina scollegata).

- (1) Riscaldare il motore per oltre 5 minuti.

PRECAUZIONE:

- L'olio lubrificante non si diffonde fino al cuscinetto di banco e le altre parti rotanti per qualche tempo dopo l'avviamento. Per proteggere queste parti dall'usura, occorre fare funzionare il motore a vuoto per circa 5 minuti a bassa velocità.
- Per il rodaggio, fate funzionare il motore a vuoto a bassa velocità per 15 - 20 minuti.

- (2) Aumentate la velocità del motore oltre 800 giri/min. e controllate che la spia per la pressione bassa dell'olio e la spia di carica si spengano.



ATTENZIONE:

Se le spie luminose ancora non si spengono quando la velocità del motore viene aumentata oltre i 1000 giri/min., il motore non funziona correttamente. Fermatelo immediatamente e contattate il più vicino concessionario Yanmar.

6-3. Precauzioni durante il funzionamento del motore

Durante il funzionamento del motore, controllate i seguenti punti una o due volte al giorno.

(1) Colore del fumo di scarico

Un fumo di scarico nero indica che il motore è sottoposto ad un carico eccessivo. Un funzionamento prolungato riduce la durata del motore. Fermate il motore se il fumo emesso è nero.

(2) Perdita di acqua e olio

Controllate che non ci siano perdite di acqua, olio o gas di combustione, bulloni allentati e rumori anomali, surriscaldamento e vibrazioni eccessive. Se riscontrate delle anomalie, fermate il motore e contattate il concessionario Yanmar più vicino.

(3) Evitate il funzionamento nella gamma di risonanza.

6. Uso del motore

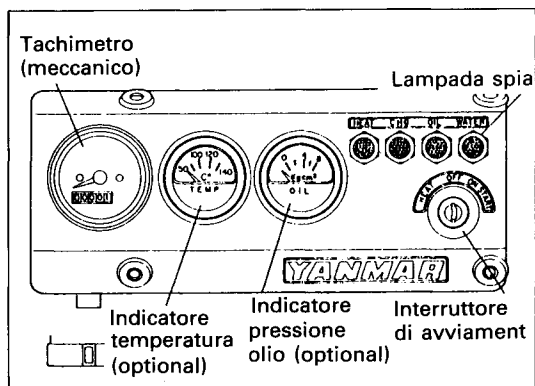
⚠ ATTENZIONE:

A seconda della macchina azionata, le vibrazioni del motore risultano eccessive in una certa gamma di velocità a causa della risonanza del motore con il banco del motore. Evitate il funzionamento in questa gamma.

(4) Lampade spia

- **Spia della pressione bassa dell'olio ("OIL")**

Se la spia per la pressione bassa dell'olio si accende o è accesa mentre il motore sta funzionando ad una velocità superiore del minimo, controllate se l'olio lubrificante è troppo basso. Se non è così, significa che c'è un'anomalia nel circuito dell'olio lubrificante. Il funzionamento prolungato causa il grippaggio del motore. Fermate il motore immediatamente e consultate il rivenditore Yanmar più vicino.



(Nota):

Per controllare il livello dell'olio lubrificante, fermate il motore ed attendete per oltre 3 minuti.

- **Spia di carica ("CHG")**

Se la spia di carica si accende o è accesa quando il motore sta girando a oltre 800 giri/min., c'è un difetto nel circuito di carica o nella cinghia della ventola (slitta o è danneggiata). Fermate il motore e controllate. Se la cinghia della ventola è in ordine, contattate il più vicino concessionario Yanmar.

- **Spia della temperatura dell'acqua di raffreddamento ("WATER")**

Se la spia della temperatura dell'acqua di raffreddamento è accesa durante il funzionamento sotto carico del motore, il motore è surriscaldato. Fermate il motore immediatamente e controllate la tensione della cinghia della ventola e il livello dell'acqua di raffreddamento. Se entrambi sono in regola, contattate il più vicino concessionario Yanmar.

⚠ ATTENZIONE:

- **Non controllate il livello dell'acqua di raffreddamento quando il radiatore è ancora caldo. Il vapore o l'acqua calda potrebbero fuoriuscire se il coperchio del radiatore viene tolto subito dopo l'arresto del motore.**
- **Quando togliete il coperchio del radiatore, tenete la faccia ben a distanza e coprite il coperchio con uno straccio. Girate il coperchio lentamente per fare uscire gradualmente la pressione che vi è all'interno del radiatore.**

(5) Rumore anomalo

Se si sentono rumori anomali durante il funzionamento del motore, fermate subito il motore a localizzate la causa. Se non è possibile localizzarla, contattate il più vicino concessionario Yanmar.

6. Uso del motore

6-4. Arresto del motore

(1) Mettete il motore al minimo prima di fermarlo

- 1) Per fermare il motore, scollegate la macchina e fate funzionare il motore a bassa velocità per circa 5 minuti.
- 2) Riportate la leva di controllo della velocità nella posizione di uso continuo "Continuous use". Per scaricare il carbonio dolce dal cilindro dovete aumentare di nuovo la velocità del motore.
- 3) Diminuite la velocità del motore al minimo e chiudete il combustibile per fermare il motore.

PRECAUZIONE:

Se si arresta il motore immediatamente dopo aver tolto il carico, la temperatura delle parti del motore aumenta improvvisamente e potrebbe causare inconvenienti al motore stesso.

Far girare sempre il motore per circa 5 minuti a velocità minima senza carico.

(2) Dopo l'arresto del motore

Dopo aver fermato il motore, chiudete la valvola del combustibile e quella del separatore acqua.

(3) Rimuovete la polvere e pulite il motore.

(4) Spegnete l'interruttore della batteria (se il vostro motore ne è provvisto).

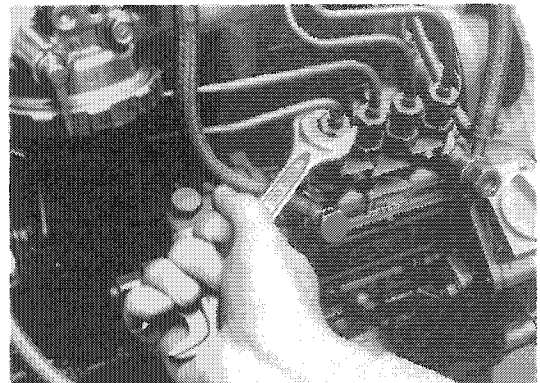
(5) Estraiete la chiave di avviamento.

ATTENZIONE:

Arresto di emergenza

Se non riuscite ad arrestare il motore con la leva di arresto (o la leva per il controllo della velocità), oppure non riuscite ad abbassare la velocità del motore tramite la leva di controllo della velocità, fermate il motore come segue:

- (a) Chiudete l'alimentazione dell'aria
- (b) Chiudete il rubinetto del combustibile
- (c) Allentate tutti i dadi sul lato della pompa di iniezione del combustibile o sul lato degli ugelli di iniezione del combustibile. In questo modo l'alimentazione del combustibile viene interrotta e il motore si ferma.



In questi casi, contattate il concessionario Yanmar più vicino per individuare la causa dell'inconveniente e far riparare il motore.

7. Controlli periodici e manutenzione

7. Controlli periodici e manutenzione

I controlli periodici e la manutenzione sono molto importanti per mantenere il motore

in buone condizioni e farlo durare a lungo. La tavola seguente indica quali controlli debbono essere fatti e con quale frequenza.

○: Controllo ⊙: Sostituzione ●: Consultare il locale concessionario

Voce	Contenuto	Periodicamente					
		Giornalmente	Ogni 50 ore	Ogni 200 ore	Ogni 400 ore	Ogni 1000 ore	Ogni 2000 ore
Olio combustibile	Controllo e rifornimento di carburante nel serbatoio	○					
	Scaricare il serbatoio del carburante		○				
	Pulire il separatore di olio/acqua		○				
	Sostituire l'elemento filtro carburante				⊙		
Olio lubrificante	Controllare la quantità di olio lubrificante.	○					
	Sostituire l'olio lubrificante.		⊙ 1ª volta	⊙ 2ª volta e successive			
	Sostituire l'elemento filtro olio.		⊙ 1ª volta	⊙ 2ª volta e successive			
Acqua di raffreddamento	Controllare e aggiungere acqua di raffreddamento.	○					
	Pulire le alette del radiatore.			○			
	Controllare la tensione della cinghia a V.		○ 1ª volta	○ 2ª volta e successive			
	Sostituire l'acqua di raffreddamento.						
	Controllare e pulire il passaggio dell'acqua di raffreddamento.					⊙	
Tubo flessibile di gomma	Controllare e sostituire tubo del gasolio, tubo acqua di raffreddamento.						●
Sistema funzionamento	Controllare e sostituire leva regolatore di giri, acceleratore.	○		○			●
Sistema aspirazione	Pulire il filtro dell'aria e sostituire l'elemento.			○	⊙		
	Controllare il turbocompressore, regolare.					●	
Equipaggiamento elettrico	Controllare dispositivi e spie di allarme.	○					
	Controllare e rifornire elettrolito in batteria.		○				
Testata	Regolare gioco valvole di aspirazione e scarico.					●	
	Lappare la valvole di aspirazione e scarico.						●
Pompa carburante e valvola d'iniezione	Controllare ugello valvola carburante, pulire.					●	
	Controllare e regolare pressione d'iniezione e condizione di polverizzazione.					●	
	Controllare pompa carburante, regolare.						●

7. Controlli periodici e manutenzione

7-1. Controllo e regolazione dell'impianto di alimentazione

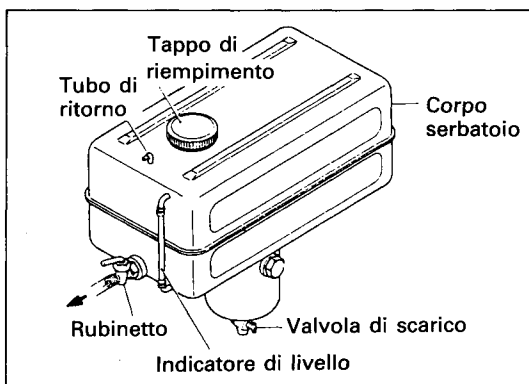
(1) Controllo del livello di combustibile e nuova immissione

Immettete combustibile pulito nell'apposito serbatoio.

Intervallo	Quotidianamente
------------	-----------------

(2) Scarico del serbatoio del combustibile

Aprite il rubinetto di scarico sul fondo del serbatoio e fate uscire il sedimento.



Intervallo	Una volta al mese
------------	-------------------

(3) Drenaggio del filtro del combustibile, pulizia e sostituzione dell'elemento

Drenaggio

Togliete il fondo della carcassa del filtro del combustibile ed estraete l'acqua e la polvere.

Intervallo	Ogni 200 ore
------------	--------------

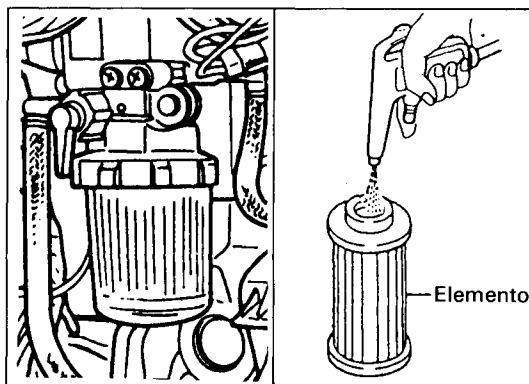
Pulizia e sostituzione dell'elemento

Togliete il fondo della carcassa del filtro del combustibile e pulite o sostituite l'elemento.

Intervallo	Qulite ogni 200 ore
	Sostituite ogni 400 ore

Per toglier l'elemento, togliete l'anello di tenuta del filtro del combustibile.

Pulite l'elemento con olio leggero e soffiare aria compressa (2 – 3 kg/cm²) attraverso l'elemento per rimuovere la polvere.



⚠ PRECAUZIONE:

Non usate benzina per pulire l'elemento.

Rimuovete anche la polvere e l'acqua depositate sul fondo del separatore nel filtro del combustibile.

(4) Separatore d'acqua (Sedimentatore)

Seguite la stessa procedura usata per il filtro del combustibile.

7-2. Impianto dell'olio lubrificante

(1) Controllo del livello dell'olio nel carter

Prima dell'azionamento del motore, estraete l'asta di misurazione dell'olio e controllate che il livello dell'olio si trovi tra i limiti superiore e inferiore. Se l'olio è scarso, rabboccatelo.

Intervallo del controllo	Ogni giorno (prima dell'uso)
--------------------------	------------------------------

7. Controlli periodici e manutenzione

(2) Sostituzione dell'olio lubrificante

E' molto utile scaricare l'olio lubrificante quando il motore è ancora caldo. Sostituite l'olio lubrificante come segue:

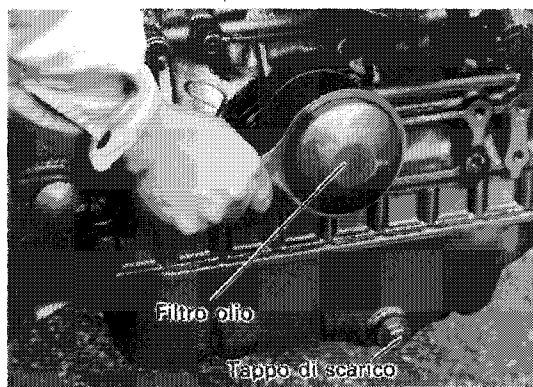
Intervallo della sostituzione	1° volta dopo 50 ore
	° volta e successive ogni 200 ore

PRECAUZIONE:

Sostituite l'olio lubrificante più frequentemente se il motore viene usato in presenza di notevole polvere.

(3) Sostituzione del filtro dell'olio combustibile

Togliete il filtro e sostituitelo.



Intervallo della sostituzione	1° volta dopo 50 ore
	° volta e successive ogni 400 ore

⚠ PRECAUZIONE:

Sostituite il filtro più frequentemente se il motore viene usato in condizioni di notevole polvere.

7-3. Impianto dell'acqua di raffreddamento

(1) Controllo del livello dell'acqua di raffreddamento

[Motori con serbatoio ausiliario]

I controlli quotidiani del livello dell'acqua di raffreddamento possono essere effettuati osservando il livello dell'acqua del serbatoio ausiliario. Se questo è basso, riempite fino al limite "FULL". Quindi inserite nuovamente il coperchio premendo.

Nota:

- Controllate il livello dell'acqua di raffreddamento quando il motore è freddo. L'acqua di raffreddamento del radiatore raggiunge il serbatoio ausiliario quando il motore è ancora caldo rendendo impossibile un controllo accurato.
- Controllate che non ci siano perdite dal radiatore e dai manicotti flessibili.

[Motori senza serbatoio ausiliario]

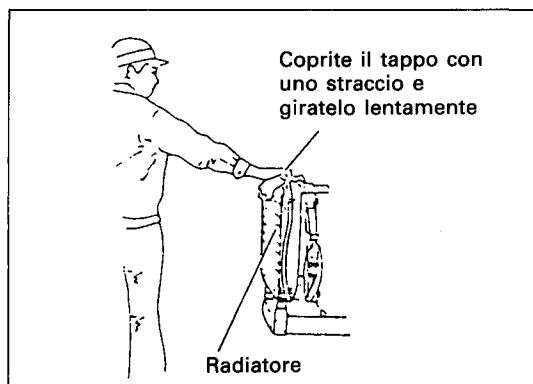
Togliete il coperchio del radiatore e controllate il livello dell'acqua.

⚠ ATTENZIONE:

- Non controllate il livello dell'acqua di raffreddamento quando il radiatore è ancora caldo. Il vapore o l'acqua calda potrebbero fuoriuscire se il coperchio del radiatore viene tolto subito dopo l'arresto del motore.

7. Controlli periodici e manutenzione

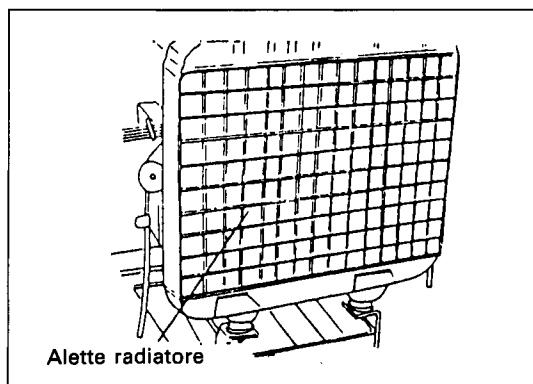
- Quando togliete il coperchio del radiatore, tenete la faccia ben a distanza e coprite il coperchio con uno straccio. Girate il coperchio lentamente per fare uscire gradualmente la pressione che vi è all'interno del radiatore.



Intervallo del controllo	Ogni giorno
--------------------------	-------------

(2) Controllo di eventuali ostruzioni nelle alette della massa radiante del radiatore e nello schermo del radiatore

Se le alette sono ostruite, soffiatevi sopra dell'aria compressa o lavatele con acqua per togliere la polvere. L'ostruzione delle alette del radiatore causa il surriscaldamento del motore.



(3) Sostituzione dell'acqua di raffreddamento

L'efficacia dell'anticorrosivo diminuisce se l'acqua di raffreddamento non è pulita.

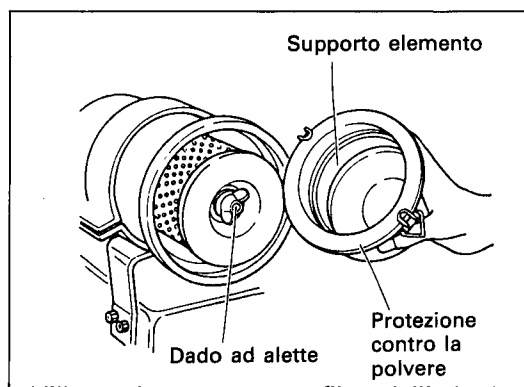
Intervallo della sostituzione	Ogni anno
-------------------------------	-----------

7-4. Sistema di aspirazione dell'aria

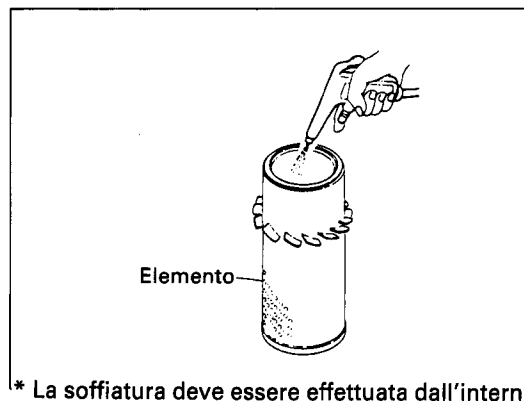
(1) Pulizia del filtro aria

- 1) Smontate il filtro dell'aria in modo da rimuovere l'elemento del filtro dell'aria dopodiché soffiare aria compressa.

Il soffio di aria compressa ($3-5\text{kg/cm}^2$) attraverso l'elemento rimuove la polvere. Rimontate il filtro dell'aria seguendo l'ordine inverso.



L'illustrazione mostra un filtro dell'aria tipo.



7. Controlli periodici e manutenzione

- 2) Estraete il supporto dell'elemento dalla protezione contro la polvere e togliete la polvere dal supporto, questo nel caso che il filtro dell'aria sia dello stesso tipo di quello mostrato in illustrazione.

PRECAUZIONE:

- Se il motore viene fatto funzionare in ambienti polverosi, pulite l'elemento ogni 50 ore.
- Per rimuovere la polvere, non battere l'elemento contro un oggetto solido. Potrebbe deformarsi, danneggiarsi e poi lasciar passare polvere attraverso l'incrinatura.
- Non perforare l'elemento e non fate funzionare il motore senza aver installato l'elemento (la polvere causa una rapida usura delle parti interne del motore).

PRECAUZIONE:

- Non sporcate l'elemento con olio, ecc.

7-5. Controllo del corpo del motore

(1) Corpo del motore

Per controllare e regolare le seguenti voci, contattate il più vicino concessionario Yanmar.

Voce di controllo e regolazione	Intervallo di manutenzione
Regolazione del gioco delle valvole di aspirazione/scarico	Ogni 1000 ore

(2) Lubrificazione della leva di controllo velocità

Lubrificate il collegamento del regolatore per assicurare un funzionamento senza problemi.

Intervallo di lubrificazione	Ogni giorno (prima della messa in funzione)
------------------------------	---

7-6. Controllo delle apparecchiature elettriche

Controllate il funzionamento corretto delle lampade spia. Se vi è qualche anomalia, fermate il motore immediatamente e contattate il più vicino concessionario Yanmar.

Intervallo del controllo	Ogni giorno
--------------------------	-------------

Quando l'interruttore a chiave è acceso:

- 1) Quando il motore non è in funzione

Lampade spia	Spia press. bassa dell'olio	Accesa
	Spia di carica	Accesa
	Spia temp. acqua di raffredd.	Spenta

- 2) Quando il motore è in funzione

Lampade spia	Spia press. bassa dell'olio	Spenta
	Spia di carica	Spenta
	Spia temp. acqua di raffredd.	Spenta

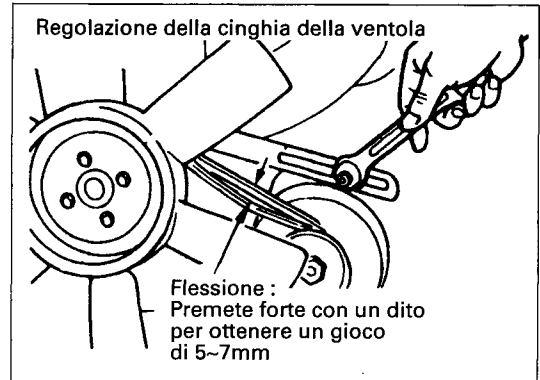
Lo schema sopra è valido nel caso del quadro standard Yanmar.

7. Controlli periodici e manutenzione

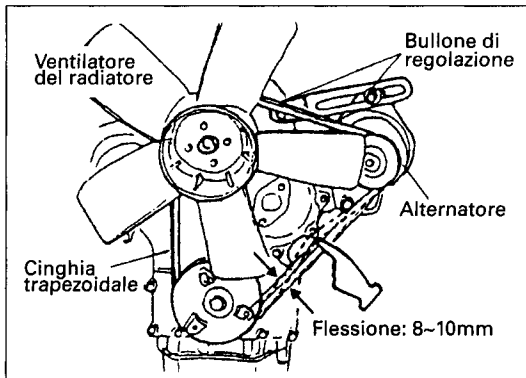
7-7. Controllo e regolazione della tensione della cinghia del ventilatore

Un'eccessiva tensione della cinghia del ventilatore accelera l'usura della cinghia trapezoidale, mentre una tensione scarsa fa girare a vuoto la puleggia, surriscalda il motore e non permette la generazione di energia. Regolate la tensione della cinghia come segue:

- (1) Allentate il bullone di regolazione e spostate il generatore di carica verso l'esterno, per aumentare la tensione, o verso l'interno, per diminuire la tensione.
- (2) Non lasciate che l'olio venga a contatto della cinghia. Se è sporca d'olio la cinghia slitta.



Flessione della cinghia	8~10 (5~7)mm
Intervallo del controllo	1° volta 50 ore 2° volta e successive ogni 200 ore



8. Lunghi periodi di magazzino

8. Lunghi periodi di magazzino

- (1) Riponete il motore in un luogo ben ventilato, dove non vi siano eccessiva umidità e polvere.
- (2) Osservate attentamente queste istruzioni quando riponete il motore per lungo tempo (3 mesi o più):
 - 1) Rimuovete il fango, l'olio, ecc. dalla superficie del motore.
 - 2) Cambiate l'olio del motore.
Cambiate il filtro dell'olio lubrificante.
 - 3) Mettete in funzione il motore almeno una volta al mese se è possibile. Altrimenti osservate le seguenti istruzioni al momento del magazzino e ogni 6 mesi successivamente.
 - Togliete le valvole di iniezione del combustibile sulla testa del cilindro. Immettete 2 cc di olio da motore pulito in ciascuna camera di combustione usando un oliatore a mano. Rimettete le valvole di iniezione e stringetele.
 - Girate la leva di arresto nella posizione "STOP".
 - Girate la chiave di avviamento. Fate girare col motorino di avviamento per circa 10 secondi in modo che le pareti del cilindro vengano oliate uniformemente.
 - 4) Lasciate l'acqua di raffreddamento con l'antigelo, ammesso che questo non sia troppo vecchio.
 - 5) Applicare uno strato sottile di olio pulito su qualsiasi superficie nuda del motore.
 - 6) Coprite la marmitta di scarico, il filtro aria, ecc. con una pellicola di PVC per impedire all'aria umida di entrare nel motore. Proteggete accuratamente l'impianto elettrico dall'umidità nello stesso modo.

- 7) Togliete le batterie dal motore e caricatele completamente prima del magazzino. Caricate le batterie ogni mese durante il magazzino, perchè queste si scaricano naturalmente.

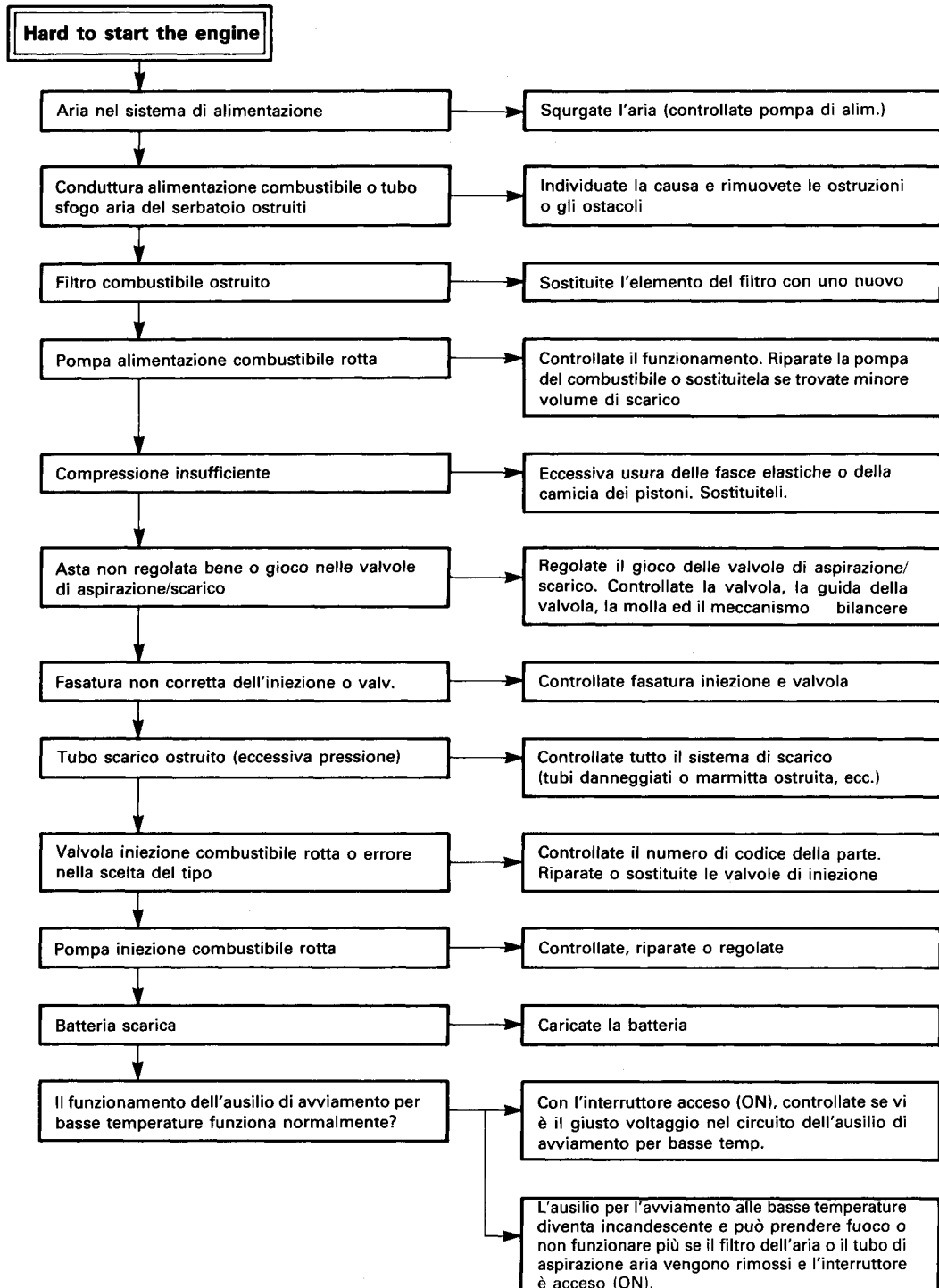


PRECAUZIONE:

- **Non applicate più di 2 cc olio a ciascun cilindro altrimenti potrebbero verificarsi danni interni al motore.**

9. Individuazione dei guasti

9. Individuazione dei guasti



Se non riuscite a trovare la causa, contattate il rivenditore Yanmar più vicino.

YANMAR

**Head Office:
YANMAR POWER TECHNOLOGY CO., LTD.**

1-32 Chayamachi, Kita-ku, Osaka, Japan
<https://www.yanmar.com>

Yanmar America Corporation

101 International Parkway
Adairsville, GA 30103, U.S.A.
TEL: +1-770-877-9894 FAX: +1-770-877-9009
<https://www.yanmar.com/us/>

Yanmar Europe B.V.

Brugplein11, 1332 BS Almere -de Vaart
The Netherlands.
TEL: +31-36-5493200 FAX: +31-36-5493209
<https://www.yanmar.com/eu/>

Yanmar Asia (Singapore) Corporation Pte Ltd.

4 Tuas Lane, Singapore 638613
TEL: +65-6861-3855 FAX: +65-6862-5189
<https://www.yanmar.com/sg/>

Yanmar Engine (Shanghai) Corporation Ltd.

Room 1101-1106, No.757 Mengzi Road,
Huangpu District, Shanghai 200023 PRC
TEL: +86-21-2312-0688 FAX: +86-21-6880-8090
<http://www.yanmar-china.com/cn/>

Yanmar South America Industria De Maquinas Ltda.

Av. Presidente Vargas 1400, Indaiatuba, S.P., Brazil, CEP: 13338-901
TEL: +55-19-3801-9224 FAX: +55-19-3875-3899, 2241
<https://www.yanmar.com/br/>

As of April 1, 2020

OPERATION MANUAL

TNE Series

1st edition: December 2008
2nd edition: September 2012
3rd edition: April 2020

Issued by: YANMAR POWER TECHNOLOGY CO., LTD.
Edited by: YANMAR GLOBAL CS CO., LTD.

YANMAR

YANMAR POWER TECHNOLOGY CO., LTD.

<https://www.yanmar.com>

0ATNE-M00022
Apr.2020
PRINTED IN JAPAN