

Messrs. \_\_\_\_\_

**L-0 model**

Sebango code: AZ	MH	PT
Assy / B1:		
TB / C1:		
Pack / F1:		
Prod.Eng:		
Data:		

Drawing No.	G2-14120-0040(1/3)
DATE	Dec. 5th, 2005
Revision No.	
Revision Date	
Design model ID	714120D
Product. model ID	114127A

## Engine Specification

### For L48N6AF3R4AACD

(Standard for V-machine : Recoil starting)



Contents		
Engine specifications		G2-14120-0040(2/3)
Engine performance		G2-14120-0040(2/3)
Details of specifications		G2-14120-0040(3/3)
Attached	Outline	B2-14120-0040
	Labels	G2-14120-2010
	Performance curve	
	Tools	C2-14110-0010
	Wiring	-----

<b>Revision</b>	<p>(Dec.5th.2005)Registered by YITILU050095.          After finishing Test in YJ,we will reissue with Spring Position &amp; Performance Curve etc.</p>
-----------------	--



YI Engineering Dept.		
Manager	Checked	Drawn
<i>J. Samo</i>	<i>J. Nishimura</i>	<i>J. Nishimura</i>

Revision No.			
--------------	--	--	--

G2-14120-0040 (2/3)

## 1.Engine Specification

Model name			L48N6AF3R4AACD
Type			4-stroke,vertical-cyl,air-cooled diesel
Combustion system			Direct injection
No. of cyl.-bore × stroke	mm		1- $\phi$ 70 × 57
Displacement		liter	0.219
Output	Continuous	kW/min <sup>-1</sup>	* 3.1 ( 4.2PS ,4.2HP ) / 3600
	Maximum	kW/min <sup>-1</sup>	* 3.5 ( 4.7PS ,4.7HP ) / 3600
PTO Shaft	PTO position		Crankshaft
	Direction of rotation		Counterclockwise viewed from PTO side
Injection Timing (FIC-air)		deg.	bTDC.16.5 ± 1.0
Fuel	Oil selection		Diesel fuel
	Tank capacity	liter	2.4
Lubricating	Oil selection		SAE 10W30,API grade CD or higher
	Oil capacity	liter	0.8 (effective,0.25)
Cooling system			Forced air cooling by flywheel fan
Starting system			Re-coil starter
Governor			All speed type, mechanical
Balancer shaft			Single balancer shaft
Air cleaner			Wet type paper element filter
Exhaust silencer			Expansion silencer with cover
Generator (at 3600min <sup>-1</sup> )			NA
Dimensions		mm	Indication in outline drawing
Dry weight		kg	Approx. 27.0

\* Output is given for normal atmosphere conditions and Specs,  
which are defined as follows:  
- Atmospheric pressure: 100 kPa (750mmHg)  
- Atmospheric temperature: 25°C  
- Relative humidity: 30%

## 2.Engine performance

Speed at no load	Minimum	min <sup>-1</sup>	1200 or more	PTO Shaft (Without minimum idling speed adjust bolt. Adjustable figure by your end.)
	Maximum		3800 ± 30	
Governor regulation	Instantaneous speed difference	%	8 or less	
	Permanent speed change		5 or less	
	Recovery time	sec.	5 or less	
	Speed fluctuation	min <sup>-1</sup>	30 or less	
Permissible angle of inclination	Continuous	deg.	20	Operation of up to 3 minutes
	Intermittent		30	
Lowest start temperature	Re-coil starting	°C	0	Without starting aid agent

Revision No.			
--------------	--	--	--

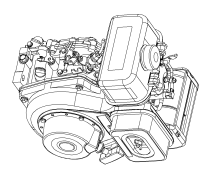
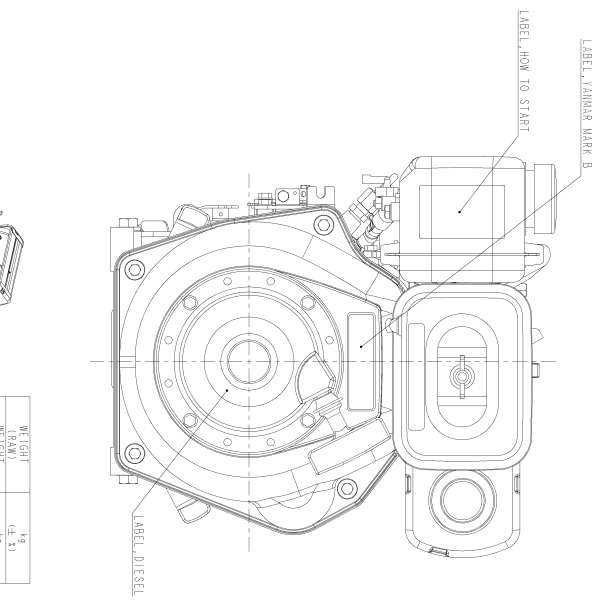
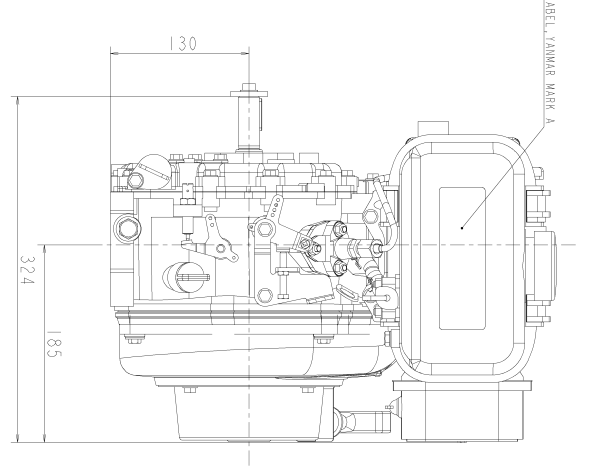
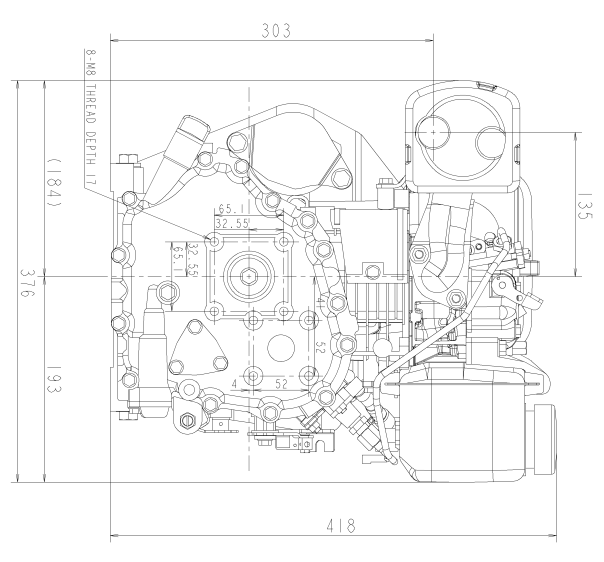
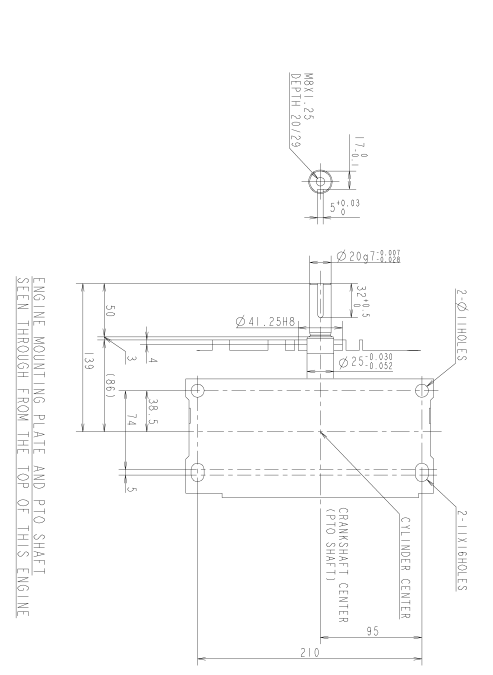
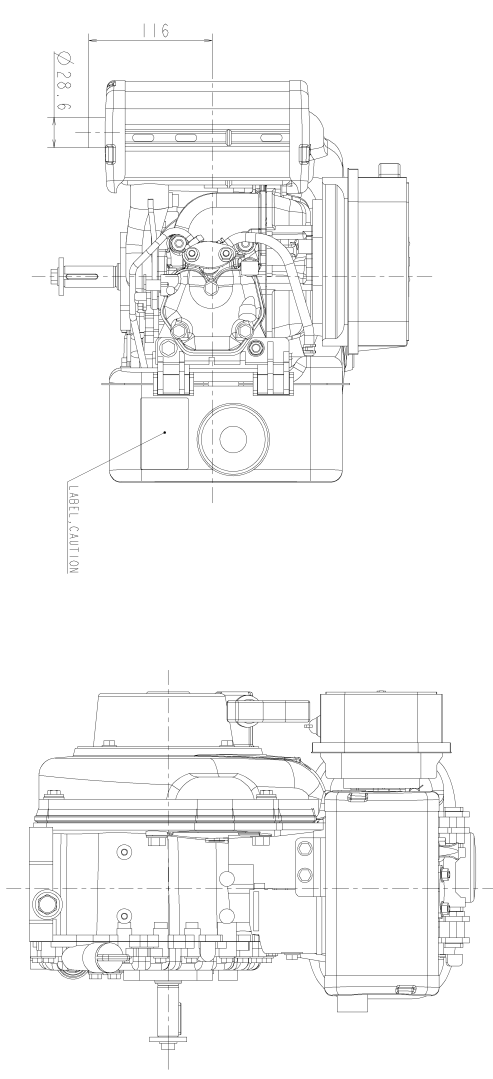
G2-14120-0040 (3/3)

### 3.Details of specifications (STD SPEC. L48N6CA1T1AA)

System	Part name	Code	STD Spec.	Specification	Remarks
Fuel System	Fuel tank	Bm-a	3	same as STD.	Color : Yanmar Black
	Tank stay (A)		114299-55210	same as STD.	
	Tank stay (B)		114299-55230	same as STD.	
	Nozzle, Fuel injection		714120-53100	same as STD.	
Lubricating System	Oil pressure switch	Cm-a	NA	same as STD.	
Cooling System	Flywheel	Dm-a	1	same as STD.	DE Type
	Fan case	Dm-b	1	same as STD.	Color : Gold Silver
Electric System	Electric Regulator & Harness, wire	-	114399-77550	NA	
	Dynamo Assy.	-	114399-78260	NA	
	Air heater	Em-a	NA	same as STD.	
PTO&Flange	Crankshaft	Fm-a	9	114772-21010	D type
	Crank case cover	-	114299-01450	same as STD.	D type
Intake and Exhaust System	Air cleaner	Gm-a	5	114288-12511	Big type(Enter is in back)
	Intake bend	Gm-b	114771-12010	same as STD.	
	Silencer	Gm-c	5	114288-13500	For Big Air cleaner
Starting System	Recoil starter Assy.	Hm-a	3	same as STD.	
	Starting motor	Hm-b	114362-77011	NA	With cover
Speed Control System	Control device Assy.	Im-a	1	4	Remote control type
	Governor lever Assy.	-	114295-61170	same as STD.	2 lever type
	Fuel limiter Assy.	-	114211-66600	same as STD.	Torque limiter type
Decomp system	Bonnet	Lm-a	5	114295-11991	Counter type
Remarks	Fuel oil limiter : Locked by wire High idle adjust bolt : Locked by wire Lubricating Oil : Not provided Fuel Pump Model : N2A Recoil Angle: R1				
Loose parts	Key switch panel CMP		114351-77500	NA	
	Connector		NA	same as STD.	
	Deflector		114299-13800	same as STD.	
	Tools		114299-92590	same as STD.	

GEN. TOL.	1:10 TO ±0.10	1:20 TO ±0.08	1:50 TO ±0.05	1:100 TO ±0.04	1:200 TO ±0.03	1:500 TO ±0.02	1:1000 TO ±0.01
DRAFT ANG.	DRAFT ANG. 0°/30°/45°/60°/90°/120°/150°/180°						
PURCHASING SPECIFICATION	REQUEST FOR APPROVAL DRAWING						
INSPECTING STANDARD	QC-PROCESS						
CAST	L.-CAST						
WALL THICKNESS	5 MAX ±1.5	10 TO 20 ±2.0	30 TO 50 ±3.5	60 TO 120 ±5.0	150 TO 250 ±7.0	300 TO 400 ±9.0	500 TO 800 ±12.0
DIVISION	5 MAX ±1.5	10 TO 20 ±2.0	30 TO 50 ±3.5	60 TO 120 ±5.0	150 TO 250 ±7.0	300 TO 400 ±9.0	500 TO 800 ±12.0
SANDCAST	5 MAX ±1.5	10 TO 20 ±2.0	30 TO 50 ±3.5	60 TO 120 ±5.0	150 TO 250 ±7.0	300 TO 400 ±9.0	500 TO 800 ±12.0
SHELL	5 MAX ±1.5	10 TO 20 ±2.0	30 TO 50 ±3.5	60 TO 120 ±5.0	150 TO 250 ±7.0	300 TO 400 ±9.0	500 TO 800 ±12.0
CHIP	L.-CHIP						
ANGLE	0.5 TO 6 ±0.1	6 TO 30 ±0.2	30 TO 100 ±0.3	100 TO 200 ±0.4	200 TO 400 ±0.5	400 TO 1000 ±0.8	1000 TO 2000 ±1.2
CHIP	0.5 TO 6 ±0.1	6 TO 30 ±0.2	30 TO 100 ±0.3	100 TO 200 ±0.4	200 TO 400 ±0.5	400 TO 1000 ±0.8	1000 TO 2000 ±1.2
MIN	10 MAX ±0.05	50 ±0.10	120 ±0.15	200 ±0.20	400 ±0.30	800 ±0.40	1500 ±0.50

FORM	GT CODE	CAREER
DRAWING	AND / RADIAL	



WEIGHT (GROSS)	14 (±3)
WEIGHT (NET)	14 (±3)
SEC. MANAGER	J. SAMO
CHECKED	SPECIALIST
DATE	13 NOV 2005
DESIGNED	H. OKAWA
DRAWN	M.D. NAME
SCALE	FREE
MATERIAL	
OUTLINE	
CODE	B2-14120-0040
DATE	2005.11.13

# LABELS

G2-14120-2010

No.	L A B E L S	P L A C E	C O N T E N T S
1	LABEL, ENGINE NAME	COVER (CYLINDER	—————
2	LABEL, YANMAR MARK (A	F. O. TANK	THE FOLLOWING DETAILS
3	LABEL, CAUTION	F. O. TANK	//
4	LABEL, HOW TO START	F. O. TANK	//
5	LABEL, YANMAR MARK (B	FANCASE, COOLING	//
6	LABEL, DIESEL	RECOIL STARTER	//

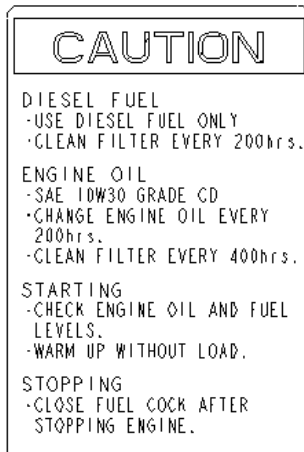
② LABEL, YANMAR MARK (A



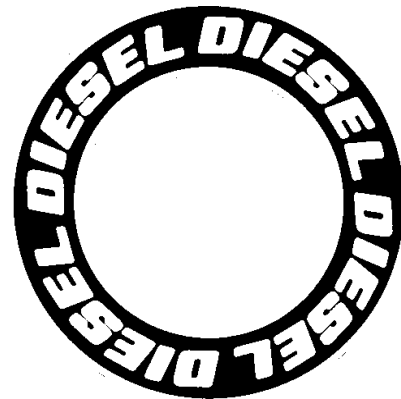
⑤ LABEL, YANMAR MARK (B



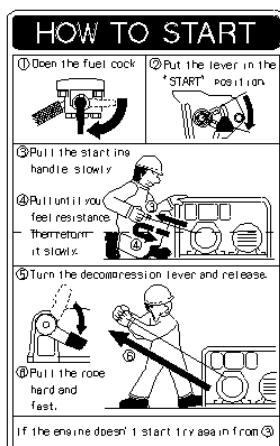
③ LABEL, CAUTION



⑥ LABEL, DIESEL

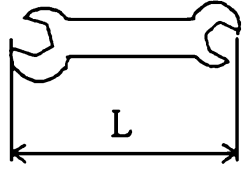
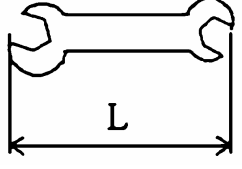
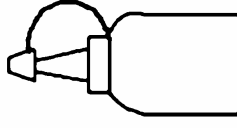
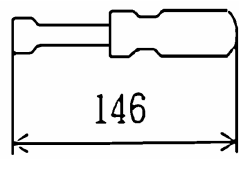
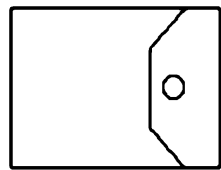


④ LABEL, HOW TO START



標準工具 TOOLS

C2-14110-0010

区分 ITEM	名称 DESCRIPTION	部品コード及び略図 PART NUMBER	材質 MATERIAL	個数 Q'ty	備考 NOTES
工	1 両口スパナ WRENCH 14×17	114299-92720 	UNI EN 10083/1 C40	1	L=163
	2 両口スパナ WRENCH 10×12	114299-92710 	UNI EN 10083/1 C40	1	L=128
	3 油さし FEEDER, OIL	114299-92740 	合成樹脂 POLYETHYRENE	1	
具	4 +-ねじまわし SCREWDRIVER	114299-92730 	UNI EN 10083/1 C40 & 合成樹脂 PVC	1	
	5 工具袋 BAG, TOOL	114299-92600 	黒色ビニール PVC	1	