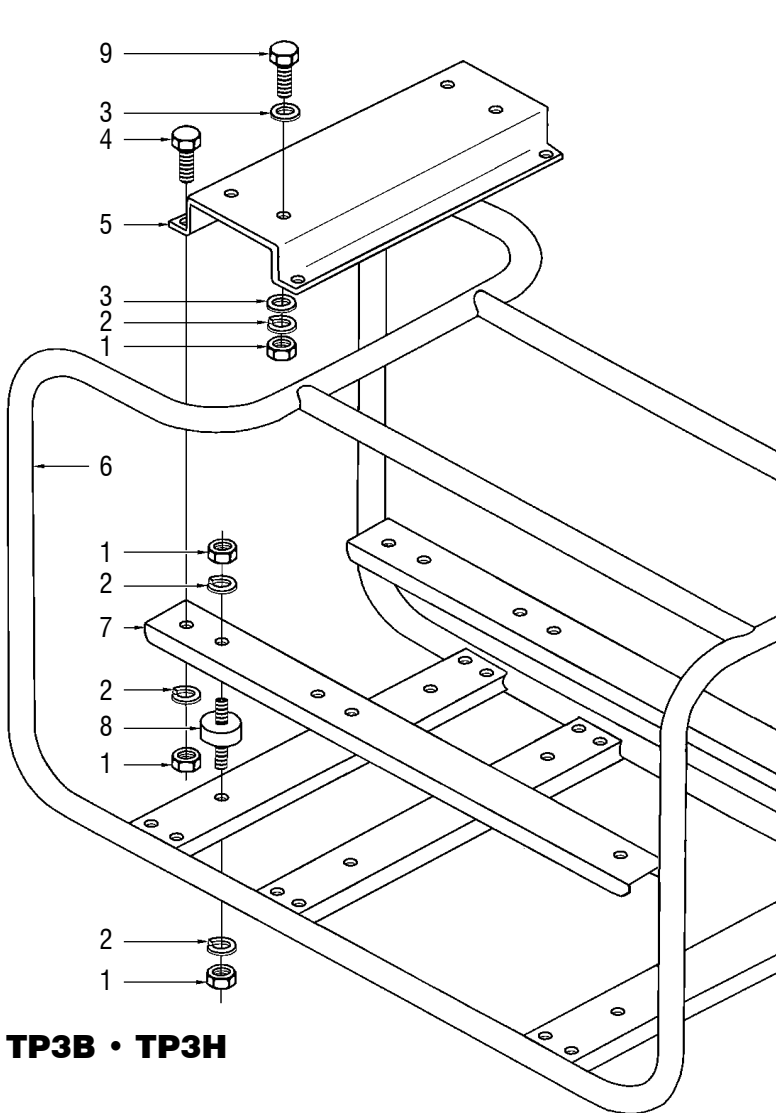


TORQUE SPECS

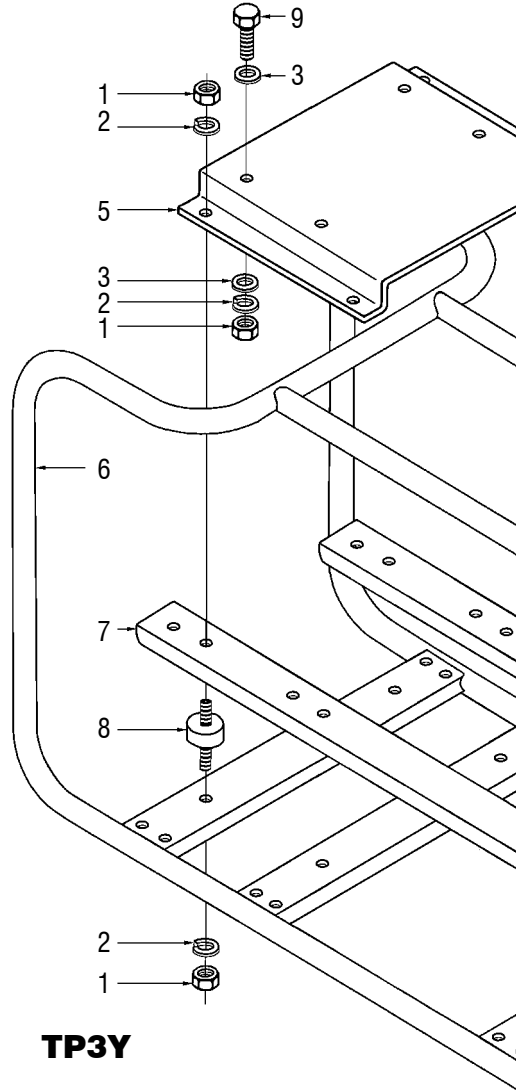
REF NO.	Inch Pounds	Newton Meters	Notes:
1	200-225	22.6-25.4	
16	150-200	16.9-22.6	
22	25-35	2.8-4.0	

REF NO.	PART NO.	DESCRIPTION	QTY.
NS	15013	Engine, B&S Intek Pro 8hp (TP3B)	1
NS	00972	Engine, Honda GX240 8hp (TP3H)	1
NS	15046	Engine, Yanmar Diesel 6.7hp (TP3Y)	1
1	80771 B	Screw, 3/8-16 x 1-1/4" (TP3B, TP3H)	4
	15065	Screw, Metric, M8 x 1-1/4" (TP3Y)	4
2	62666	Sealing Washer (TP3B, TP3H)	4
	62874	Sealing Washer (TP3Y)	4
3	51459 4	Pump Body [includes #4]	1
4	15064	Set Screw, 5/8 x 1" (TP3B/H)	1
5	51456 1	Wear Plate	1
6	62688	Slinger	1
7	54866 2A	Disconnect Handle	4
8	62677	Impeller Shim, .032"	AR
	62676	Impeller Shim, .015"	AR
	62675	Impeller Shim, .010"	AR
9	62655 1	Impeller	1
10	51458 1	Impeller Housing	1
11	54398	Handle Stud	4
12	54397	Handle Pivot	4
13	62713 1A	Shaft Seal	1
14	80049	Cap Screw, Hex Head, 1/4-20 x 5/8"	3
15	83020	Lockwasher, 1/2"	2
16	80272	Cap Screw, Hex Head, 1/2-13 x 1-1/4"	2
17	81111	Hex Nut, 10-32	2

REF NO.	PART NO.	DESCRIPTION	QTY.
18	62657 6A	Suction Fitting	1
19	62669	Plate Valve	1
20	62667	Flapper Valve	1
21	62668	Plate Valve	1
22	80032	Screw, 10-32 x 1/2"	2
23	62367	Pump Body Gasket	1
24	43969	Filler Plug [includes #25]	1
25	18108	Gasket	1
26	A 43896	Drain Cap [includes #27]	1
27	59910	Gasket	1
28	62363 A	End Plate Gasket	1
29	62665 A	Impeller Housing Gasket	1
30	62716	Impeller Nut	1
31	62772	O-Ring	1
32	A 47716	End Housing [includes #33 - 35]	1
33	54289 1	Nipple	1
34	08970	Decal, Fill Pump	1
35	08971	Decal, Warning	1
36	09081	Decal, Safety Sign (On Engine)	1
37	15057	Sleeve (TP3Y)	4



TP3B • TP3H



TP3Y

REF NO.	PART NO.	DESCRIPTION	QTY.
1	81162	Hex Nut, 5/16-18 (TP3B/H) (TP3Y)	20 16
2	83002	Lock Washer, 5/16" (TP3B/H) (TP3Y)	20 16
3	84046	Flat Washer, 5/16"	8
4	80085	Hex Head Screw, 5/16-18 x 1" (TP3B/H) ...	4
5	42121 1A	Engine Bracket (TP3B/H) 15069 Engine Bracket (TP3Y)	1 1
6	A 07952	Roll Cage	1
7	07958	Engine Channel	2
8	49367	Vibration Isolator	6
9	80288	Hex Head Screw, 5/16-18 x 1-3/4"	4

TORQUE SPECS			
REF NO.	Inch Pounds	Newton Meters	Notes:
1	130-145	14.7-16.4	
4	205-225	23.2-25.4	17-18.8 Foot Pounds
9	160-200	18.1-22.6	

OTHER PARTS & ACCESSORIES:

PART NO.	DESCRIPTION
A 48377 B	Overhaul Seal Kit
74454 A	Suction Strainer, 3"
15037	Foot Valve, 3"
L 19959	Owner's Manual
A 15061	Spanner Wrench Kit, 3"
A 15043	Dolly Kit