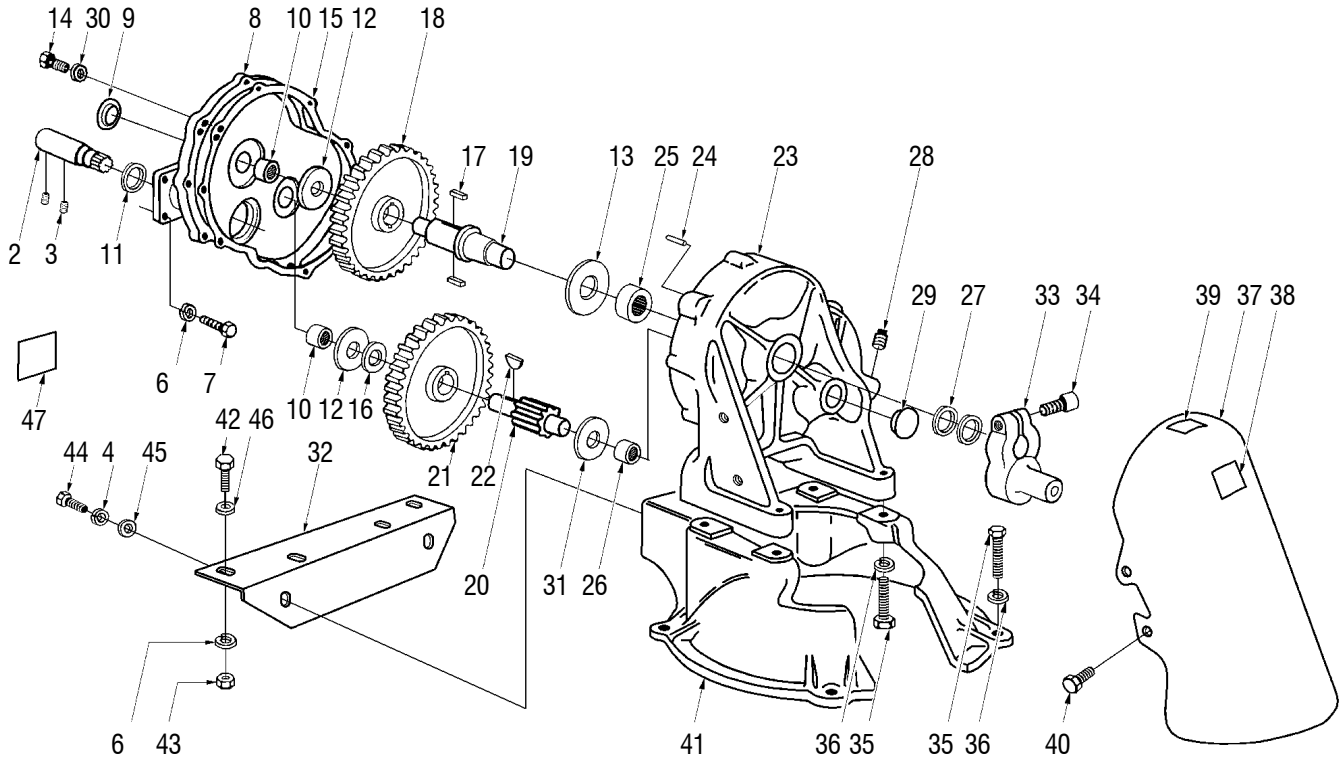


**DP3B (L1482Z) • DP3H (L1604Z)**



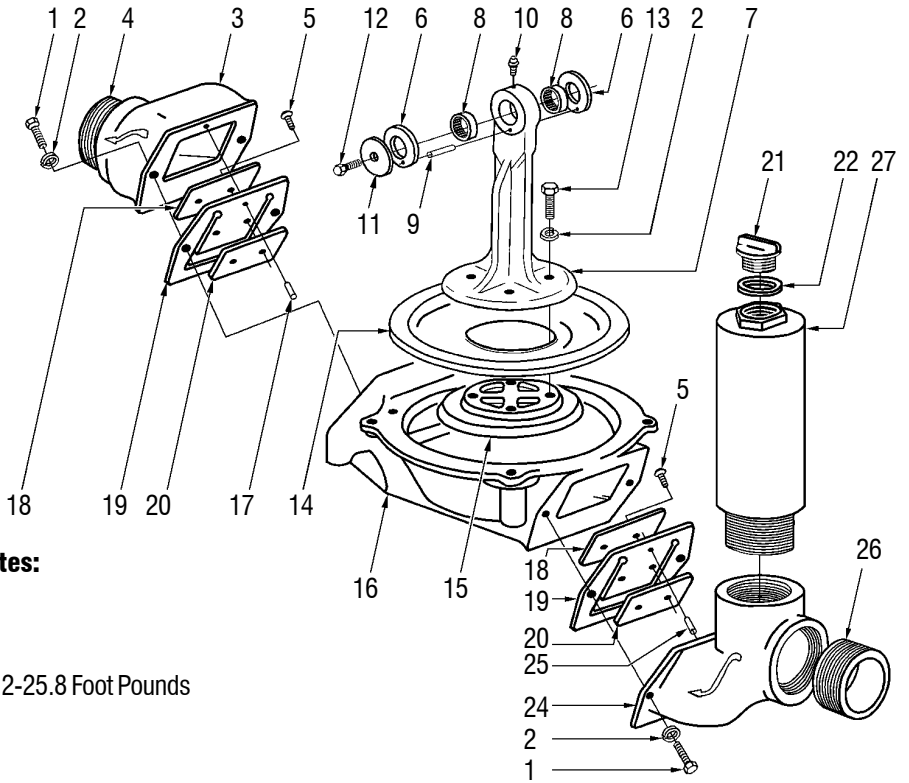
REF NO.	PART NO.	DESCRIPTION	QTY.
NS	54965 D	Engine, B&S Standard 3½ hp (DP3B) .....	1
NS	08171	Engine, Honda GX160 5½ hp (DP3H) .....	1
2	A 01534	Shaft, Extension [includes #3] .....	1
3	80357	Setscrew, 1/4-20 x 3/8" .....	2
4	83009	Lockwasher, 1/4" (see also #30) .....	2
6	83002	Lockwasher, 5/16" .....	6
7	80376	Screw, Hex Head, 5/16-24 x 7/8" .....	4
	PA 54976	Gearbox, Assembled [includes #8-30] .....	1
8	A 75983	Gear Case Cover [includes #9, 10, 11] ...	1
9	74137	Bearing Cap .....	2
10	74251	Needle Bearing .....	2
11	74333	Extension Shaft Seal .....	1
12	73850	Thrust Washer .....	2
13	73855	Thrust Washer .....	1
14	82496	Screw, Hex Head, 1/4-20 x 1" .....	10
15	74147	Gasket, Gear Case .....	1
16	73885	Spacer .....	1
	A 74334	Gear & Shaft Assembly [incl.#17, 18, 19] 1	
17	27752	Key .....	2
18	73866 1A	Gear, Pump .....	1
19	73853	Shaft .....	1
	A 74335	Gear & Shaft Assembly [incl. #20, 21, 22] 1	
20	73883	Pinion Shaft .....	1
21	74352 1	Gear .....	1
22	74353 1	Key .....	1
23	A 74312 1	Gear Case Assembly [incl. #24 - 29] .....	1
24	74332	Dowel Pin .....	2
25	74252	Needle Bearing .....	1
26	74251	Needle Bearing .....	1
27	74333	Seal, Garlock .....	2
28	50949	Pipe Plug .....	1
29	74137	Bearing Cap .....	1
30	83009	Lockwasher, 1/4" (see also #4) .....	10

REF NO.	PART NO.	DESCRIPTION	QTY.
31	73850	Thrust Washer .....	1
32	75981 1A	Bracket, Engine to Pump .....	1
33	73858 5A	Crank .....	1
34	80423	Screw, Socket Head, 1/2-13 x 1-1/2" .....	1
35	80627	Screw, Hex Head, 1/2-13 x 1-3/4" .....	8
36	83020	Lockwasher, 1/2" .....	8
37	A 50785	Guard, Pump Rod [includes #38, 39] .....	1
38	08972	Decal, Grease .....	1
39	08971	Decal, Warning .....	1
40	80676	Screw, Hex Head, 12-24 x 3/8" .....	4
41	74118 5A	Pump Body, Upper .....	1
42	80288	Screw, Hex Head, 5/16-18 x 1-3/4" .....	2
43	81162	Hex Nut, 5/16-18 .....	2
44	80052	Screw, Hex Head, 1/4-20 x 3/4" .....	2
45	84020	Washer, Flat, 1/4" .....	4
46	84032	Washer, Flat, 5/16" .....	2
47	09081	Decal, Safety Sign (on engine) .....	1

**TORQUE SPECS**

REF NO.	Inch Pounds	Newton Meters	Notes:
3	150-180	16.9-20.3	
14	100-120	11.3-13.6	
34	1140-1260	128.8-142.4	95-105 Foot Pounds
35	540-660	61.0-74.6	45-55 Foot Pounds
42	150-180	16.9-20.3	
44	100-120	11.3-13.6	

**DP3B (L1482Z) • DP3H (L1604Z)**



**TORQUE SPECS**

REF NO.	Inch Pounds	Newton Meters	Notes:
1	150-180	16.9-20.3	
5	7-9	.8-1.0	
12	150-180	16.9-20.3	
13	290-310	32.8-35.0	24.2-25.8 Foot Pounds

REF NO.	PART NO.	DESCRIPTION	QTY.
1	80627	Screw, Hex Head, 1/2-13 X 1-3/4" .....	4
2	83020	Lockwasher, 1/2" .....	8
3	A 09281	Discharge Fitting [includes #4] .....	1
4	07982 1	Nipple, 3" NPT .....	1
5	80032	Screw, Fillister Head, 10-32 x 1/2" .....	4
6	73856	Thrust Washer .....	2
7	A 74339	Pump Rod [includes #8, 9, 10] .....	1
8	74121	Needle Bearing .....	2
9	76982	Spring Pin .....	1
10	32409	Grease Fitting .....	1
11	73857	Washer .....	1
12	80095	Screw, Hex Head, 3/8-16 x 1" .....	1
13	80272	Screw, Hex Head, 1/2-13 x 1-1/4" .....	4
14	03438	Diaphragm .....	1
15	73706 1	Diaphragm Plate .....	1

REF NO.	PART NO.	DESCRIPTION	QTY.
16	73877 3A	Pump Body .....	1
17	54890 1	Roll Pin .....	1
18	74156	Valve Plate .....	2
19	74154 1	Flapper Valve .....	2
20	74155 1	Valve Weight .....	2
21	43969	Filler Plug [includes #22] .....	1
22	18108	Gasket, Plug .....	1
	A 47623	Suction Fitting Assy. [incl #24, 25, 26] .....	1
24	73805 3A	Suction Fitting .....	1
25	54890 1	Roll Pin .....	1
26	74343 1	Nipple .....	1
27	74344 3A	Standpipe .....	1

REF NO.	PART NO.	DESCRIPTION	QTY.
1	A 07961	Roll Cage .....	1
2	84035	Washer, Flat, 1/2" .....	4
3	83020	Lockwasher, 1/2" .....	4
4	80272	Screw, Hex Head, 1/2-13 x 1-1/4" .....	4

**TORQUE SPECS**

REF NO.	Inch Pounds	Newton Meters	Notes:
4	290-310	32.8-35.0	24.2-25.8 Foot Pounds

**OTHER PARTS & ACCESSORIES:**

PART NO.	DESCRIPTION
74454 A	Strainer, 3"
15037	Foot Valve, 3"
L 19948	Owner's Manual
55291 F	Gear Oil, 80-90W
A 15061	Spanner Wrench Kit, 3"
A 15043	Dolly Kit

