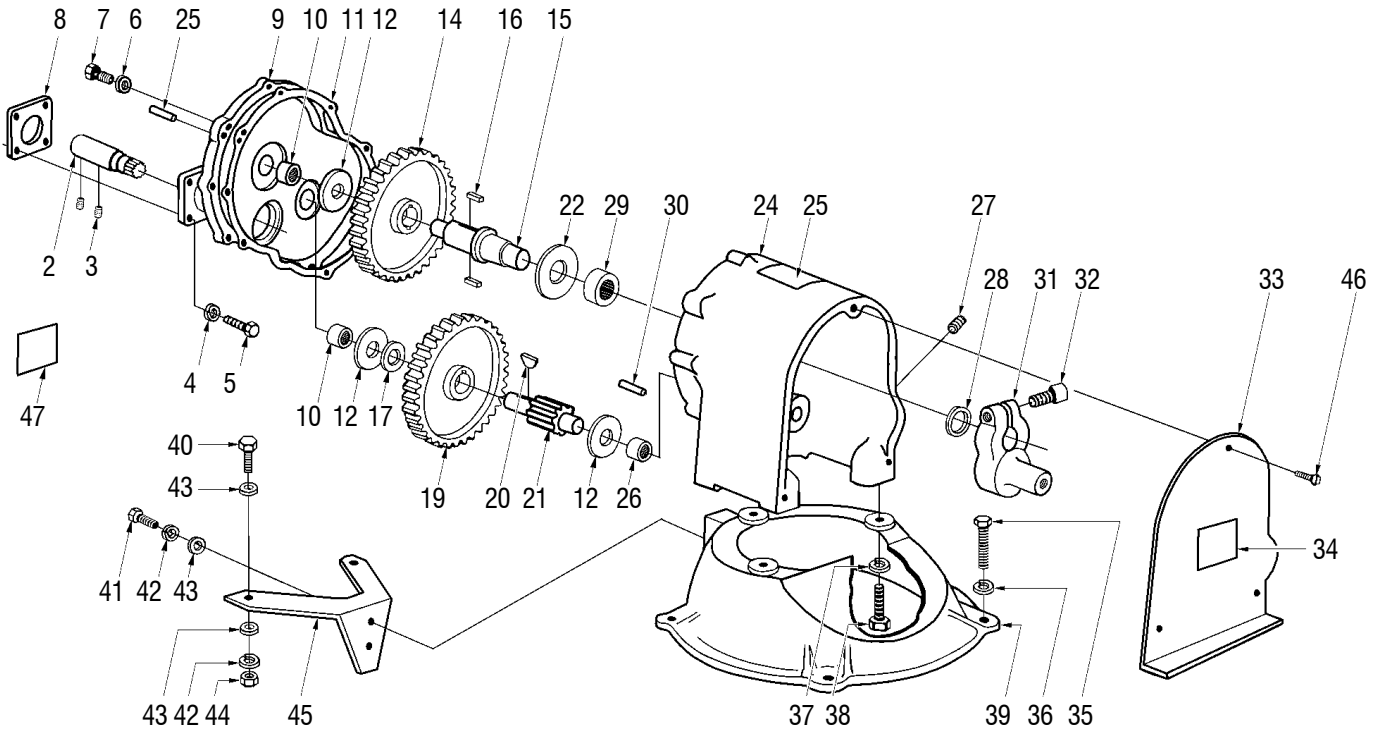


DP2B (L1496Z) • DP2H (L1603Z)



REF NO.	PART NO.	DESCRIPTION	QTY.	REF NO.	PART NO.	DESCRIPTION	QTY.
NS	54965 D	Engine, B&S Standard 3½ hp (DP2B)	1	31	73858 5A	Crank	1
NS	08171	Engine, Honda GX160 5½ hp (DP2H)	1	32	80423	Cap Screw, 1/2-13 x 1-1/2"	1
2	A 01534	Extension Shaft [includes #3]	1	33	50731 1A	Shield, Crank [includes #34]	1
3	80357	Set Screw, 1/4-20 x 3/8" (Nylok)	2	34	08972	Decal, Grease	1
4	83002	Lockwasher, 5/16"	4	35	80097	Screw, Hex Head, 3/8-16 x 1-1/2"	4
5	80376	Screw, 5/16 x 24 x 1-3/4"	4	36	83018	Lockwasher, 3/8"	4
6	83009	Lockwasher, 1/4"	10	37	83020	Lockwasher, 1/2"	3
7	80388	Screw, Hex Head, 1/4-20 x 1-1/4"	10	38	80627	Screw, Hex Head, 1/2-13 x 1-3/4"	3
8	50666	Gasket, Engine Mounting	1	39	50464 2A	Pump Body, Upper	1
	A 09268	Gearbox, Assembled [includes #9-30]	1	40	80087	Screw, Hex Head, 5/16-18 x 1-1/2"	2
9	A 50487	Gear Case Cover Assy. [includes #10] ..	1	41	82598	Screw, Hex Head, 5/16-18 x 7/8"	2
10	50493	Needle Bearing	2	42	83002	Lockwasher, 5/16"	4
11	50485	Gasket, Gear Case	1	43	84032	Washer, Flat, 5/16"	6
12	50471	Thrust Washer	3	44	81162	Hex Nut, 5/16-18	2
	A 50490	Gear & Shaft Assy. [incl. #14, 15, 16]	1	45	50484 1A	Support, Engine	1
14	73866 1A	Gear, Main	1	46	51247	Thumb Screw, 1/4-20 x 1/2"	3
15	50475	Shaft	1	47	09081	Decal, Safety Sign (On Engine)	1
16	27752	Key	2				
17	50496	Spacer	1				
	A 50486	Gear & Shaft Assy. [incl. #19, 20, 21]	1				
19	74352 1	Gear	1				
20	66612	Woodruff Key, #61	1				
21	50474	Pinion Shaft	1				
22	50483	Thrust Washer, Large	1				
	A 50492 A	Gear Case Assembly [incl. #24 - 30]	1				
24	50481 2A	Gear Case [includes #25]	1				
25	08971	Decal, Warning	1				
26	50493	Needle Bearing	1				
27	50949	Pipe Plug	1				
28	74333	Seal, Garlock	1				
29	74252	Needle Bearing	1				
30	74332	Dowel Pin	2				

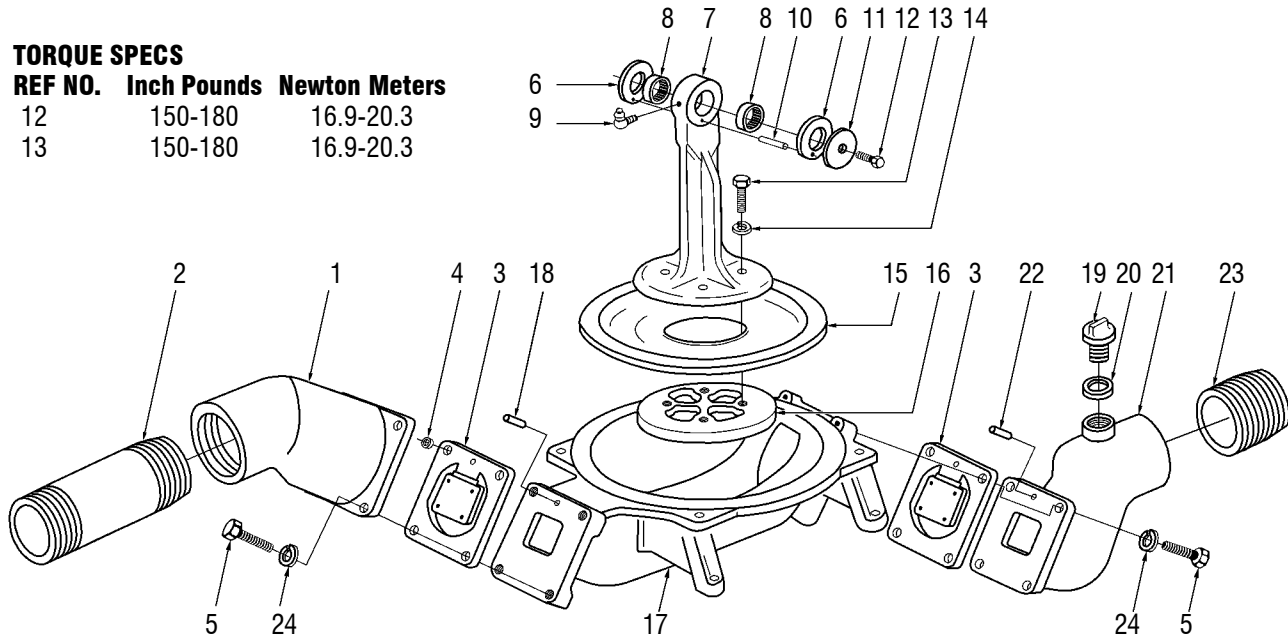
TORQUE SPECS

REF NO.	Inch Pounds	Newton Meters	Notes:
3, 5	150-180	16.9-20.3	
7	100-120	11.3-13.6	
32	1140-1260	128.8-142.4	95-105 Foot Pounds
35	240-260	27.1-29.4	20-22 Foot Pounds
38	540-660	61.0-74.6	45-55 Foot Pounds
40	150-180	16.9-20.3	
41	100-120	11.3-13.6	

DP2B (L1496Z) • DP2H (L1603Z)

TORQUE SPECS

REF NO.	Inch Pounds	Newton Meters
12	150-180	16.9-20.3
13	150-180	16.9-20.3



REF NO.	PART NO.	DESCRIPTION	QTY.	REF NO.	PART NO.	DESCRIPTION	QTY.
1	A 09283	Discharge Fitting [includes #2]	1	12	80171	Screw, Hex Head, 3/8-16 x 3/4"	1
2	07981	Nipple, 2" NPT x 7"	1	13	80771 B	Screw, Hex Head, 3/8-16 x 1-1/4"	4
3	A 42147	Valve & Insert [includes #4]	2	14	83018	Lockwasher, 3/8"	4
4	42148	Spacer	8	15	03439	Diaphragm	1
5	80088	Screw, Hex Head, 5/16-18 x 1-1/4"	8	16	50479 1	Diaphragm Cap	1
6	50483	Thrust Washer, Large	2	17	50465 2A	Pump Body, Lower	1
	A 51221	Pump Rod Assembly [includes #7 - 10]	1	18	54890 1	Pin1	
7	50472 1	Pump Rod	1	19	A 43896	Drain & Filler Cap [includes #20]	1
8	74121	Needle Bearing	2	20	59910	Gasket	1
9	50911	Grease Fitting	1	21	A 09282	Suction Fitting [includes #22, 23]	1
10	76982	Pin	1	22	54890 1	Pin	1
11	73857	Washer	1	23	75663 1	Nipple, 2" NPT	1
				24	83002	Lockwasher, 5/16"	8

REF NO.	PART NO.	DESCRIPTION	QTY.
1	A 07966	Roll Cage	1
2	83002	Lockwasher, 5/16"	4
3	84032	Washer, Flat, 5/16"	4
4	80088	Screw, Hex Head, 5/16-18 x 1-1/4"	4

OTHER PARTS & ACCESSORIES:

PART NO.	DESCRIPTION
55291 F	Gear Oil, 80-90W
54702 A	Strainer, 2"
15036	Foot Valve, 2"
L 19954	Owner's Manual
A 15060	Spanner Wrench Kit, 2"
A 15043	Dolly Kit

TORQUE SPECS

REF NO.	Inch Pounds	Newton Meters	Notes:
4	150-180	16.9-20.3	

