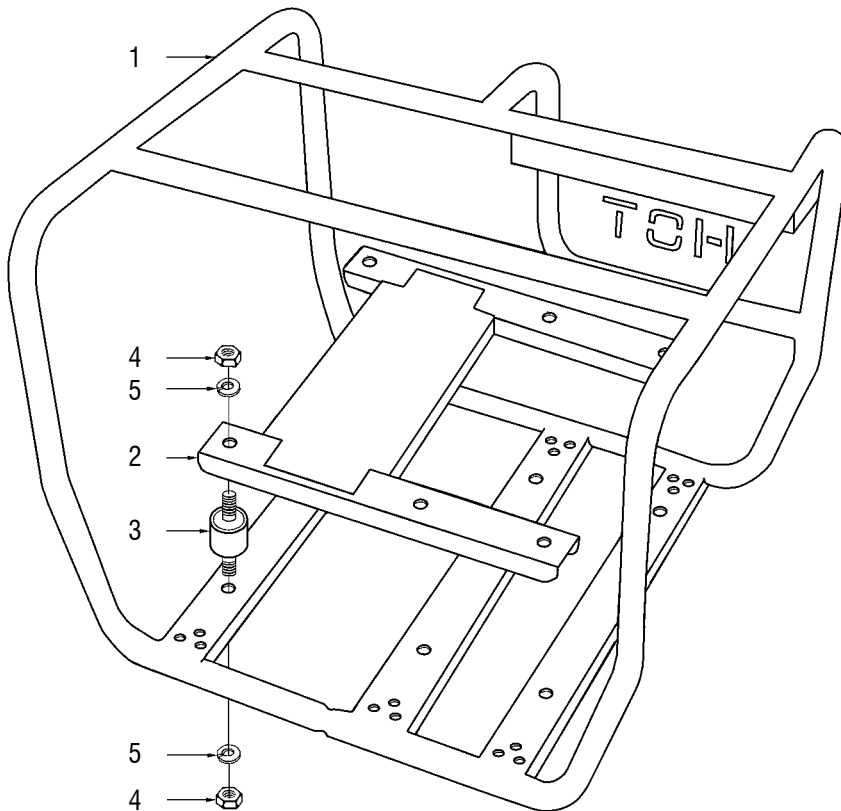


REF NO.	PART NO.	DESCRIPTION	QTY.	REF NO.	PART NO.	DESCRIPTION	QTY.
1	15005	Engine, Vanguard OHV, 13 hp (FP25V)	1	22	47364 1A	End Housing	1
	15011	Engine, Honda GX390 OHV, 13 hp (FP25H)	1	23	47046	Shaft Seal	1
	15012	Engine, Honda GX390 OHV, 13 hp (FP25HE)	1	24	62688	Slinger	1
	15044	Engine, Yanmar Diesel, 10 hp (FP25Y)	1	25	83018	Lock Washer, 3/8"	4
	15045	Engine, Yanmar Diesel, 10 hp (FP25YE)	1	26	81043	Hex Nut, 3/8-16	4
2	20629	Drain Plug	1	NS	09081	Decal, Safety Sign (On Engine)	1
3	A 48843 1A	Pump Body	1	NS	08971	Decal - Warning (On Engine)	1
4	47447	Bearing, Bronze	1	29	47913	Priming Lever	1
	15016	Bearing, Stainless Steel	1	30	15041	Muffler (FP25V)	1
5	PA 00125	Impeller	1		15042	Muffler (FP25H/HE)	1
6	47468	O-Ring	1		15051	Muffler (FP25Y/YE)	1
7	80095	Screw, 3/8-16 x 1" (FP25V/H/HE)	4	31	02490	Screw, Hex Head, 1/4-20 x 1"	1
	15056	Screw, Metric, 8mm x 30mm (FP25Y/YE) ..	4	32	15048	Locking Hex Nut, 1/4-20	1
9	84010	Washer, Flat, 3/8"	8	33	66744	Spring Pin	1
10	81225	Hex Nut, 12-24	1	34	47916 1	Flapper Valve	1
11	48488	Washer, Flat	1	35	PS 00255	Muffler Brace (FP25V/H/HE)	1
12	48845	Flapper Valve	1	36	54756 B	Muffler Strap (FP25V/H/HE)	1
13	47361	Valve Weight	1	37	A 15063	Priming Venturi	1
14	80676	Screw, Hex Head, 12-24 x 5/8"	1	38	47069	Nipple, Close, 1/4"	1
15	48844 1A	Valve Body	1	39	PS 32369	Street Fitting, 1/4"	1
16	83116	Collar Washer, 3/8"	5	40	43736	Valve	1
17	82479	Socket Screw, 3/8-16 x 2"	5	41	PA 00099	Vacuum Line (FP25V)	1
18	47048	Pressure Gauge	1		A 15010	Vacuum Line (FP25H/HE)	1
19	80098	Cap Screw, Hex Head, 3/8-16 x 1-3/4"	4		A 15050	Vacuum Line (FP25Y/YE)	1
20	80446	Cap Screw, Hex Head, 1/2-13 x 1"	4	42	47911	Connector, 45° Flare	2
21	84035	Washer, Flat, 1/2"	4	43	15007	Stud, 8mm (FP25H/HE)	2
				44	84004	Flat Washer, 1/4"	1
				45	84010	Flat Washer, 3/8"	4

TORQUE SPECS

REF NO.	Inch Pounds	Newton Meters	Notes:
8	240-300	27.1-33.9	20-25 Foot Pounds
14	20-25	2.3-2.8	
17	140-160	15.8-8.1	
19	160-200	18.1-22.6	
20	350-400	39.6-45.2	29.2-33.3 Foot Pounds
31	---	---	Tighten until Priming Lever (Item 29) is snug, but free to move.

REF NO.	PART NO.	DESCRIPTION	QTY.
1	PA 00097	Roll Cage (FP25V/VI/H/HE)	1
	A 15052	Roll Cage (FP25Y/YE)	1
2	PA 00098	Engine Support.....	1
3	49367	Isolator	6
4	81162	Nut, 5/16-18	12
5	83002	Lockwasher, 5/16"	12



TORQUE SPECS

REF NO.	Inch Pounds	Newton Meters	Notes:
4	145-155	16.4-17.5	

OTHER PARTS & ACCESSORIES:

PART NO.	DESCRIPTION
01521	Strainer, 2-1/2 x 8 NPS
43742	Strainer, 2-1/2 x 7-1/2NH
L 00247	Owner's Manual