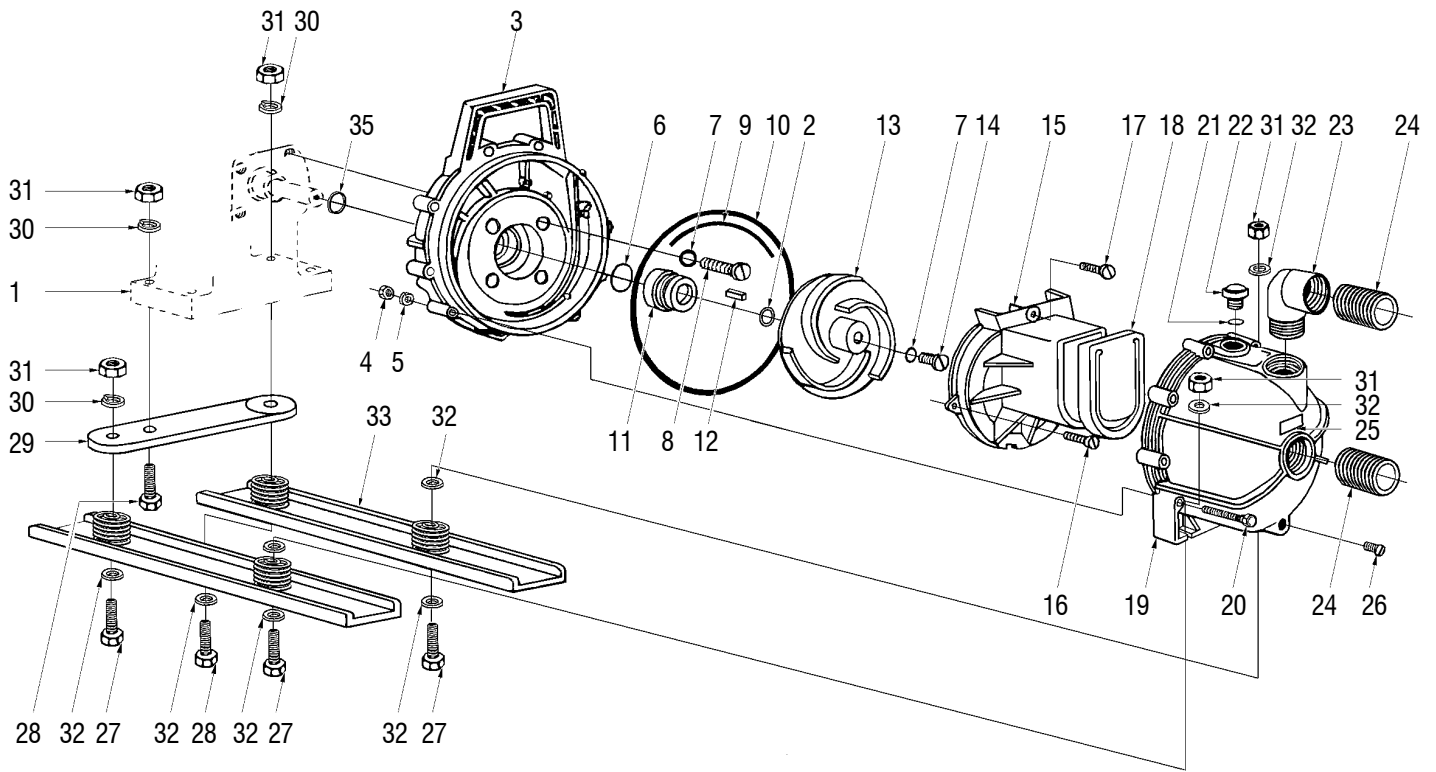


AP32B (L1551Z) • AP62B (L1618Z)



| KEY NO. | PART NUMBER | DESCRIPTION | QTY. | KEY NO. | PART NUMBER | DESCRIPTION | QTY. |
|---------|-------------|---|------|---------|-------------|---|------|
| 1 | 04867 A | Engine, B&S Standard 3½ hp (AP32B) | 1 | 18 | 43276 B | Check Valve (Buna N) | 1 |
| | 15017 | Engine, B&S Powerbuilt OHV 5½ hp (AP62B) .. | 1 | 19 | 43278 A | Body [includes (2) Decals] | 1 |
| 2 | 42382 | Shim, .010" | AR | NS | 08970 | Decal, Fill Pump | 1 |
| | 42383 | Shim, .015" | AR | NS | 08971 | Decal, Warning | 1 |
| 3 | 43270 B | Impeller Housing | 1 | 20 | PS 46045 A | Screw, 1/4-20 x 2-1/2" | 10 |
| 4 | 81172 B | Hex Nut, 1/4 - 20 | 10 | 21 | 43316 | O-Ring, Fill Plug (Buna N) | 1 |
| 5 | 83051 B | Lockwasher, 1/4" | 10 | 22 | 43311 A | Filler Plug [Note: #21 O-Ring not included] . | 1 |
| 6 | 43751 | O-Ring (Buna N) | 1 | 23 | 43305 | Street Elbow, 2" | 1 |
| 7 | 67900 | O-Ring, Screw (Buna N) | 5 | 24 | 03040 | Nipple, 2" | 2 |
| 8 | 43302 B | Bracket Screw, Pan Head, Stainless | 4 | 25 | 48328 | Decal, Buna-N | 1 |
| 9 | 43272 | O-Ring, Segment (Buna N) | 1 | 26 | 46317 A | Drain Plug | 1 |
| 10 | 43273 | O-Ring, Body (Buna N) | 1 | 27 | 46053 A | Screw, Hex Head, 5/16-18 x 1" | 3 |
| 11 | 43271 | Shaft Seal (Buna N) | 1 | 28 | 80288 | Screw, Hex Head, 5/16-18 x 1-3/4" | 2 |
| 12 | 43301 A | Key, 3/16 x 3/16 x 1 | 1 | 29 | 43262 1 | Mounting Bar | 1 |
| 13 | 43274 B | Impeller | 1 | 30 | 83002 | Lockwasher, 5/16" | 3 |
| 14 | 43284 B | Impeller Screw, 5/16-24 x 3/4" | 1 | 31 | 81162 | Hex Nut, 5/16-18 | 5 |
| 15 | 43324 A | Volute | 1 | 32 | 84046 | Washer, Flat, 5/16" | 8 |
| 16 | 43285 C | Volute Screw, Stainless, 6-32 x 1/2" | 2 | 33 | A 43263 | Skid Assembly | 2 |
| 17 | 46044 A | Volute Assembly Screw, 10-24 x 1-1/2" | AR | 35 | 02964 | Slinger | 1 |
| | | | | NS | 09081 | Decal, Safety Sign (On Engine) | 1 |

TORQUE SPECS

| REF NO. | Inch Pounds | Newton Meters | Notes: |
|---------|-------------|---------------|---------------------|
| 8 | 70-90 | 7.9-10.2 | Use Loctite Red 262 |
| 14 | 20-25 | 2.3-2.8 | Use Loctite Red 262 |
| 16 | 15-20 | 1.7-2.3 | |
| 17 | 15-20 | 1.7-2.3 | |
| 20 | 20-25 | 2.3-2.8 | |
| 27 | 140-160 | 15.8-18.1 | |
| 28 | 140-160 | 15.8-18.1 | |

OTHER PARTS & ACCESSORIES:

| PART NO. | DESCRIPTION |
|-----------|-----------------------|
| A 43297 C | EPDM Repair Kit |
| A 47832 A | Buna-N Repair Kit |
| A 48299 A | Viton Seal Kit |
| L 17043 | Owner's Manual |
| 43307 | Strainer, 2", Plastic |
| 19189 B | Spanner Wrench, 2" |
| 15036 | Foot Valve, 2" |