

REF NO.	PART NO.	DESCRIPTION	QTY.
NS	15013	Engine, B&S Intek Pro 8hp	1
2	81043	Nut, 3/8-16	4
3	83018	Lockwasher, 3/8"	8
4	62980 2A	Impeller Housing	1
5	67908	Spirol Pin	1
6	62688	Slinger	1
7	62713 1A	Seal Assembly	1
8	75909	Seal Shim, .010"	AR
	75910	Seal Shim, .015"	AR
9	62408	Spacer	1
10	54067 3	Impeller.....	1
11	62927	Gasket, Large	2
12	62926 2A	Wear Plate	1
13	62928	Gasket, Small	1
14	43969	Filler Plug [includes #15]	1
15	18108	Gasket	1
16	A 09132	End Housing [includes #17 - 20]	1
17	74343 1	Suction Nipple, 3"NPT Close	1
18	54289 1	Discharge Nipple, 3"NPT x 4"	1
19	08970	Decal, Fill Pump	1
20	08971	Decal, Warning	1
21	A 43896	Drain Plug [includes #22]	1
22	59910	Gasket	1
23	09081	Decal, Safety Sign (On Engine)	1
24	30679	Stud	4
25	80097	Bolt, 3/8-16 x 1-1/2"	2
26	82630	Screw, Hex Head, 3/8-16 x 2"	2

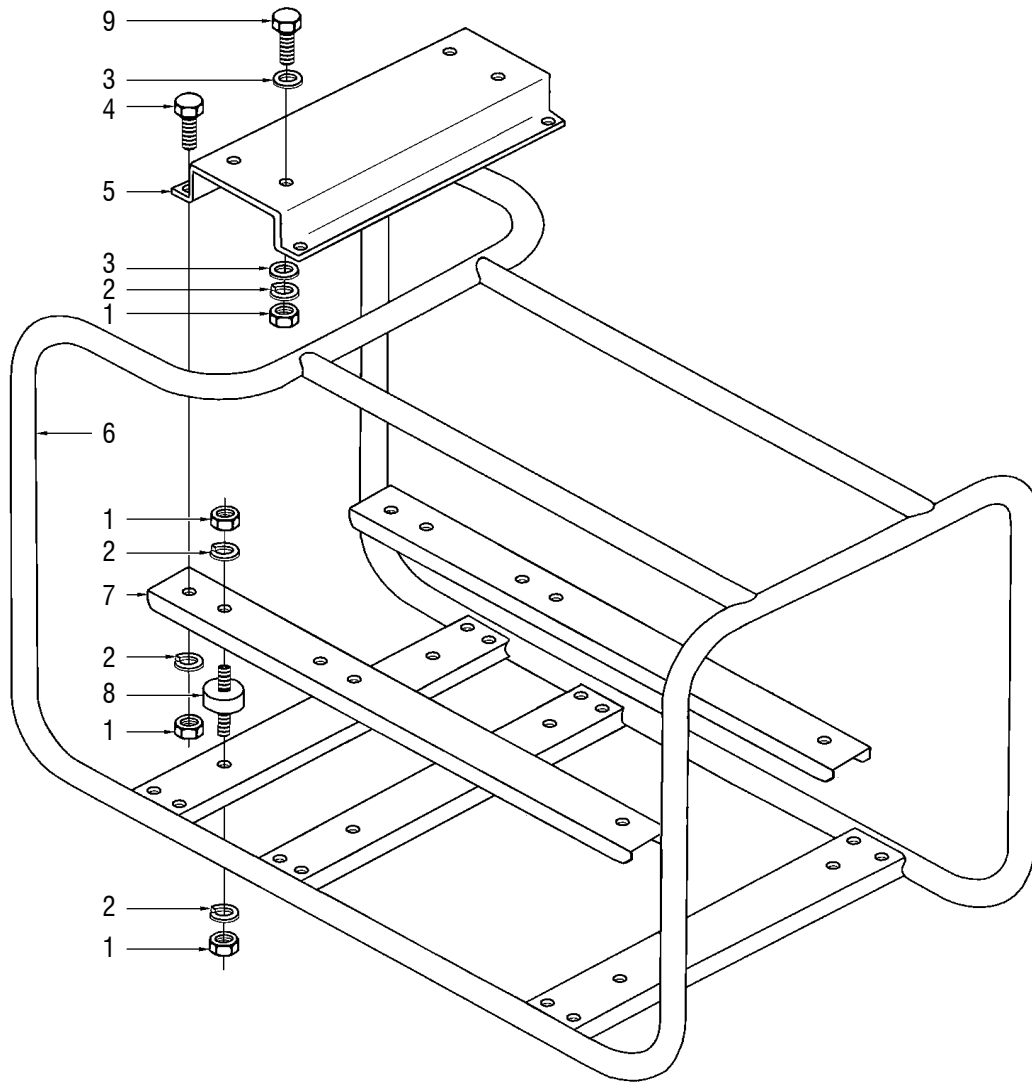
OTHER PARTS & ACCESSORIES:

PART NO.	DESCRIPTION
A 48374 B	Overhaul Seal Kit
74454 A	Suction Strainer, 3"
15037	Foot Valve, 3"
A 15061	Spanner Wrench Kit, 3"
A 15043	Dolly Kit

TORQUE SPECS

REF NO.	Inch Pounds	Newton Meters	Notes:
24, 25, 26	220-260	24.9-29.4	

S3B (L1535Z)



REF NO.	PART NO.	DESCRIPTION	QTY.
1	81162	Hex Nut, 5/16-18	20
2	83002	Lock Washer, 5/16"	20
3	84046	Flat Washer, 5/16"	8
4	80085	Hex Head Screw, 5/16-18 x 1"	4
5	42121 1A	Engine Bracket	1
6	A 07952	Roll Cage	1
7	07958	Engine Channel	2
8	49367	Vibration Isolator	6
9	80288	Hex Head Screw, 5/16-18 x 1-3/4"	4

TORQUE SPECS

REF NO.	Inch Pounds	Newton Meters	Notes:
1	130-145	14.7-16.4	
4	205-225	23.2-25.4	17-18.8 Foot Pounds
9	160-200	18.1-22.6	