

REF NO.	PART NO.	DESCRIPTION	QTY.
NS	15015	Engine, B&S Intek Pro 5½hp (TP2B) .....	1
NS	00971	Engine, Honda GX160 5½hp (TP2H) .....	1
NS	15047	Engine, Yanmar Diesel 4.7hp (TP2Y) .....	1
1	54741	Impeller Nut .....	1
2	54740	Washer .....	1
3	54739 A	Impeller Bushing .....	1
4	54738 1	Impeller Hub (TP2B/H) .....	1
	54738 2	Impeller Hub (TP2Y) .....	1
5	50516	Crankshaft Spacer (TP2B/H) .....	1
	15068	Crankshaft Spacer (TP2Y) .....	1
6	62882 A	Shim, .010" (TP2B/H) .....	AR
	62883 A	Shim, .015" (TP2B/H) .....	AR
	15067	Shim, .010" (TP2Y) .....	AR
8	54132 2	Impeller .....	1
9	54131 2A	Impeller Housing .....	1
10	62713 1A	Shaft Seal .....	1
11	80927	Screw, 5/16-24 x 2-1/4" (TP2B/TP2H) .....	4
	15066	Screw, 8mm x 2-1/4" (TP2Y) .....	4
12	A 49674	End Housing [includes #13 - 16] .....	1
13	75663 1	Nipple, 2" x 2" .....	1
14	54151 1	Nipple, 2" x 3-1/2" .....	1
15	08970	Decal - Fill Pump .....	1
16	08971	Decal - Warning .....	1

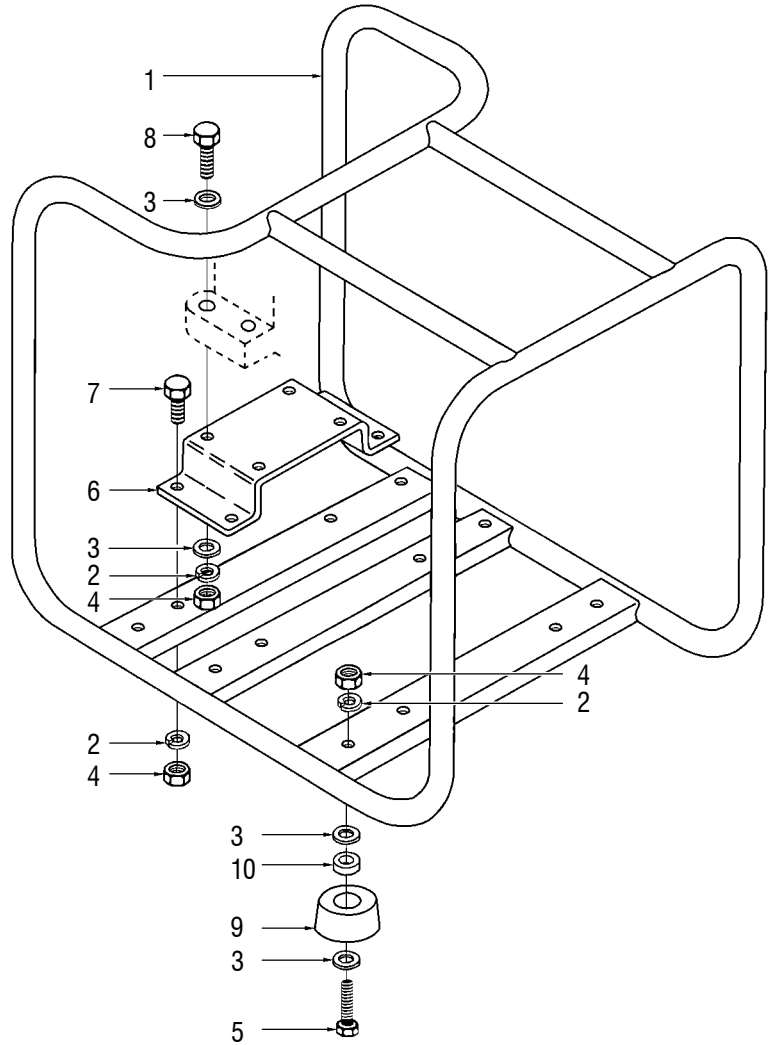
REF NO.	PART NO.	DESCRIPTION	QTY.
17	62874	Sealing Washer .....	4
18	54397	Handle Pivot .....	4
19	76885 A	Slinger .....	1
20	54660	Spring Pin .....	2
21	43969	Filler Plug [includes #22] .....	1
22	18108	Gasket .....	1
23	A 43896	Drain Plug [includes #24] .....	1
24	59910	Gasket .....	1
25	54069	Gasket, Small .....	1
26	54136 1A	Wear Plate .....	1
27	54070 A	Gasket, Large .....	2
28	50912	Sleeve, End Housing .....	1
29	54550 2A	Disconnect Handle .....	4
30	54398	Handle Stud .....	4
31	09081	Decal, Safety Sign (On Engine) .....	1

**OTHER PARTS & ACCESSORIES:**

PART NO.	DESCRIPTION
A 48376 B	Overhaul Seal Kit
54702 A	Strainer, Suction, 2"
15036	Foot Valve, 2"
L 19956	Owner's Manual
A 15060	Spanner Wrench Kit, 2"
A 15043	Dolly Kit

**TORQUE SPECS**

REF NO.	Inch Pounds	Newton Meters	Notes:
13	130-145	14.7-16.4	



REF NO.	PART NO.	DESCRIPTION	QTY.
1	A 08096	Roll Cage .....	1
2	83002	Lock Washer, 5/16" .....	12
3	84032	Flat Washer, 5/16" .....	16
4	81162	Hex Nut, 5/16-18 .....	12
5	80088	Hex Head Screw, 5/16-18 x 1-1/4" .....	4
6	08101	Engine Support (TP2B/TP2H) .....	1
	15049	Engine Support (TP2Y) .....	1
7	80083	Hex Head Screw, 5/16-18 x 3/4" .....	4
8	80087	Hex Head Cap Screw, 5/16-18 x 1-1/2" .....	4
9	48789	Rubber Foot .....	4
10	49733	Foot Spacer .....	4

**TORQUE SPECS**

REF NO.	Inch Pounds	Newton Meters	Notes:
5	130-145	14.7-16.4	
7	205-225	23.2-25.4	17-18.8 Foot Pounds
8	205-225	23.2-25.4	17-18.8 Foot Pounds