



PARTS LIST

DUSTERS/MISTERS

MD6210M

NOTE :

1. Use KOMATSU ZENOAH genuine parts specified in the parts list for repair and/or replacement.
2. KOMATSU ZENOAH does not warrant the machines, those which have been damaged by the use of any parts other than those specified by the company.
3. When placing orders of parts for repair and/or replacement, check if the model name and the serial number are suitable to those specified in the parts list, then use parts number described in the parts list.
4. The contents described in the parts list may change due to improvement.
5. The parts for the machine shall be supplied within ten (10) years after the machine is discontinued.
[It is possible that some specific parts may be subject to change of their delivery term and list price within the limit of ten (10) years after the machine is discontinued. And it is also possible that some parts may be available even after the limit of ten (10) years.]

Fig.1 ENGINE GROUP (S/N 200101 and up)

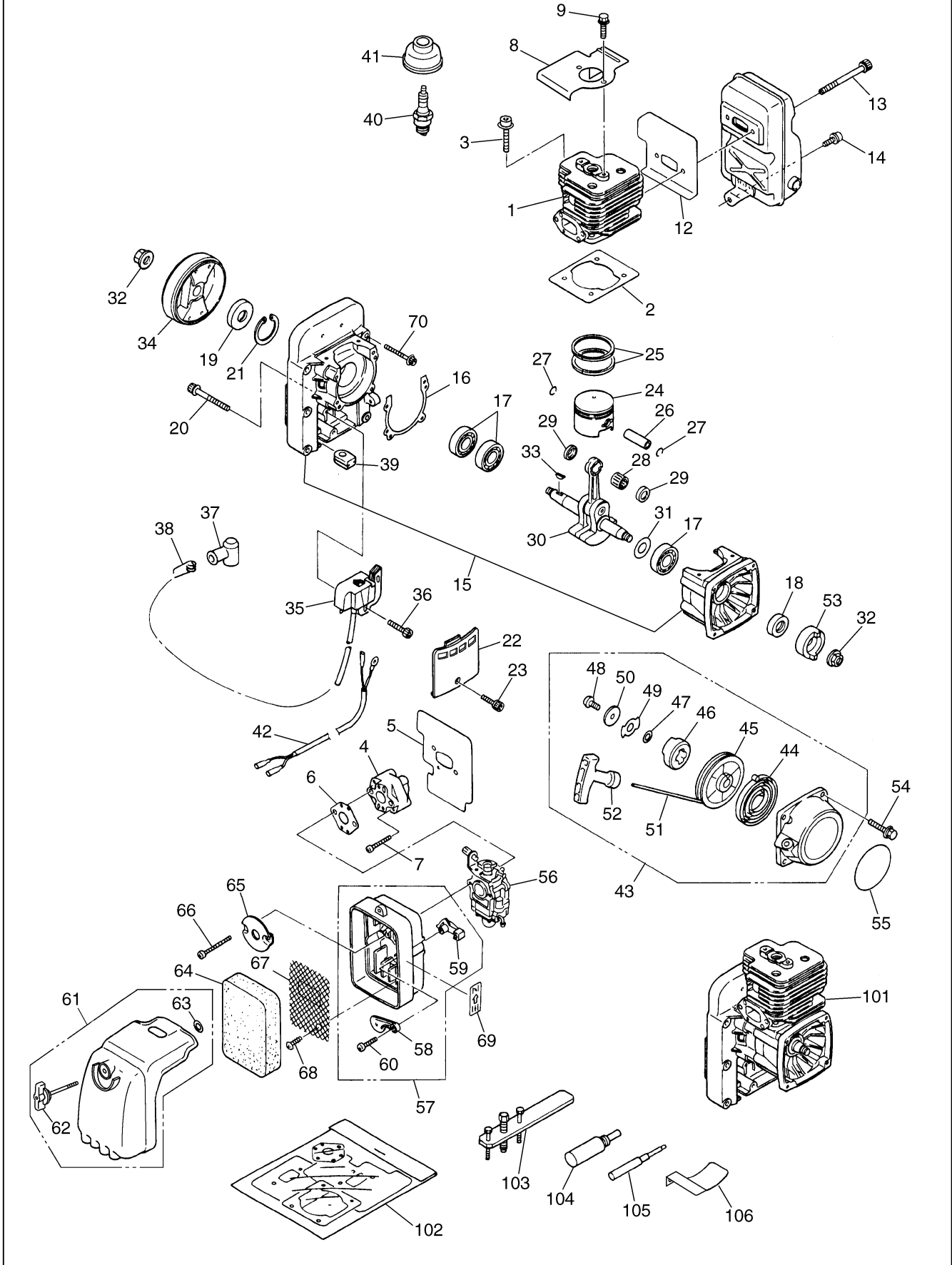


Fig.1 ENGINE GROUP (S/N 200101 and up)

Key#	PART NUMBER	DESCRIPTION	Q'TY /UNIT	NOTE	Key#	PART NUMBER	DESCRIPTION	Q'TY /UNIT	NOTE
1	2750-12110	CYLINDER	1		46	1487-75140	DOG	1	
2	2750-12210	GASKET, base	1		47	1861-75150	WASHER	1	
3	1850-12130	BOLT	4		48	1483-75270	SCREW	1	
4	1484-13161	INSULATOR	1		49	1487-75160	RETAINER	1	
5	2750-13130	GASKET	1		50	1487-75170	WASHER	1	
6	1460-13132	GASKET	1		51	1400-75160	ROPE	1	
7	1484-13170	BOLT	2		52	1400-75170	KNOB	1	
8	2750-12510	COVER	1		53	1487-75211	PULLEY	1	
9	2750-12520	BOLT	2		54	3460-75510	BOLT	4	
10	2756-15110	MUFFLER	1		55	2750-75610	LABEL	1	
12	2750-15210	GASKET	1		56	2750-81000	CARBURETOR	1	
13	2750-15160	BOLT	2		57	3407-82102	BODY ASSY	1	
14	2750-15170	BOLT	1		58	3407-82130	PLATE	1	
15	2750-21101	CRANKCASE COMP	1		59	3407-82140	LEVER	1	
16	2750-21140	GASKET	1		60	2630-33610	SCREW	1	
17	T4012-21240	BEARING	3		61	1487-82201	COVER ASSY	1	
18	T4019-21210	OIL SEAL	1		62	1487-82210	• KNOB	1	
19	1400-21220	OIL SEAL	1		63	5500-82230	• RING	1	
20	01252-30530	BOLT	4		64	1491-82311	ELEMENT	1	
21	04065-03515	SNAP RING	1		65	1484-82510	PLATE	1	
22	2750-21211	COVER	1		66	0263-90560	SCREW	2	
23	1565-72211	BOLT	1		67	1491-82352	SCREEN	1	
24	2750-41110	PISTON	1		68	1491-82360	SCREW	1	
25	3366-41210	RING	2		69	1133-82060	LABEL	1	
26	3366-41310	PISTON PIN	1		70	2750-21510	BOLT	6	
27	3350-41320	SNAP RING	2						
28	1400-41410	BEARING	1		101	2750-05013	SHORT BLOCK	OP	
29	2616-41510	WASHER	2		102	2750-06010	GASKET KIT	OP	
30	2750-42000	CRANKSHAFT COMP	1		103	2750-96100	PULLER ASSY	OP	
31	1300-42410	SHIM	0~1		104	3350-96220	STOPPER	OP	
32	1400-43230	NUT	2		105	3356-96230	GUIDE	OP	
33	1000-43240	KEY	1		106	2750-96240	GAUGE	OP	
34	2750-71111	ROTOR	1						
35	2750-71200	COIL ASSY	1						
36	3350-14150	BOLT	2						
37	1900-72112	CAP	1						
38	1900-72120	SPRING	1						
39	5500-72130	GROMMET	1						
40	5602-73110	SPARK PLUG (Champion)	1	RCJ-6Y					
41	2751-71220	CAP	1						
42	2750-73200	CORD COMP	1						
43	1487-75101	RECOIL ASSY	1						
44	1180-75221	SPRING	1						
45	1487-75120	REEL	1						

Fig.2 CARBURETOR (S/N 200101 and up)

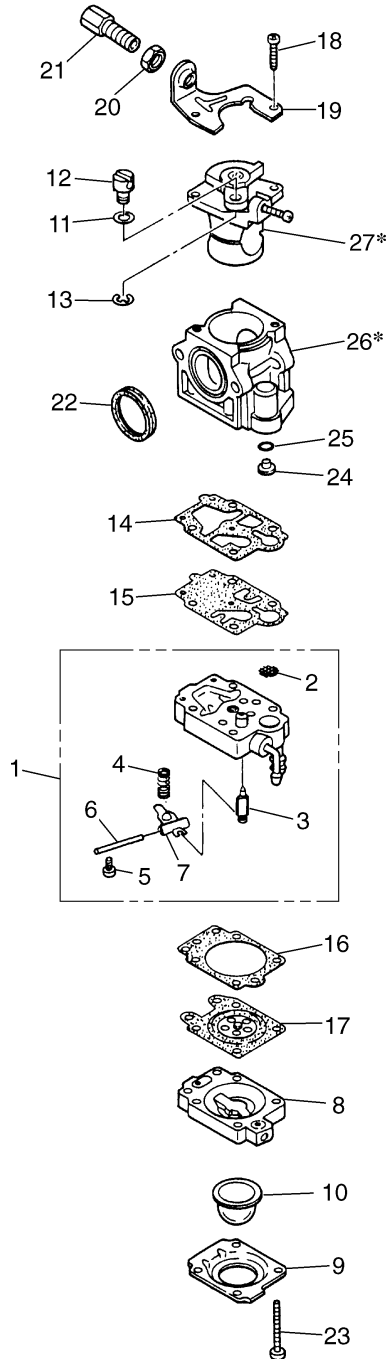


Fig.2 CARBURETOR (S/N 200101 and up)

Key#	PART NUMBER	DESCRIPTION	Q'TY /UNIT	NOTE	Key#	PART NUMBER	DESCRIPTION	Q'TY /UNIT	NOTE
	2750-81000	CARBURETOR ASSY	1						
1	1850-81450	BODY ASSY	1						
2	3306-81380	SCREEN	1						
3	3356-81310	VALVE	1						
4	1850-81270	SPRING	1						
5	1850-81220	SCREW	1						
6	3310-81250	PIN	1						
7	3310-81230	LEVER	1						
8	1850-81490	BODY	1						
9	1850-81520	COVER	1						
10	1751-81510	PUMP	1						
11	5500-81160	WASHER	1						
12	1881-81140	SWIVEL	1						
13	1751-81130	RING	1						
14	1065-81410	GASKET	1						
15	1065-81420	DIAPHRAGM	1						
16	1850-81470	GASKET	1						
17	3310-81260	DIAPHRAGM	1						
18	1752-81110	SCREW	2						
19	5500-81120	BRACKET	1						
20	1751-81180	NUT	1						
21	1918-81170	SCREW	1						
22	1881-81130	RING	1						
23	1850-81530	SCREW	4						
24	2750-81250	JET	1						
25	1751-81240	O-RING	1						
26*	-----	BODY	1						
27*	-----	VALVE ASSY	1						
<p>[NOTE]</p> <ul style="list-style-type: none"> • 26*-Body and 27*-Valve ass'y are not supplied as an individual part respectively, but supplied as a carburetor ass'y (P/NO. 2750-81000). 									

Fig.3 BLOWER GROUP (S/N 200101 and up)

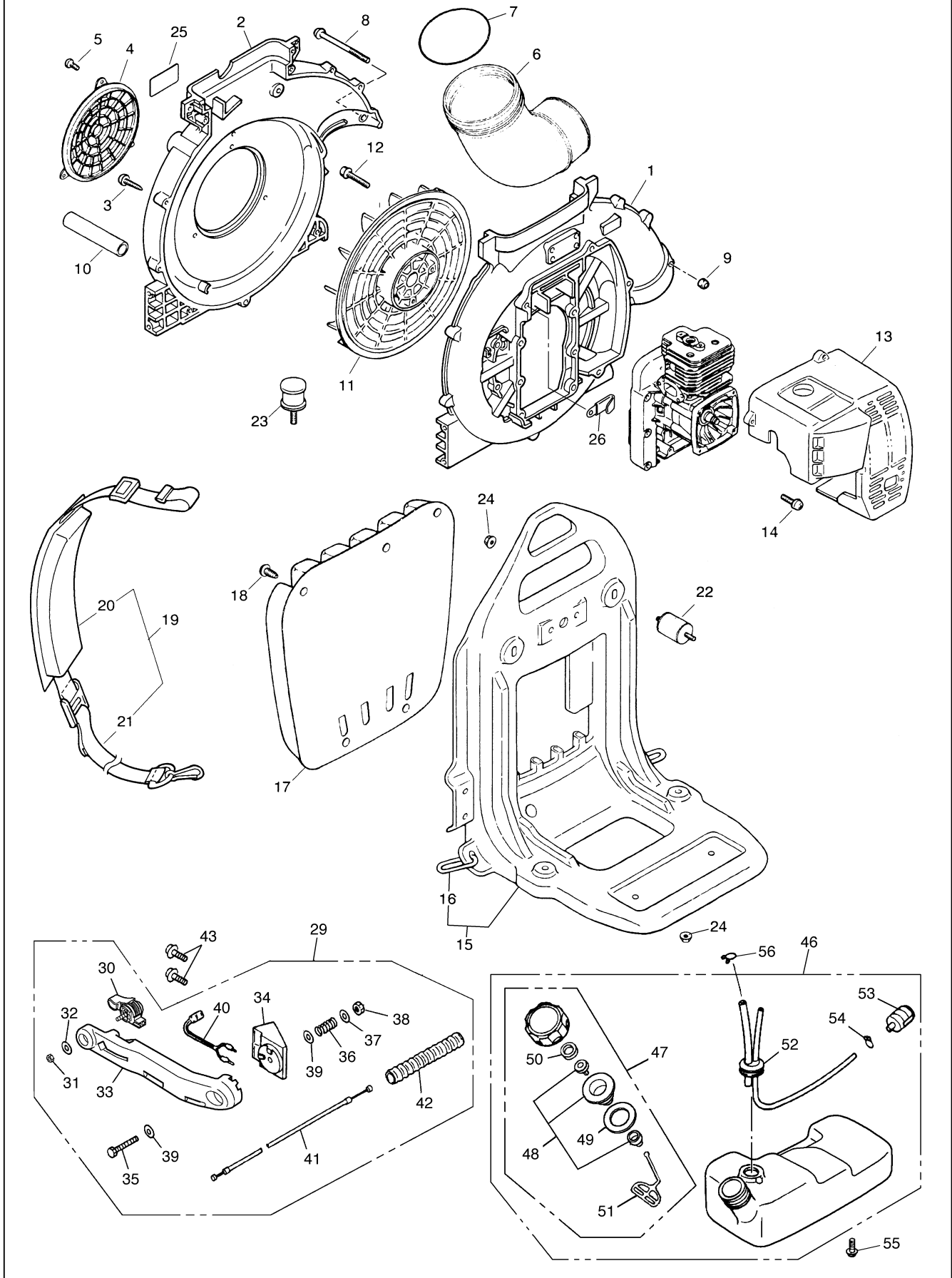


Fig.3 BLOWER GROUP (S/N 200101 and up)

Key#	PART NUMBER	DESCRIPTION	Q'TY /UNIT	NOTE	Key#	PART NUMBER	DESCRIPTION	Q'TY /UNIT	NOTE
1	2751-31111	VOLUTE CASE	1		48	4500-85300	•• HOLDER ASSY	1	
2	2751-31211	VOLUTE COVER	1		49	4500-85220	•• PACKING	1	
3	2750-31150	SCREW M5x25	11		50	5601-85260	•• FILTER	1	
4	3063-12223	GURD NET	1		51	4820-85260	•• STOPPER	1	
5	3468-25320	SCREW M5x16	3		52	2750-85300	• PIPE COMP	1	
6	3490-11150	ELBOW	1		53	3302-85400	• FILTER	1	
7	07000-02095	O-RING	1		54	1260-85460	• CLIP	1	
8	2750-31420	SCREW M5x70	2		55	3407-23610	SCREW	2	
9	3310-53311	NUT	2		56	1100-86120	CLIP	1	
10	2750-31290	TUBE	1						
11	2750-31510	FAN	1						
12	3407-12210	BOLT M5x40	4						
13	2750-31612	ENGINE COVER	1						
14	2750-31150	SCREW M5x25	4						
15	2750-32102	FRAME COMP	1						
16	3490-21121	• RING	2						
17	3460-21311	PAD	1						
18	3495-21320	CLIP	4						
19	2751-32300	BAND ASSY	2						
20	2751-32310	• BAND (A)	1						
21	2750-32320	• BAND (B)	1						
22	2751-32510	DAMPER	2						
23	2750-32610	DAMPER	2						
24	2750-32620	NUT	4						
25	3460-11830	LABEL, caution	1						
26	2750-72230	CLAMP	1						
29	T4012-25000	LEVER SET	1						
30	T4012-25100	• LEVER	1						
31	3310-53331	• NUT M5	1						
32	01642-20508	• WASHER	1						
33	T4012-25210	• ARM	1						
34	T4012-25311	• BRACKET	1						
35	3495-25410	• BOLT	1						
36	3495-25420	• SPRING	1						
37	3495-25440	• WASHER	1						
38	01584-00605	• NUT	1						
39	3495-25450	• WASHER	2						
40	T4012-25510	• SWITCH	1						
41	T4012-83110	• CABLE COMP	1						
42	T3002-12240	• TUBE	1						
43	2750-32541	BOLT	2						
46	2756-85102	TANK ASSY	1						
47	T1015-85202	• CAP ASSY	1						

Fig.4 SPRAY GROUP (S/N 200101 and up)

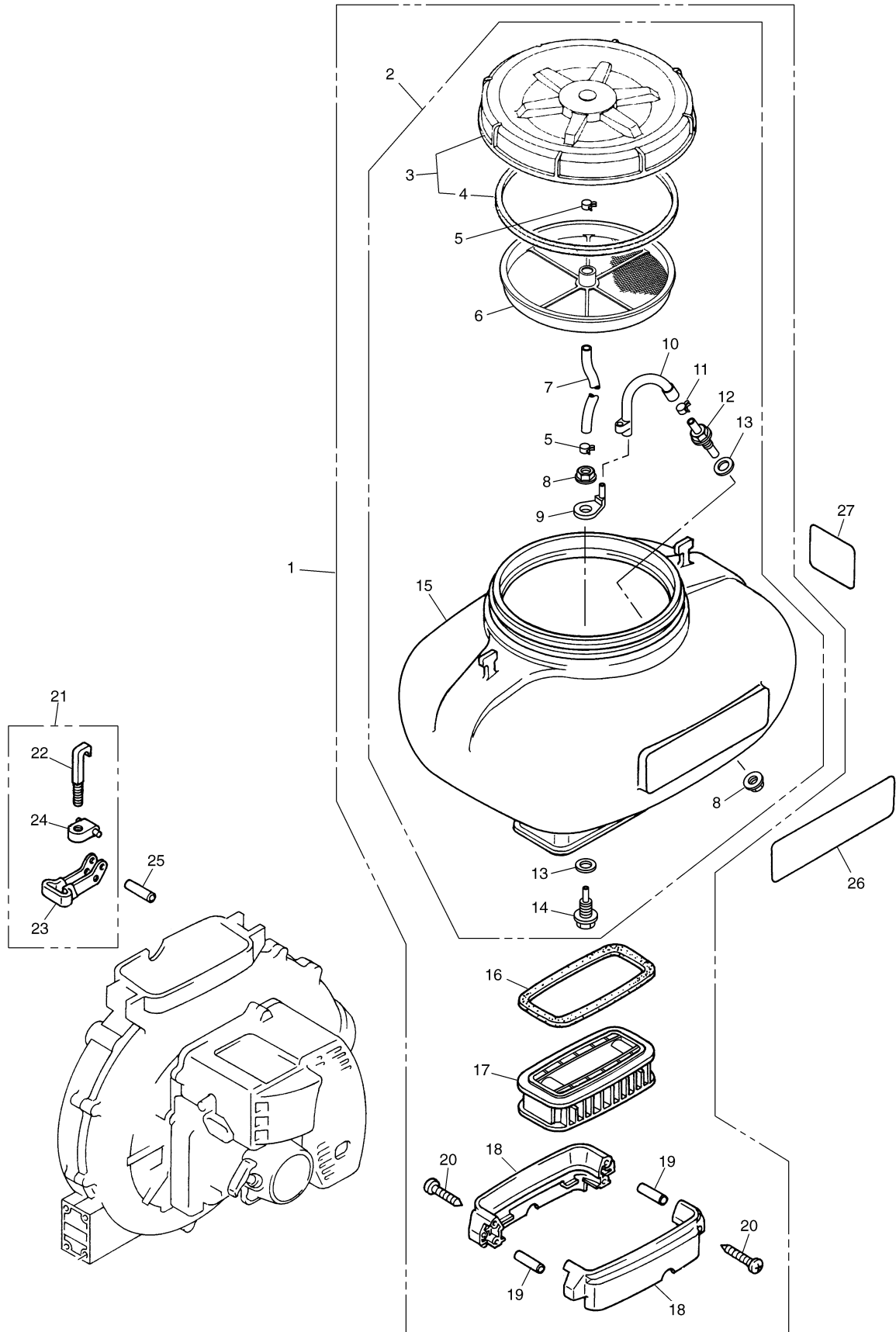


Fig.4 SPRAY GROUP (S/N 200101 and up)

Key#	PART NUMBER	DESCRIPTION	Q'TY /UNIT	NOTE	Key#	PART NUMBER	DESCRIPTION	Q'TY /UNIT	NOTE
1	T4031-35000	TANK SET	1						
2	T4031-35100	• TANK ASSY	1						
3	3460-31204	•• CAP ASSY	1						
4	3460-31223	••• GASKET	1						
5	3063-22510	•• CLIP	2						
6	3460-42910	••	1						
7	3460-42210	•• TUBE	1						
8	T4031-35320	•• NUT	1						
9	T4031-35340	•• PLATE	1						
10	3063-41540	•• TUBE	1						
11	1331-85430	•• CLIP	1						
12	T4031-35410	•• JOINT (B)	1						
13	T4031-35330	•• GASKET	1						
14	T4031-35310	•• JOINT (A)	1						
15	T4031-35110	•• TANK	1						
16	2751-33120	• GASKET	1						
17	T4031-33110	• CASE	1						
18	2751-35511	• CLAMP	2						
19	2751-35520	• PIN	2						
20	2751-35530	• SCREW	4						
21	2751-31701	HOOK ASSY	2						
22	2751-31710	• HOOK	1						
23	2751-31720	• LEVER	1						
24	2751-31730	• BRACKET	1						
25	2751-35520	PIN	2						
26	2751-35810	LABEL	1						
27	2751-35820	LABEL	1						

Fig.5 SPRAY EQUIPMENT, TOOLS (S/N 200101 and up)

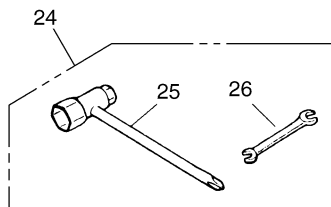
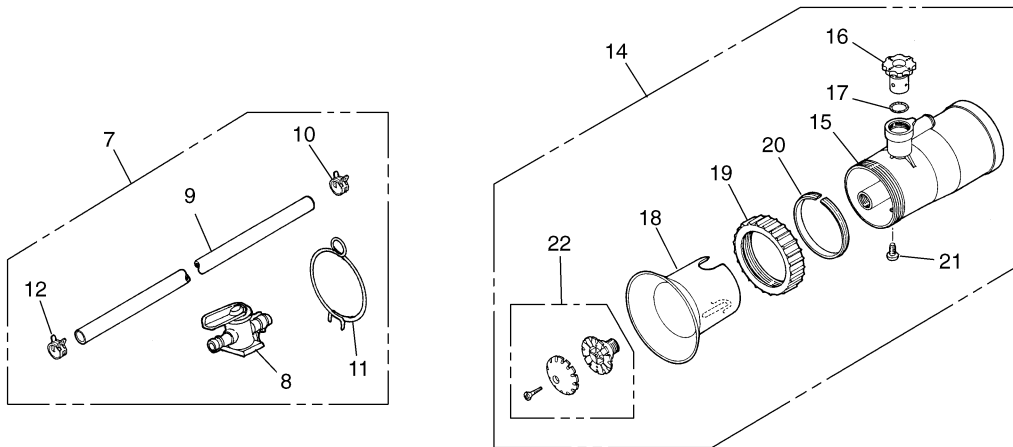
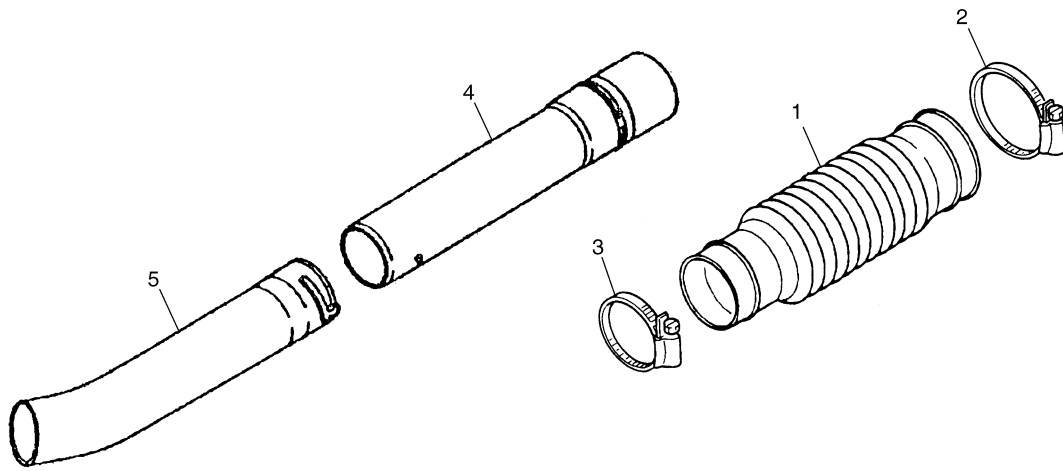


Fig.5 SPRAY EQUIPMENT, TOOLS (S/N 200101 and up)

Key#	PART NUMBER	DESCRIPTION	Q'TY /UNIT	NOTE	Key#	PART NUMBER	DESCRIPTION	Q'TY /UNIT	NOTE
1	T4017-51110	HOSE, flexible	1						
2	2756-51510	CLAMP	1						
3	2756-51520	CLAMP	1						
4	3495-51202	SWIVEL JOINT	1						
5	3495-51331	PIPE	1						
7	3070-42402	COCK ASSY	1						
8	—————	• COCK	1						
9	3010-42480	• TUBE	2						
10	1334-85430	• CLIP	2						
11	3010-42490	• CLAMP	1						
12	1334-85430	• CLIP	1						
14	3460-41200	MIST PIPE ASSY	1						
15	—————	• PIPE, mist	1						
16	3460-41220	• VALVE	1						
17	07000-02012	• O-LING	1						
18	3460-41230	• PIPE, slide	1						
19	3460-41240	• STOPPER	1						
20	3460-41250	• RING, stopper	1						
21	0261-00510	• SCREW	1						
22	3460-41300	• NOZZLE ASSY	1						
24	2751-91000	TOOL SET	1						
25	3073-91111	• PLUG WRENCH	1						
26	3540-91120	• SPANNER	1						



KOMATSU ZENOAHI CO.

1-9 Minamidai, Kawagoe, Saitama, 350-1192 Japan

PRINTED IN JAPAN

PRINTED ON RECYCLED PAPER
IMPRIMÉ SUR PAPIER RECYCLÉ
GEDRUCKT AUF RECYCLING PAPIER
STAMPATO SU CARTA RICICLATA
IMPRESO EN PAPEL RECICLADO