

# PARTS LIST

## DUSTERS/MISTERS

# MD6210

**NOTE :**

1. Use KOMATSU ZENOAH genuine parts specified in the parts list for repair and/or replacement.
2. KOMATSU ZENOAH does not warrant the machines, those which have been damaged by the use of any parts other than those specified by the company.
3. When placing orders of parts for repair and/or replacement, check if the model name and the serial number are suitable to those specified in the parts list, then use parts number described in the parts list.
4. The contents described in the parts list may change due to improvement.
5. The parts for the machine shall be supplied within ten (10) years after the machine is discontinued.  
[It is possible that some specific parts may be subject to change of their delivery term and list price within the limit of ten (10) years after the machine is discontinued. And it is also possible that some parts may be available even after the limit of ten (10) years.]

Fig.1 ENGINE GROUP (S/N 200101 and up)

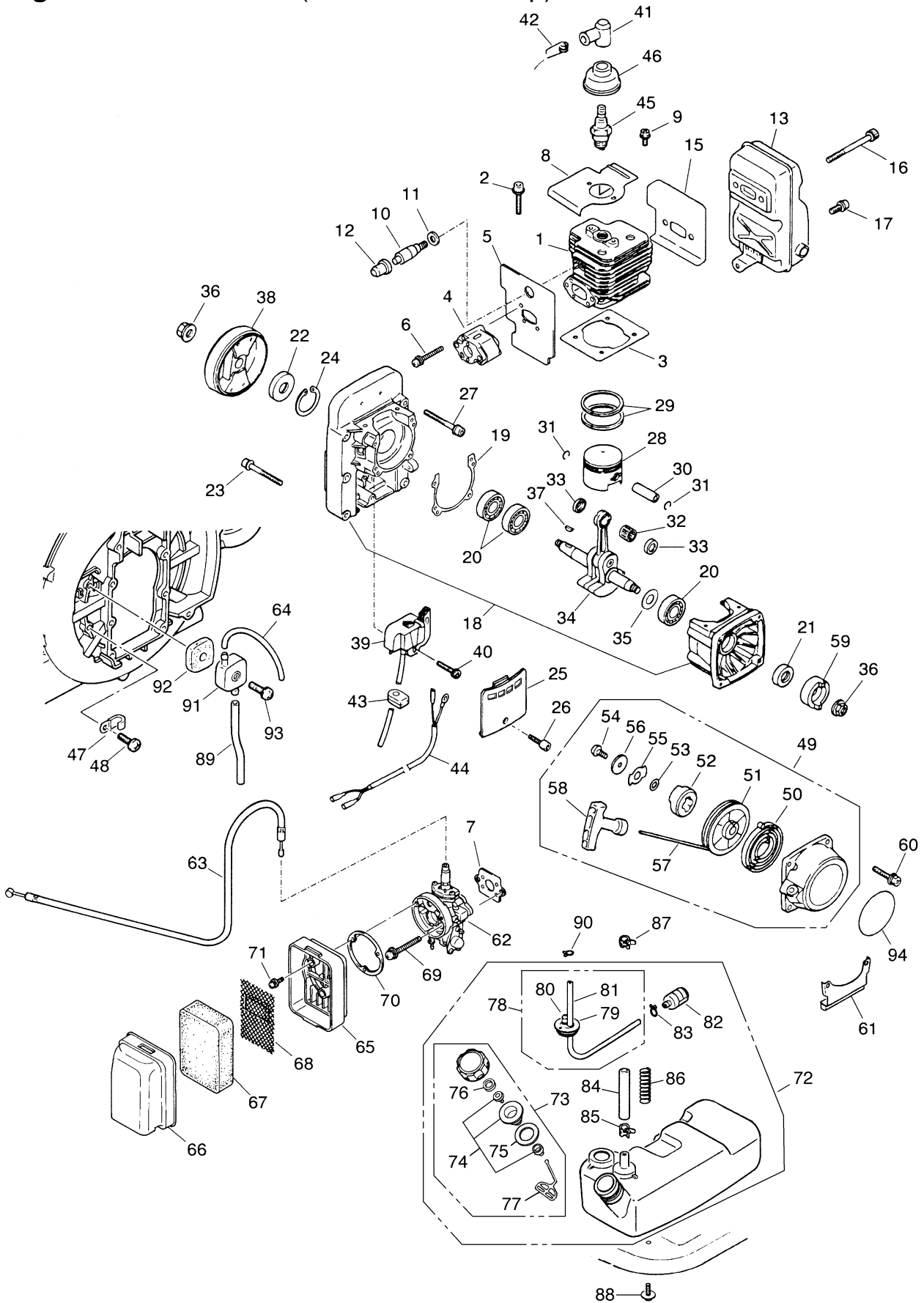
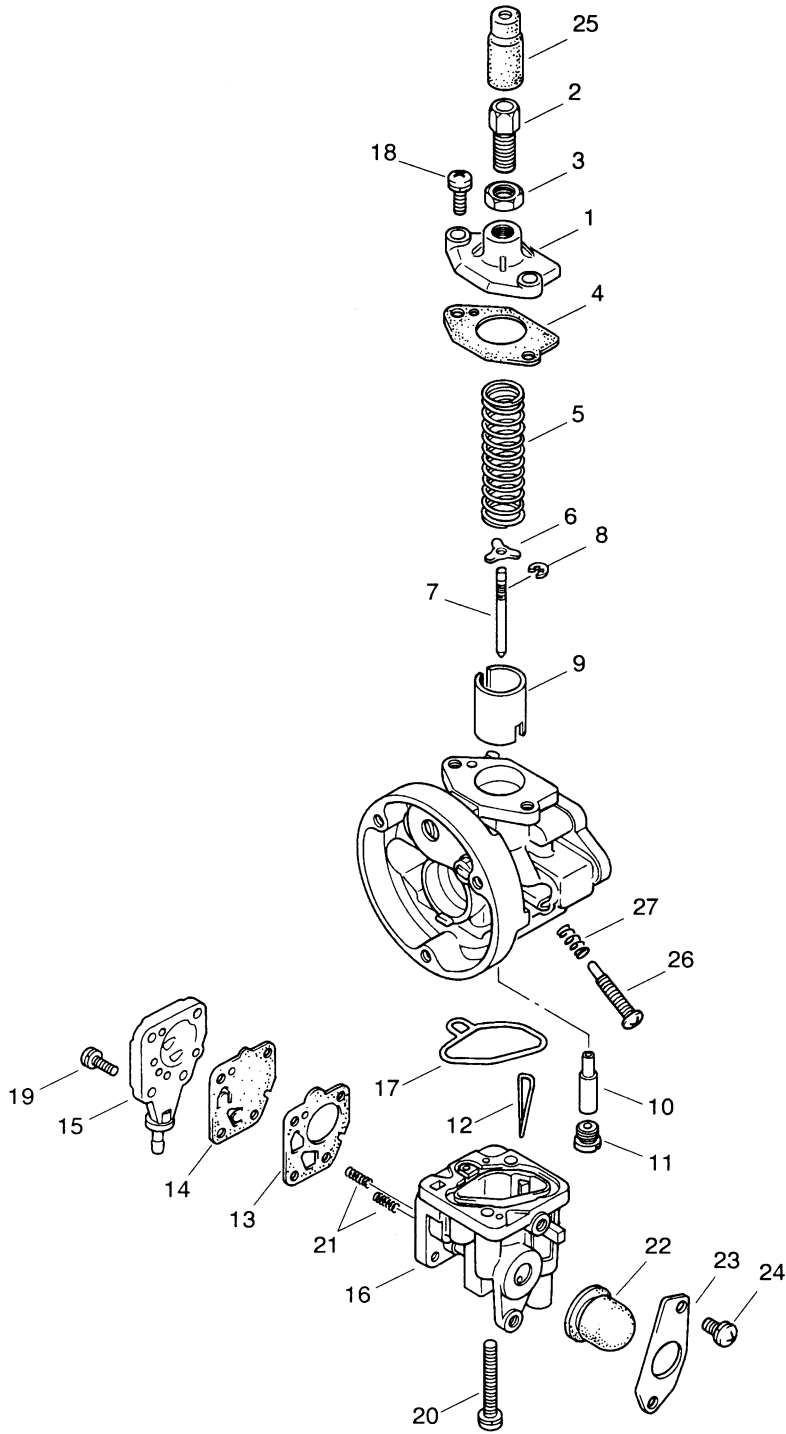


Fig.1 ENGINE GROUP (S/N 200101 and up)

Key#	PART NUMBER	DESCRIPTION	Q'TY /UNIT	NOTE	Key#	PART NUMBER	DESCRIPTION	Q'TY /UNIT	NOTE
1	2751-12110	CYLINDER	1		49	1487-75101	RECOIL ASSY	1	
2	2750-12130	BOLT M5x22	4		50	1180-75221	• SPRING	1	
3	2750-12210	GASKET	1		51	1487-75120	• REEL	1	
4	2751-13160	INSULATER	1		52	1487-75140	• DOG	1	
5	2751-13120	GASKET	1		53	1861-75150	• WASHER	1	
6	0263-90545	SCREW M5x45	2		54	1483-75270	• SCREW	1	
7	2751-13130	GASKET	1		55	1487-75160	• RETAINER	1	
8	2750-12510	CYLINDER COVER	1		56	1487-75170	• WASHER	1	
9	2750-12520	BOLT M5x10	2		57	1400-75160	• ROPE	1	
10	2304-14001	DECOMP, ASSY	1		58	1400-75170	• KNOB	1	
11	1980-14610	WASHER	1		59	1487-75211	• PULLEY	1	
12	2751-14511	COVER	1		60	3460-75510	BOLT M5x20	4	
13	2756-15110	MUFFLER ASSY	1		61	2751-86210	SUPPORT	1	
15	2750-15210	GASKET	1		62	2751-81000	CARBURETOR ASSY	1	
16	2750-15160	BOLT M6x70	2		63	2751-83101	CABLE COMP	1	
17	2750-15170	BOLT M6x12	1		64	1900-85410	TUBE	1	
18	2750-21101	CRANKCASE COMP	1		65	2751-82110	BODY	1	
19	2750-21140	GASKET	1		66	2751-82120	COVER	1	
20	T4012-21240	BEARING	3		67	1491-82311	ELEMENT	1	
21	T4019-21210	OIL SEAL	1		68	1491-82352	SCREEN	1	
22	1400-21220	OIL SEAL	1		69	0263-90650	SCREW M6x50	2	
23	01252-30530	BOLT M5x30	4		70	2751-82410	GASKET	1	
24	04065-03515	SNAP RING	1		71	2751-82130	SCREW M4x14	3	
25	2750-21211	COVER	1		72	2751-85103	TANK ASSY	1	
26	1565-72211	BOLT M4x16	1		73	T1015-85202	• CAP ASSY	1	
27	2750-21510	BOLT M6x40	6		74	4500-85300	•• HOLDER ASSY	1	
28	2750-41110	PISTON	1		75	4500-85220	•• PACKING	1	
29	3366-41210	RING	2		76	5601-85260	•• FILTER	1	
30	3366-41310	PIN	1		77	4820-85260	•• STOPPER	1	
31	3350-41320	SNAP RING	2		78	2751-85300	• PIPE COMP	1	
32	1400-41410	BEARING	1		79	5500-85310	•• GROMMET	1	
33	2616-41510	WASHER	2		80	2751-85320	•• JOINT	1	
34	2750-42000	CRANKSHAFT COMP	1		81	1764-85410	•• PIPE	1	
35	1300-42410	SHIM	1		82	3302-85400	• FILTER ASSY	1	
36	1400-43230	NUT	2		83	1260-85460	• CLIP	1	
37	1000-43240	KEY	1		84	1000-08075	• TUBE	1	
38	2750-71111	ROTOR	1		85	1410-86130	• CLIP	1	
39	2750-71200	COIL ASSY	1		86	2751-85710	• SPRING	1	
40	2750-72150	BOLT	2		87	1410-86130	CLIP	1	
41	1900-72112	PLUG CAP	1		88	3490-23612	SCREW M5x12	2	
42	1900-72120	SPRING	1		89	1000-05095	TUBE	1	
43	5500-72130	GROMMET	1		90	1100-86120	CLIP	1	
44	2750-73200	CORD COMP	1		91	2751-85410	CASE	1	
45	3699-90419-10	SPARK PLUG (Champion)	1	RCJ-6Y	92	2751-85420	ELEMENT	1	
46	2751-71220	CAP	1		93	2751-31150	SCREW M5x25	1	
47	1140-72231	CLAMP	1		94	2751-75610	LABEL RECOIL	1	
48	3405-16121	SCREW M4x14	1						

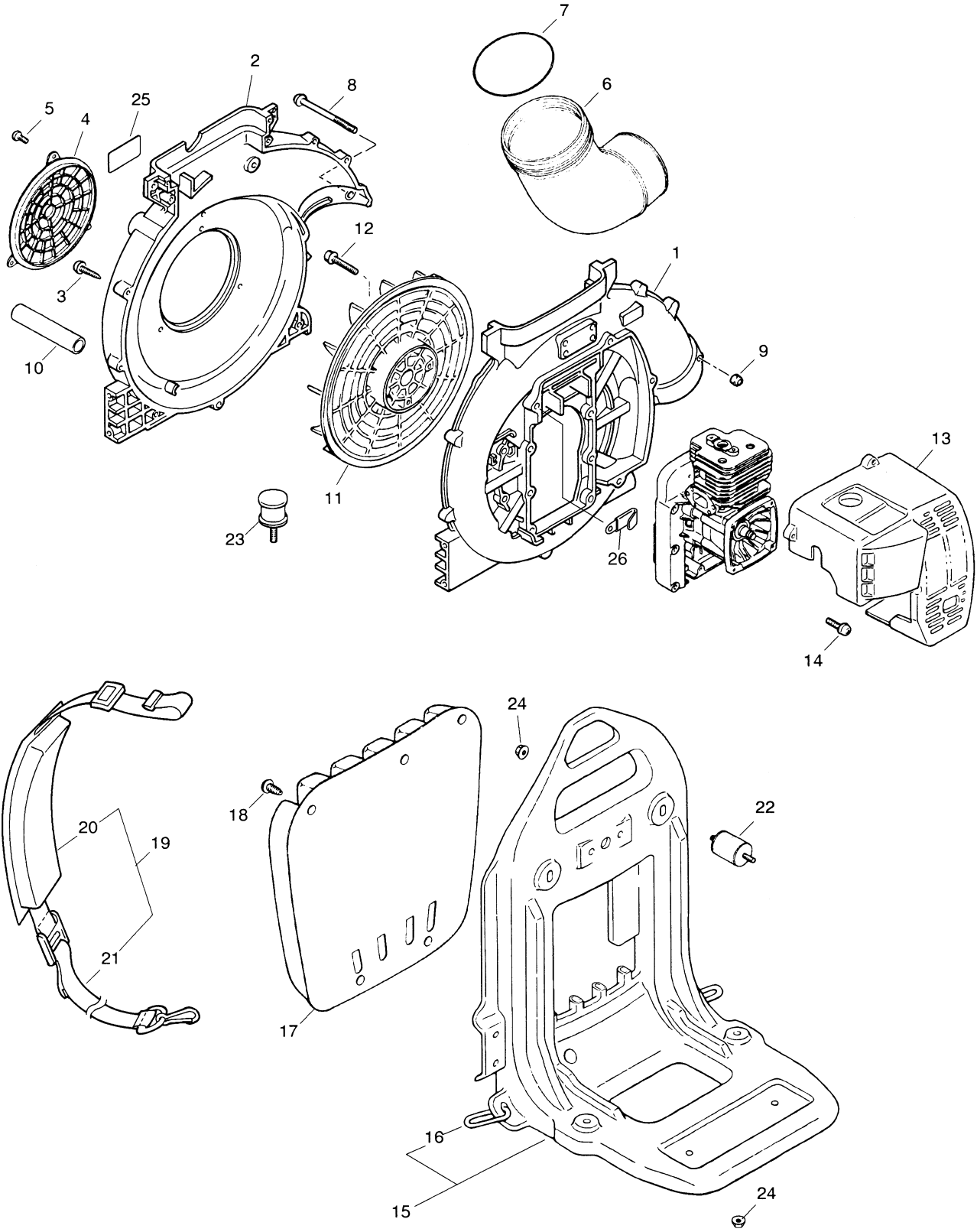
Fig.2 CARBURETOR (S/N 200101 and up)



**Fig.2 CARBURETOR (S/N 200101 and up)**

Key#	PART NUMBER	DESCRIPTION	Q'TY /UNIT	NOTE	Key#	PART NUMBER	DESCRIPTION	Q'TY /UNIT	NOTE
	2751-81000	CARBURETOR ASSY	1	K15PG-5A					
1	2751-81120	• BODY TOP	1						
2	2751-81030	• ADJUSTER, cable	1						
3	2751-81260	• LOCK NUT	1						
4	2751-81140	• GASKET, body top	1						
5	2751-81060	• SPRING, throttle	1						
6	2751-81070	• RECEIVE throttle spring	1						
7	2751-81230	• JET NEEDLE	1	#A175-3/5					
8	1101-81190	• CLIP, needle	1						
9	2751-81150	• VALVE THROTTLE	1						
10	2751-81210	• NEEDLE JET	1	ø2.08					
11	2751-81240	• MAIN JET	1	#80					
12	2751-81650	• WIRE, DRAIN	1						
13	1420-81730	• PACKING, pump	1						
14	2174-81810	• DIAPHRAGM, pump	1						
15	2174-81820	• COVER, pump	1						
16	2751-81310	• CHAMBER	1						
17	2751-81320	• PACKING, chamber	1						
18	0263-10412	• SCREW M4x12	2						
19	0260-10310	• SCREW M3x10	4						
20	0263-10430	• SCREW M4x30	2						
21	2751-81890	• SPRING	2						
22	2174-81830	• PUMP, priming	1						
23	2751-81840	• PLATE, cap	1						
24	2174-81850	• SCREW M4	2						
25	3422-81130	• CAP	1						
26	2751-81250	• SCREW, slow stop	1						
27	1030-81000-31	• SPRING	1						

Fig.3 BLOWER GROUP (S/N 200101 and up)



**Fig.3 BLOWER GROUP (S/N 200101 and up)**

Key#	PART NUMBER	DESCRIPTION	Q'TY /UNIT	NOTE	Key#	PART NUMBER	DESCRIPTION	Q'TY /UNIT	NOTE
1	2751-31111	VOLUTE CASE	1						
2	2751-31211	VOLUTE COVER	1						
3	2751-31150	SCREW M5x25	11						
4	3063-12223	GURD NET	1						
5	3468-25320	SCREW M5x16	3						
6	2751-31410	ELBOW	1						
7	07000-02095	O-RING	1						
8	2751-31420	SCREW M5x70	2						
9	3468-11180	NUT	2						
10	2750-31290	TUBE	1						
11	2750-31510	FAN	1						
12	3407-12210	BOLT M5x40	4						
13	2750-31612	ENGINE COVER	1						
14	2750-31150	SCREW M5x25	4						
15	2750-32102	FRAME COMP	1						
16	3490-21121	• RING	2						
17	3460-21311	PAD	1						
18	3495-21320	CLIP	4						
19	2751-32300	BAND ASSY	2						
20	2751-32310	• BAND (A)	1						
21	2750-32320	• BAND (B)	1						
22	2751-32510	DAMPER	2						
23	2751-32610	DAMPER	2						
24	2751-32620	NUT	4						
25	3460-11830	LABEL, caution	1						
26	2750-72230	CLAMP	1						

Fig.4 SPRAY GROUP (S/N 200101 and up)

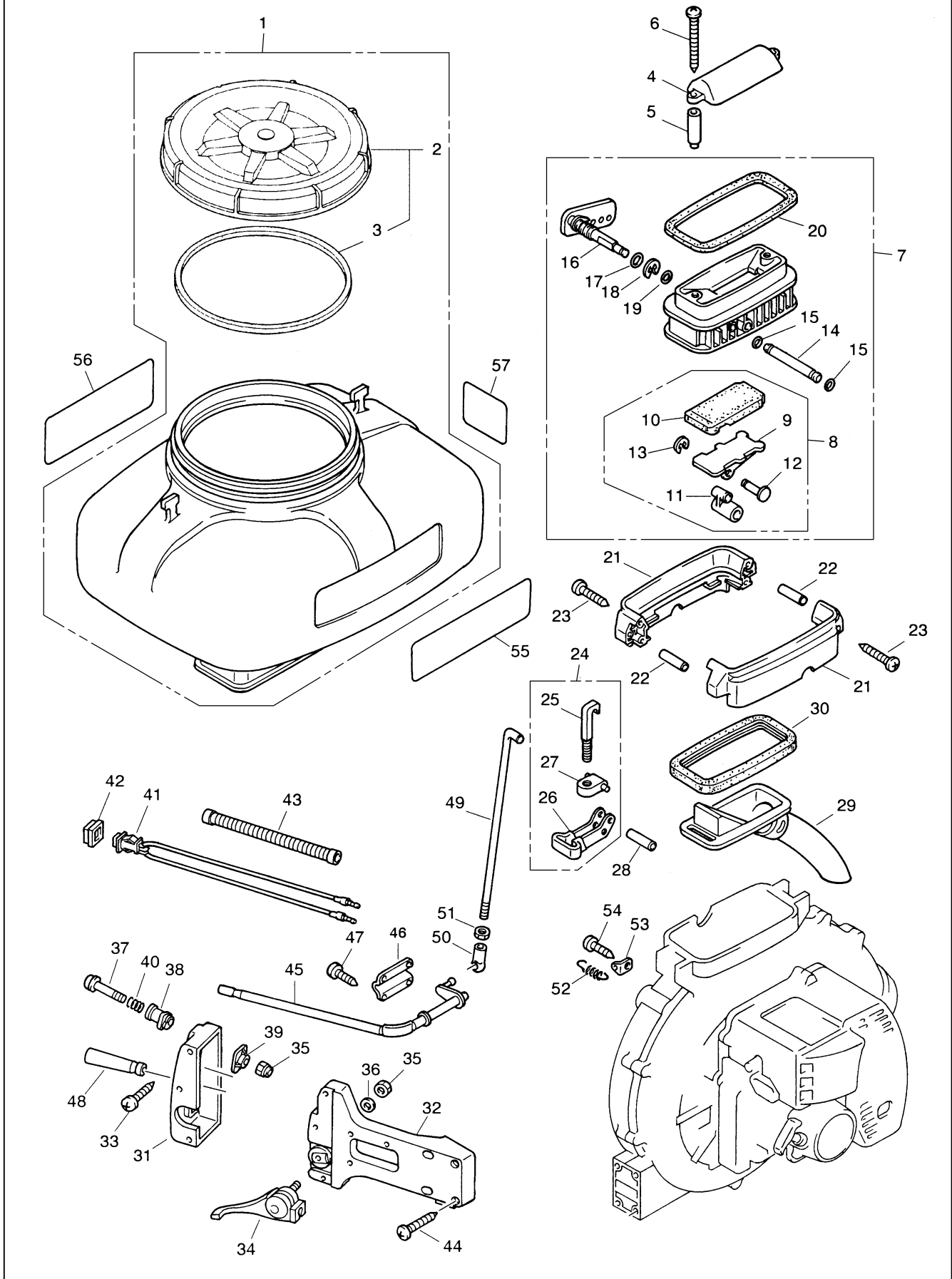
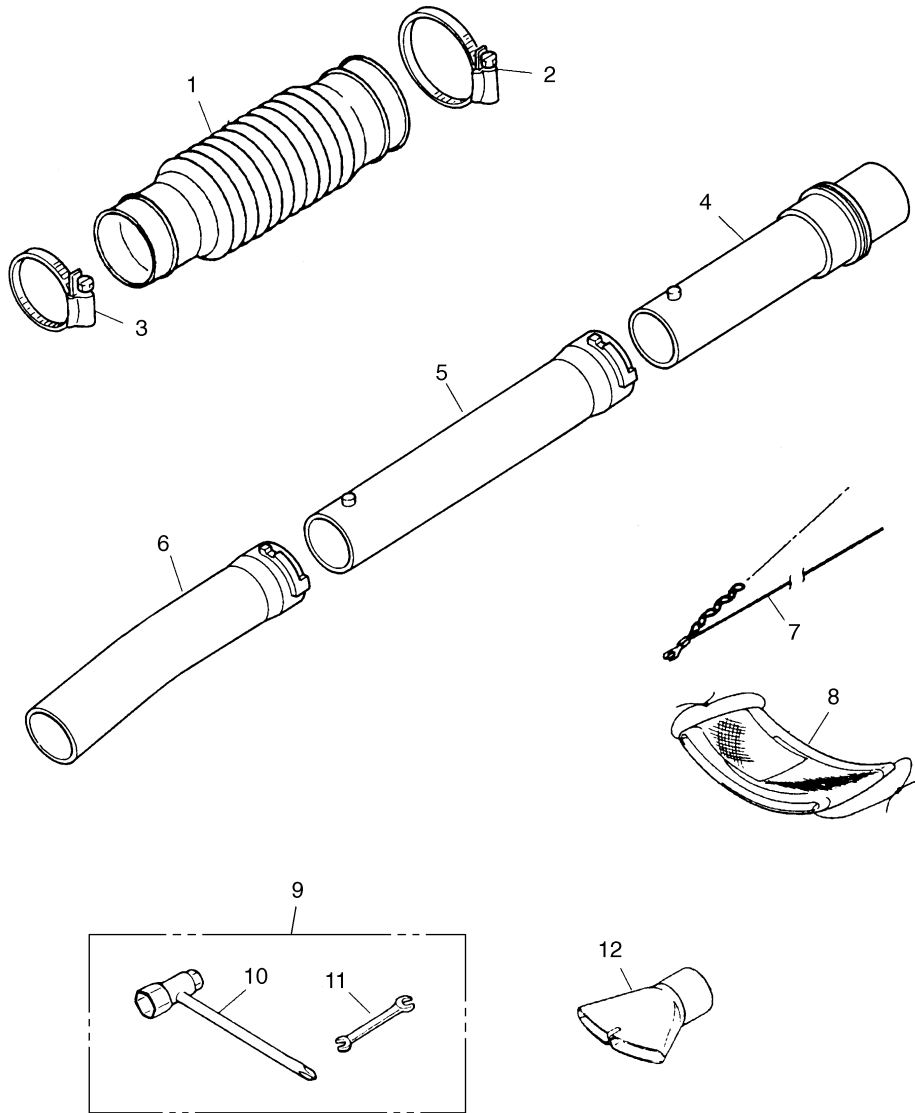




Fig.4 SPRAY GROUP (S/N 200101 and up)

Key#	PART NUMBER	DESCRIPTION	Q'TY /UNIT	NOTE	Key#	PART NUMBER	DESCRIPTION	Q'TY /UNIT	NOTE
1	2751-35101	TANK ASSY	1		46	2751-34350	PLATE	1	
2	3460-31204	• CAP ASSY	1		47	3468-25320	SCREW TP5x16	4	
3	3460-31223	•• GASKET	1		48	2751-34410	KNOB	1	
4	2751-33410	PLATE	1		49	2751-34511	ROD	1	
5	2751-33420	COLLAR	2		50	3063-21721	BALL JOINT	1	
6	2751-33430	SCREW TP5x60	2		51	0280-70504	NUT	1	
7	2751-33101	CASE ASSY	1		52	2751-34520	SPRING	1	
8	2751-33201	• SHUTTER ASSY	1		53	2751-34530	PLATE	1	
9	2751-33211	•• SHUTTER	1		54	2751-34540	SCREW M5x10	1	
10	2751-33220	•• COVER	1		55	2751-35810	LABEL, brand	1	
11	2751-33230	•• ARM	1		56	2751-35820	LABEL, caution	1	
12	3460-13340	•• PIN	1		57	3460-11840	LABEL, warning	1	
13	3422-61150	•• SNAP RING	1						
14	2751-33260	•• PIN	1						
15	07000-11004	• O-RING	2						
16	2751-33311	• SHAFT	1						
17	07000-12010	• O-RING	1						
18	3460-13430	• SNAP RING	1						
19	07000-11007	• O-RING	1						
20	2751-33120	• GASKET	1						
21	2751-35511	CLAMP	2						
22	2751-35520	PIN	2						
23	2751-35530	SCREW TP5x35	4						
24	2751-31701	HOOK ASSY	2						
25	2751-31710	• HOOK	1						
26	2751-31720	• LEVER	1						
27	2751-31731	• BRACKET	1						
28	2751-35520	PIN	2						
29	2751-33502	GUIDE PIPE	1						
30	2751-33530	• GASKET	1						
31	2751-34111	INDICATOR	1						
32	2751-34120	BRACKET	1						
33	3468-25320	SCREW TP5x16	3						
34	3495-25110	LEVER, throttle	1						
35	3468-11180	NUT	2						
36	01642-20508	WASHER	1						
37	2751-34210	SCREW	1						
38	2751-34220	HOLDER	1						
39	2751-34230	PLATE	1						
40	2751-34240	SPRING	1						
41	3495-25510	SWITCH	1						
42	1601-72411	CAP	1						
43	3495-25810	TUBE	1						
44	2751-35530	SCREW TP5x35	4						
45	2751-34311	LEVER	1						

Fig.5 SPRAY EQUIPMENT, TOOLS (S/N 200101 and up)



**Fig.5 SPRAY EQUIPMENT, TOOLS (S/N 200101 and up)**

Key#	PART NUMBER	DESCRIPTION	Q'TY /UNIT	NOTE	Key#	PART NUMBER	DESCRIPTION	Q'TY /UNIT	NOTE
1	3490-51110	HOSE, flexible	1						
2	2751-51510	CLAMP	1						
3	2751-51520	CLAMP	1						
4	3495-51202	SWIVEL JOINT	1						
5	3495-51321	PIPE, extension	2						
6	3495-51331	PIPE	1						
7	3073-91211	CHAIN	1						
8	3073-91410	MASK	1						
9	2751-91000	TOOL SET	1						
10	3073-91111	• PLUG WRENCH	1						
11	3540-91120	• SPANNER	1						
12	3020-61110	OUTLET, flat	1	OPTION					



# **KOMATSU ZENOAHI CO.**

1-9 Minamidai, Kawagoe, Saitama, 350-1192 Japan

---