



PARTS LIST

Strato-Charged BACKPACK BLOWER

EBZ4800

NOTE :

1. Use KOMATSU ZENOAH genuine parts specified in the parts list for repair and/or replacement.
2. KOMATSU ZENOAH does not warrant the machines, those which have been damaged by the use of any parts other than those specified by the company.
3. When placing orders of parts for repair and/or replacement, check if the model name and the serial number are suitable to those specified in the parts list, then use parts number described in the parts list.
4. The contents described in the parts list may change due to improvement.
5. The parts for the machine shall be supplied within ten (10) years after the machine is discontinued.
[It is possible that some specific parts may be subject to change of their delivery term and list price within the limit of ten (10) years after the machine is discontinued. And it is also possible that some parts may be available even after the limit of ten (10) years.]

Fig.1 BLOWER GROUP (S/N 301604 and up)

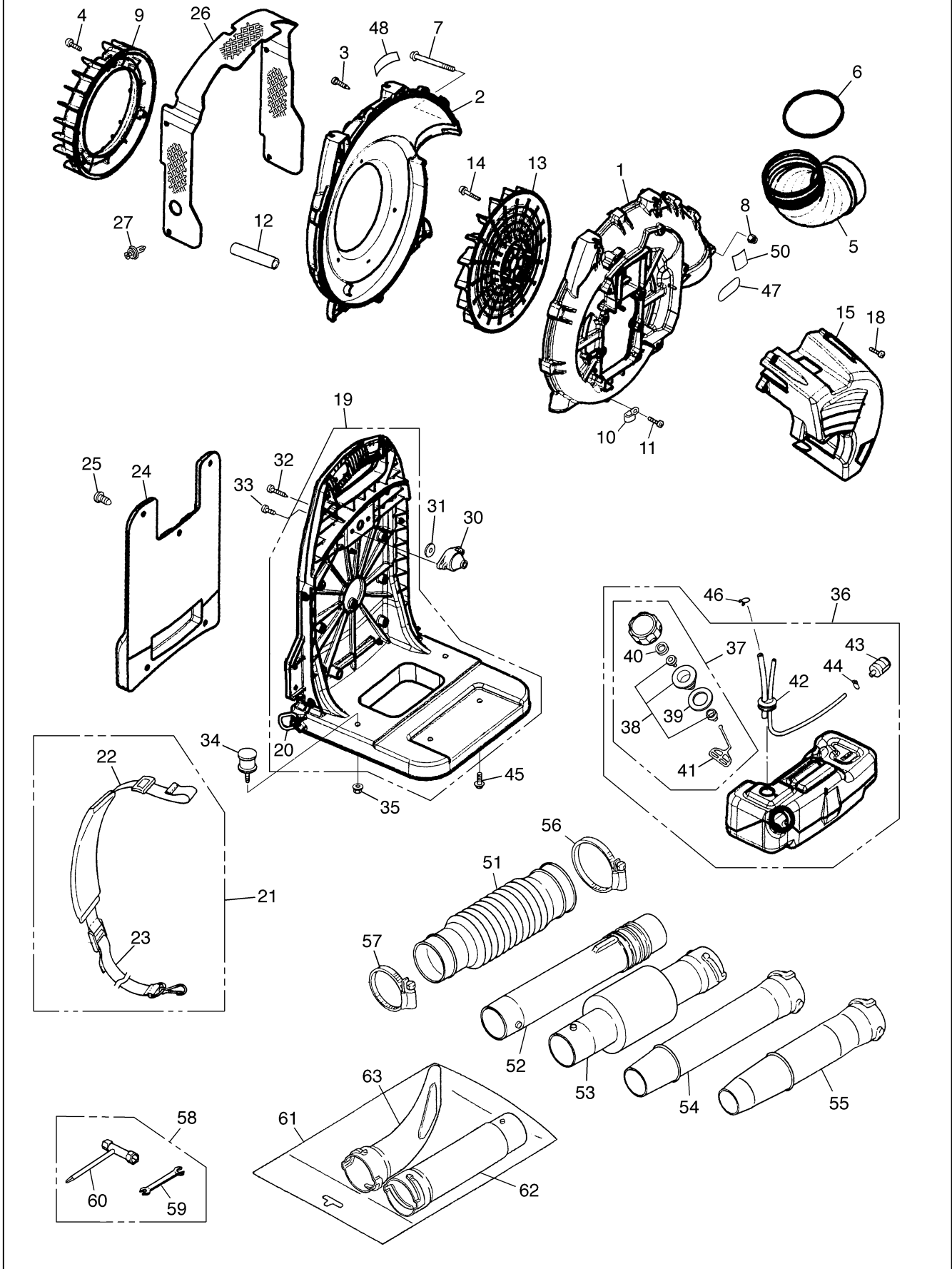


Fig.1 BLOWER GROUP (S/N 301604 and up)

Key#	PART NUMBER	DESCRIPTION	Q'TY /UNIT	NOTE	Key#	PART NUMBER	DESCRIPTION	Q'TY /UNIT	NOTE
1	T4017-31110	VOLUTE CASE	1		55	2756-51220	PIPE, END	1	
2	848L3655B0	VOLUTE COVER	1		56	2756-51510	CLAMP	1	
3	T4970-52510	SCREW	10		57	2756-51520	CLAMP	1	
4	T4970-52510	SCREW	3		58	T4017-91000	TOOL SET	1	
5	3490-11150	ELBOW	1		59	3540-91120	• SPANNER	1	
6	07000-02095	O-RING	1		60	T4017-91130	• SOCKET	1	
7	T4960-57030	SCREW	2		61	6811-51200	FLAT NOZZLE SET	1	*Acc
8	3310-53331	NUT	2		62	6811-51211	PIPE	1	*Acc
9	T4017-31310	FUNNEL	1		63	6811-51230	FLAT NOZZLE	1	*Acc
10	8488K40010	CLAMP	1						
11	T4970-51410	SCREW	1						
12	2750-31290	TUBE	1						
13	T4017-31510	FAN	1						
14	T4950-63031	BOLT	4						
15	T4017-31610	ENGINE COVER ASSY	1						
18	T4970-52510	SCREW	5						
19	T4017-32100	FLAME COMP.	1						
20	3490-21121	• RING	2						
21	2756-32300	BAND ASSY	2						
22	2756-32310	• BAND (A)	2						
23	T4017-32320	• BAND (B)	2						
24	T4017-21310	PAD	1						
25	3495-21320	CLIP	5						
26	T4017-32500	NET COMP.	1						
27	1480-74710	CLIP	4						
30	2750-32510	DAMPER, UPPER	1						
31	2750-32520	WASHER	1						
32	T4972-54010	SCREW	1						
33	T4960-51631	SCREW	2						
34	2750-32610	DAMPER, LOWER	2						
35	2750-32620	NUT	2						
36	T4017-85100	TANK ASSY	1						
37	T1015-85202	• CAP ASSY	1						
38	4500-85300	•• HOLDER ASSY	1						
39	4500-85220	•• PACKING	1						
40	5601-85260	•• FILTER	1						
41	4820-85260	•• STOPPER	1						
42	2750-85300	• PIPE COMP.	1						
43	3302-85400	• FILTER	1						
44	1260-85460	• CLIP	1						
45	T4960-51231	SCREW	2						
46	1950-86120	CLIP	1						
47	3436-91170	LABEL, CAUTION	1						
48	T4012-32610	LABEL, NET	1						
50	T2990-21040	LABEL	1						
51	T4017-51110	HOSE	1						
52	2750-51201	SWIVEL JOINT	1						
53	T4017-51300	PIPE, SILENCER	1						
54	6811-51220	PIPE, END	1						

*Acc: Accessory, which is not included in standard package.

Fig.2 ENGINE GROUP (S/N 301604 and up)

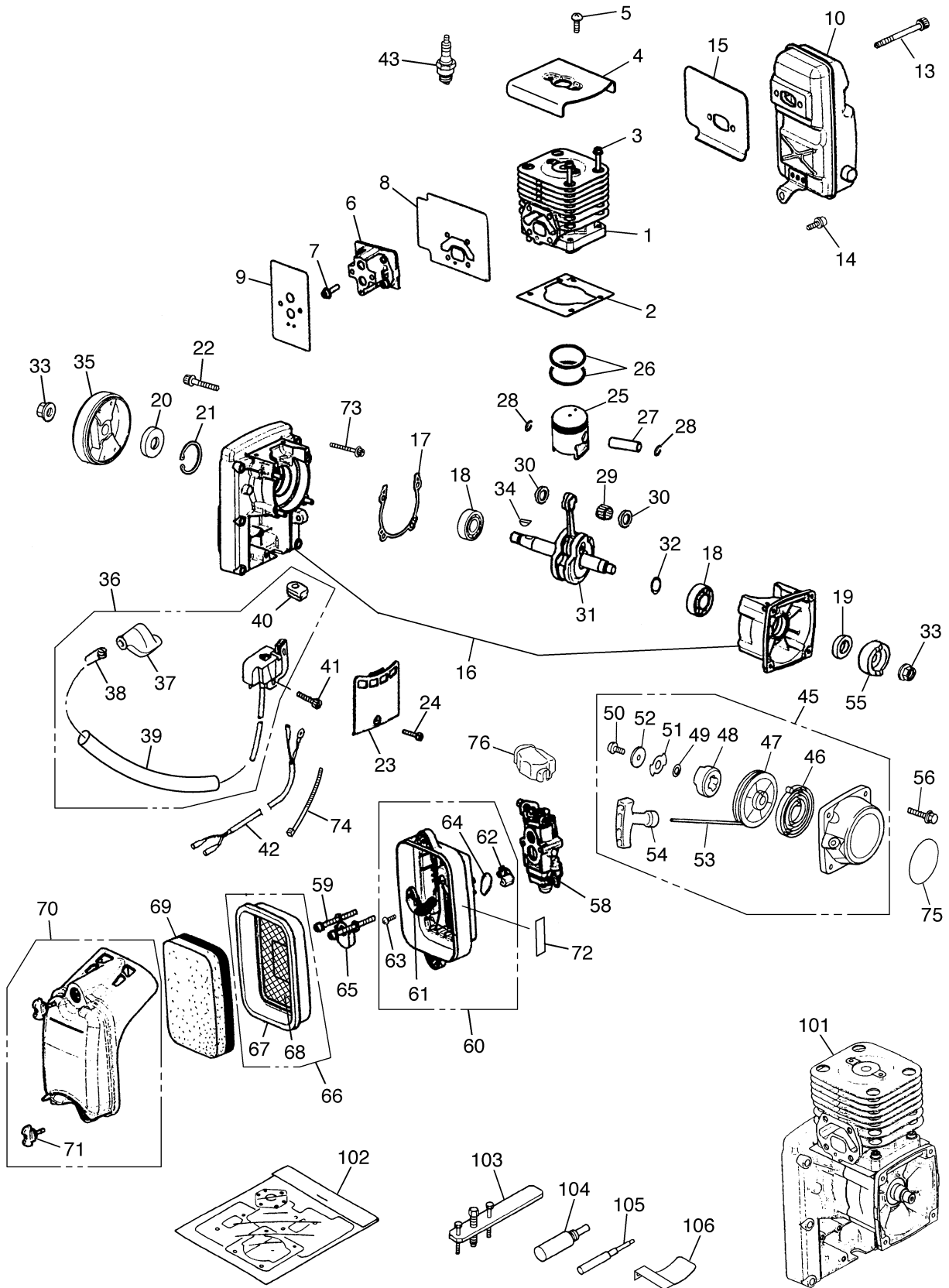
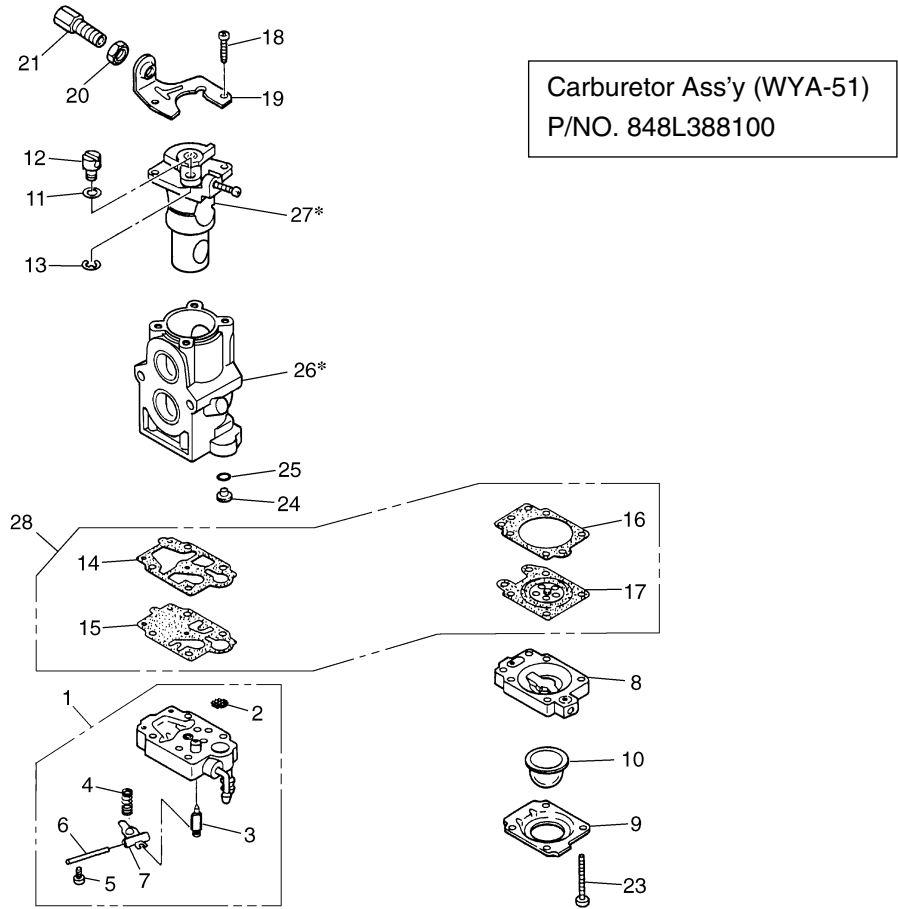


Fig.2 ENGINE GROUP (S/N 301604 and up)

Key#	PART NUMBER	DESCRIPTION	Q'TY /UNIT	NOTE	Key#	PART NUMBER	DESCRIPTION	Q'TY /UNIT	NOTE
1	T1108-12110	CYLINDER	1		54	1400-75170	• KNOB	1	
2	T1108-12210	GASKET, BASE	1		55	1487-75211	PULLEY	1	
3	4820-12130	BOLT	4		56	T4960-51431	SCREW	4	
4	T1108-12310	PLATE	1		58	848L388100	CARBURETOR	1	
5	T4960-50810	SCREW	2		59	T4950-56240	BOLT	2	
6	T1108-13160	INSULATOR	1		60	T1108-82100	BODY ASSY	1	
7	8488152001	BOLT	4		61	T1108-82130	• PLATE, CHOKE	1	
8	848GC014B1	GASKET, INSU	1		62	T1108-82140	• LEVER	1	
9	T1108-13130	GASKET, CARB	1		63	T1108-82190	• SCREW	1	
10	T1108-15110	MUFFLER	1		64	T1108-82180	• O-RING	1	
13	T4950-67031	BOLT	2		65	T1108-82150	PLATE	1	
14	T4950-61431	BOLT	1		66	T1108-82300	PACKING COMP.	1	
15	T1108-15210	GASKET, MUFF	1		67	T1108-82310	• PACKING	1	
16	T1108-21101	CRANKCASE COMP.	1		68	T1108-82320	• SCREEN	1	
17	T1108-21140	GASKET, CASE	1		69	T1108-82170	ELEMENT	1	
18	T4012-21240	BEARING	2		70	T1108-82200	COVER ASSY	1	
19	T4019-21210	SEAL	1		71	T1108-82220	• KNOB	2	
20	T1108-21220	SEAL	1		72	T1108-82061	LABEL, CHOKE	1	
21	04065-03515	SNAPRING	1		73	T4950-64031	BOLT	6	
22	4820-21310	BOLT	4		74	6129-61210	BAND	1	
23	2750-21211	COVER, MAG	1		75	T4028-75610	LABEL, RECOIL	1	
24	4820-72150	BOLT	1		76	4500-81910	COVER	1	
25	T1108-41110	PISTON	1						
26	2670-41211	RING, PISTON	2		101	T1108-05010	SHORT BLOCK	1	*Acc
27	2880-41310	PIN	1		102	T1108-06010	GASKET KIT	1	*Acc
28	3350-41320	SNAPRING	2		103	2750-96100	PULLER	1	*Acc
29	1400-41410	BEARING	1		104	4810-96220	STOPPER	1	*Acc
30	2616-41510	WASHER	2		105	2750-96230	GUIDE	1	*Acc
31	T1108-42000	CRANKSHAFT COMP.	1		106	2750-96240	GAUGE	1	*Acc
32	1300-42410	SHIM	1						
33	1400-43230	NUT	2						
34	1000-43240	KEY	1						
35	T1108-71110	ROTOR	1						
36	T1108-71200	COIL ASSY	1						
37	T1108-72110	• CAP	1						
38	T1108-72120	• SPRING	1						
39	T1108-72130	• TUBE	1						
40	5500-72130	• GROMMET	1						
41	4820-72150	BOLT	2						
42	T1108-71240	CORD COMP.	1						
43	3699-91809	SPARK PLUG (CHAMPION)	1	RZ7C					
45	T4030-75100	RECOIL ASSY	1						
46	1180-75221	• SPRING	1						
47	T4030-75120	• REEL	1						
48	T4030-75140	• DOG	1						
49	1861-75150	• WASHER	1						
50	1483-75270	• SCREW	1						
51	1487-75160	• RETAINER	1						
52	1487-75170	• WASHER	1						
53	1400-75160	• ROPE	1						

*Acc: Accessory, which is not included in standard package.

Fig.3 CARBURETOR COMPONENTS (S/N 301604 and up)

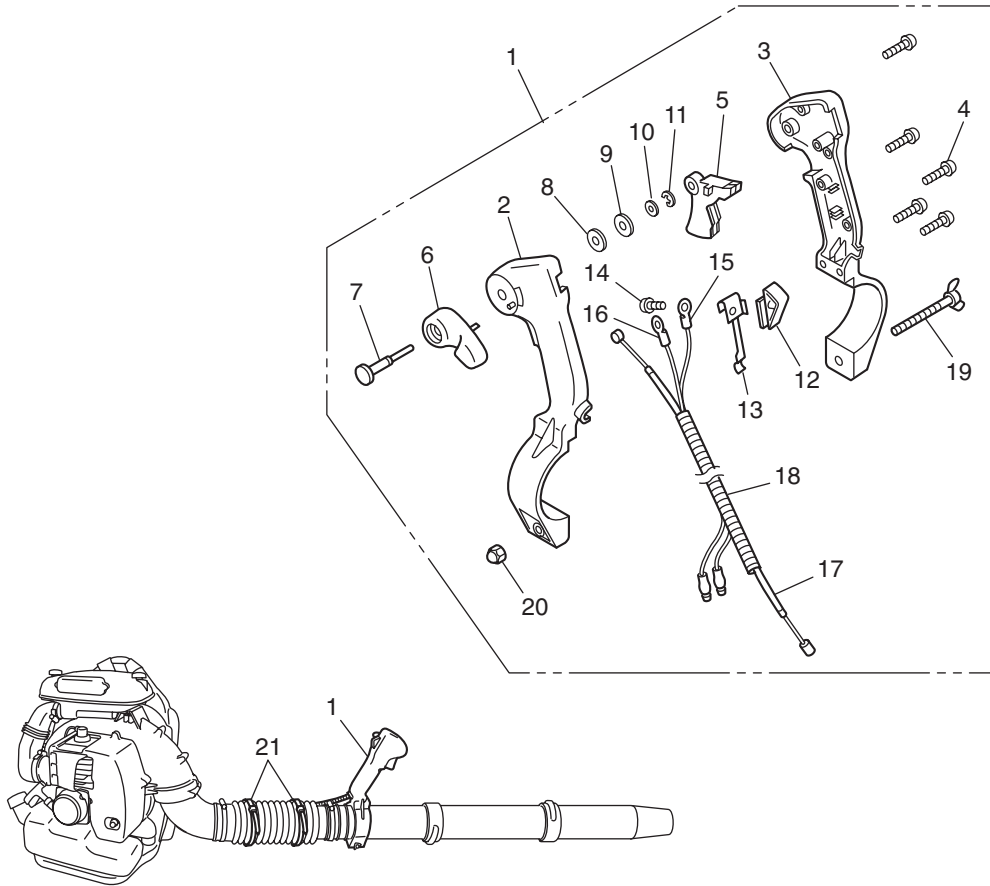


Key#	PART NUMBER	DESCRIPTION	Q'TY /UNIT	NOTE	Key#	PART NUMBER	DESCRIPTION	Q'TY /UNIT	NOTE
1	T1108-81450	Body ass'y	1		20	1751-81180	Nut	1	
2	_____	Screen	1		21	1918-81170	Screw	1	
3	_____	Valve	1		23	1850-81530	Screw	4	
4	_____	Spring	1		24	T1007-81250	Jet	1	#45
5	_____	Screw	1		25	1751-81240	O-Ring	1	
6	_____	Pin	1		26*	_____	Body	1	
7	_____	Lever	1		27*	_____	Valve ass'y	1	
8	1850-81490	Body	1		28	4810-06021	Gasket Kit (Key# 14,15,16,17)		*Acc
9	1850-81520	Cover	1						
10	1751-81510	Pump	1						
11	5500-81160	Washer	1						
12	1881-81140	Swivel	1						
13	1751-81130	Ring	1						
14	_____	Gasket	1						
15	_____	Diaphragm	1						
16	_____	Gasket	1						
17	_____	Diaphragm	1						
18	1752-81110	Screw	2						
19	5500-81120	Bracket	1						

[NOTE]
 • 26*-Body and 27*-Valve ass'y are not supplied as an individual part respectively, but supplied as a carburetor ass'y (P/NO. 848L388100).

*Acc: Accessory, which is not included in standard package.

Fig.4 LEVER (R) SET (S/N 301604 and up)



Key#	PART NUMBER	DESCRIPTION	Q'TY /UNIT	NOTE	Key#	PART NUMBER	DESCRIPTION	Q'TY /UNIT	NOTE
1	848L543411	LEVER (R) SET	1		20	2750-51540	• NUT	1	
2	848L5434A1	• CASE	1		21	3486-84110	BAND	2	
3	T4023-25210	• COVER	1						
4	T4023-25310	• SCREW 4x14	5						
5	T4023-25410	• LEVER, throttle	1						
6	848L5434D1	• LEVER	1						
7	T4023-25440	• SHAFT	1						
8	T4023-25450	• WASHER	1						
9	T4023-25460	• SPRING	1						
10	3238-15230	• WASHER	1						
11	T4023-25480	• CLIP	1						
12	T4023-25710	• SWITCH	1						
13	T4023-25721	• SPRING	1						
14	T4023-25730	• SCREW 4x10	1						
15	T4023-25740	• CORD	1						
16	T4023-25750	• CORD	1						
17	T4023-83100	• CABLE	1						
18	8488H19402	• TUBE	1						
19	3495-51420	• WING BOLT	1						



KOMATSU ZENOAH CO.

1-9 Minamidai, Kawagoe, Saitama, 350-1192 Japan
