

PARTS LIST

BACKPACK BLOWER

EB4300

EB6200

Fig.1 ENGINE GROUP

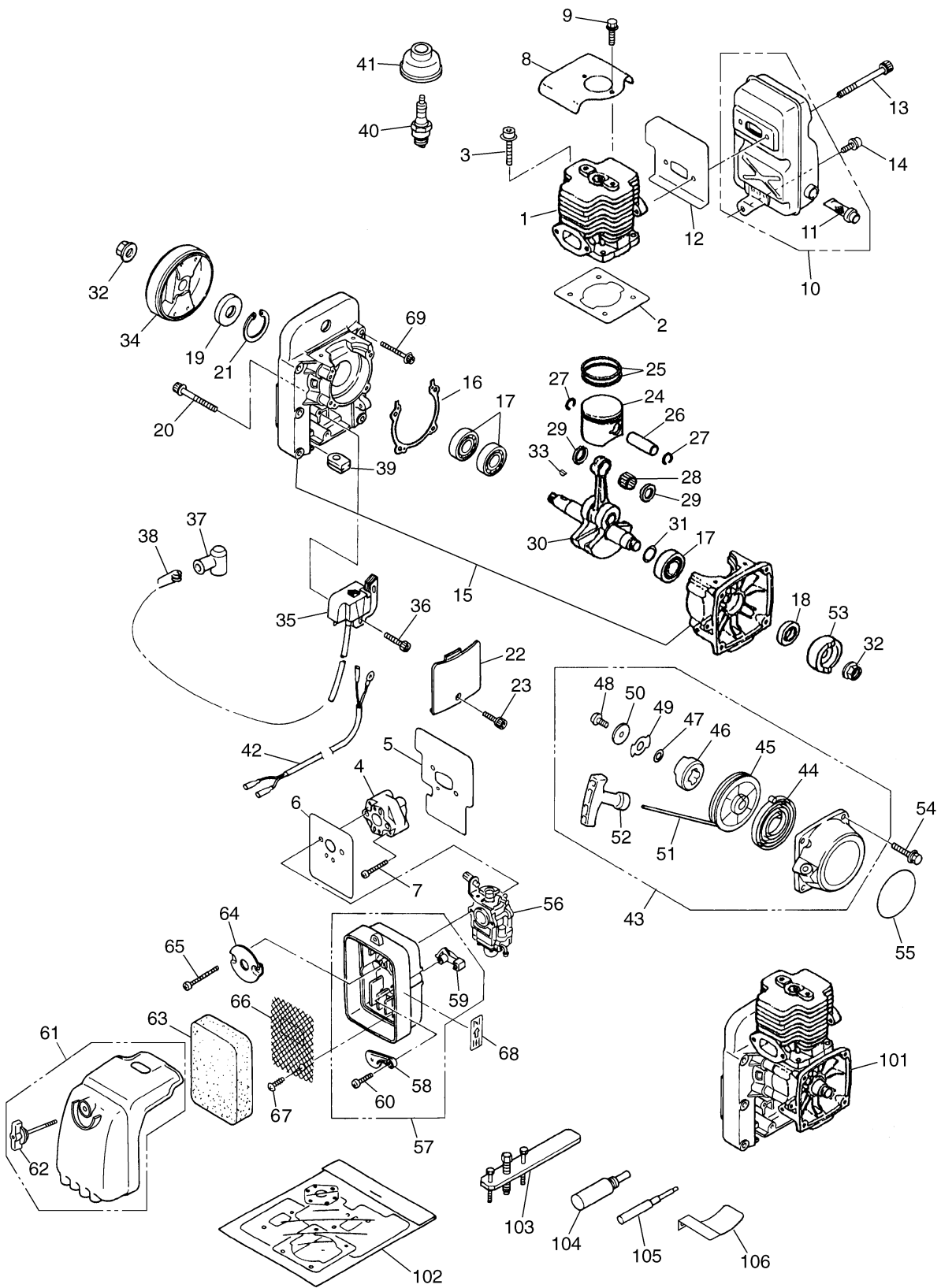


Fig.1 ENGINE GROUP

Key#	PART NUMBER	DESCRIPTION	Q'TY /UNIT	NOTE	Key#	PART NUMBER	DESCRIPTION	Q'TY /UNIT	NOTE
1	1490-12113	Cylinder	1		52	1400-75170	• Knob	1	
2	2756-12210	Gasket, base	1		53	1487-75211	Pulley	1	
3	3495-12280	Bolt	4		54	3460-75510	Bolt	4	
4	1484-13160	Insulator	1		55	2762-75610	Label	1	
5	2756-13120	Gasket	1		56	3407-81000	Carburetor	1	
6	2756-13130	Gasket	1		57	3407-82102	Body ass'y	1	
7	0263-90535	Screw	2		58	3407-82130	• Plate	1	
8	1491-32110	Cover	1		59	3407-82140	• Lever	1	
9	2750-12520	Bolt	2		60	2630-33610	• Screw	1	
10	2756-15100	Muffler ass'y	1		61	1487-82200	Cover ass'y	1	
11	1421-15120	• Arrester	1		62	1487-82210	• Knob	1	
12	2750-15210	Gasket	1		63	1491-82311	Element	1	
13	2750-15160	Bolt	2		64	1484-82510	Plate	1	
14	2750-15170	Bolt	1		65	0263-90560	Screw	2	
15	2756-21100	Crankcase comp	1		66	1491-82352	Screen	1	
16	2756-21140	Gasket	1		67	1491-82360	Screw	1	
17	2810-21240	Bearing	3		68	1133-82060	Label	1	
18	1520-21220	Oil seal	1		69	2750-21510	Bolt	6	
19	1400-21220	Oil seal	1						
20	01252-30530	Bolt	4						
21	04065-03515	Snap ring	1		101	2756-05010	Short block	OP	
22	2750-21210	Cover	1		102	2756-06010	Gasket kit	OP	
23	1565-72211	Bolt	1		103	2750-96100	Puller ass'y	OP	
24	1483-41111	Piston	1		104	3350-96220	Stopper	OP	
25	1400-41220	Ring	2		105	3350-96230	Guide	OP	
26	1490-41310	Piston pin	1		106	2750-96240	Gauge	OP	
27	3350-41320	Snap ring	2						
28	1400-41410	Bearing	1						
29	2616-41510	Washer	2						
30	2756-42000	Crankshaft comp	1						
31	1300-42410	Shim	0~1						
32	1400-43230	Nut	2						
33	1000-43240	Key	1						
34	2750-71110	Rotor	1						
35	2750-71200	Coil ass'y	1						
36	2750-72150	Bolt	2						
37	1900-72111	Cap	1						
38	1900-72120	Spring	1						
39	5500-72130	Grommet	1						
40	1497-73110	Spark plug	1	Champion RJ6C					
41	2756-71220	Cap	1						
42	2756-73200	Cord comp	1						
43	1487-75100	Recoil ass'y	1						
44	1180-75221	• Spring	1						
45	1487-75120	• Reel	1						
46	1487-75140	• Dog	1						
47	1861-75150	• Washer	1						
48	1483-75270	• Screw	1						
49	1487-75160	• Retainer	1						
50	1487-75170	• Washer	1						
51	1400-75160	• Rope	1						

Fig.2 BLOWER GROUP

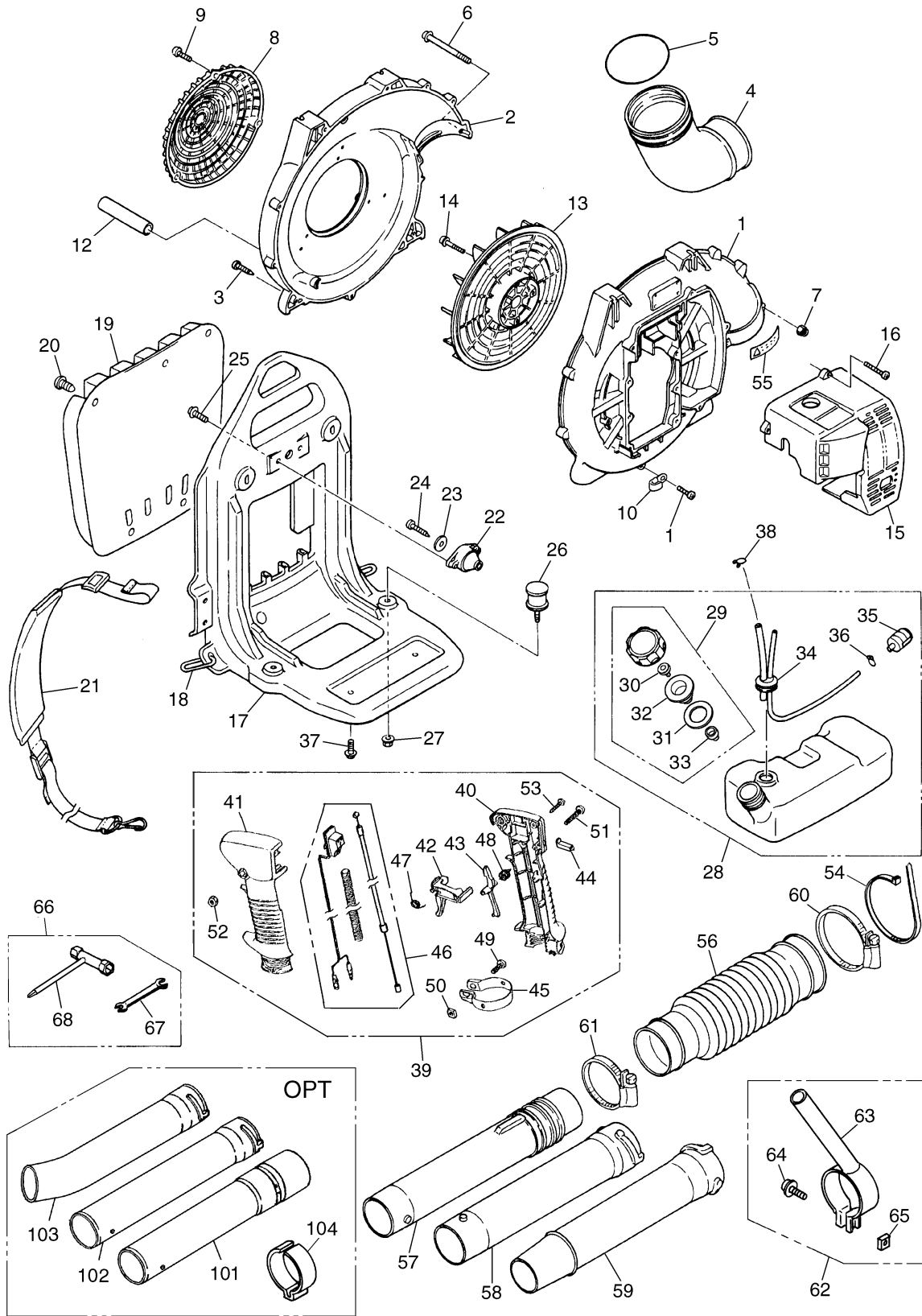


Fig.2 BLOWER GROUP

Key#	PART NUMBER	DESCRIPTION	Q'TY /UNIT	NOTE	Key#	PART NUMBER	DESCRIPTION	Q'TY /UNIT	NOTE
1	2750-31110	Volute case	1		53	1638-84220	• Screw	1	
2	2750-31210	Volute cover	1		54	3486-84110	Band	1	
3	2750-31150	Screw	9		55	3436-91170	Label	1	
4	3490-11150	Elbow	1		56	2750-51110	Hose	1	
5	07000-02095	O-Ring	1		57	2750-51200	Swivel joint	1	
6	2750-31420	Screw	2		58	6811-51210	Pipe, straight	1	
7	3310-53331	Nut	2		59	6811-51220	Pipe, end	1	
8	2750-31310	Cover inlet	1		60	2756-51510	Clamp	1	
9	2750-31150	Screw	3		61	2756-51520	Clamp	1	
10	1140-72231	Clamp	1		62	2752-51500	Stay ass'y	1	
11	3407-16120	Screw	1		63	2752-51510	• Handle stay	1	
12	2750-31290	Tube	1		64	00260-00630	• Screw	1	
13	2750-31510	Fan	1		65	3050-25251	• Nut	2	
14	3407-12210	Bolt	4		66	3407-91000	Tool set	1	
15	2750-31612	Engine cover	1		67	3540-91120	Spanner	1	
16	2750-31150	Screw	4		68	3407-91130	Socket	1	
17	2756-32100	Frame comp	1						
18	3490-21120	Ring	2						
19	3460-21311	Pad	1		101	3495-51201	Joint	OP	
20	3495-21320	Clip	4		102	3495-51321	Pipe	OP	
21	2756-32300	Band ass'y	2		103	3495-51331	Pipe	OP	
22	2750-32510	Damper, upper	1		104	3486-51520	Spacer	OP	
23	2750-32520	Washer	1						
24	2750-32530	Screw	1						
25	2750-32540	Bolt	2						
26	2750-32610	Damper, lower	2						
27	2750-32620	Nut	2						
28	2756-85100	Tank ass'y	1						
29	4500-85200	• Cap ass'y	1						
30	5600-85250	•• Valve	1						
31	4500-85220	•• Packing	1						
32	4500-85230	•• Holder	1						
33	5600-85240	•• Cap	1						
34	2750-85300	• Pipe comp	1						
35	3302-85400	• Filter	1						
36	1260-85460	• Clip	1						
37	3407-23610	Screw	2						
38	1100-86120	Clip	1						
39	2752-84000	Lever ass'y	1						
40	5935-84110	• Grip, right	1						
41	5935-84120	• Grip, left	1						
42	1638-84130	• Lever, throttle	1						
43	1638-84140	• Lever, safety	1						
44	1638-84150	• Lock	1						
45	1638-84160	• Band	1						
46	2752-84300	• Cable comp	1						
47	1638-84170	• Spring	1						
48	1638-84180	• Spring	1						
49	00263-60620	• Screw	1						
50	1638-84190	• Nut	1						
51	00260-60535	• Screw	1						
52	1638-84210	• Nut	1						

Fig.3 CARBURETOR COMPONENTS

Carburetor Ass'y P/NO. 3407-81000

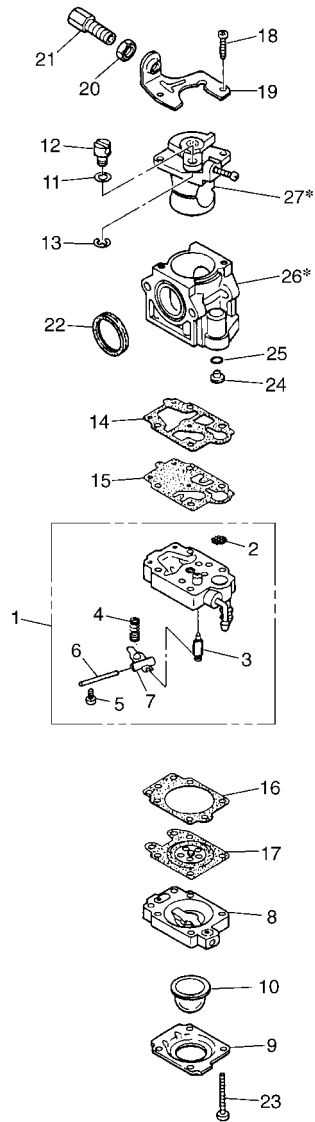


Fig.3 CARBURETOR COMPONENTS

Key#	PART NUMBER	DESCRIPTION	Q'TY /UNIT	NOTE
1	1850-81450	Body ass'y	1	
2	3306-81380	• Screen	1	
3	3356-81310	• Valve	1	
4	1850-81270	• Spring	1	
5	1850-81220	• Screw	1	
6	3310-81250	• Pin	1	
7	3310-81230	• Lever	1	
8	1850-81490	Body	1	
9	1850-81520	Cover	1	
10	1751-81510	Pump	1	
11	5500-81160	Washer	1	
12	1881-81140	Swivel	1	
13	1751-81130	Ring	1	
14	1065-81410	Gasket	1	
15	1065-81420	Diaphragm	1	
16	1850-81470	Gasket	1	
17	3310-81260	Diaphragm	1	
18	1752-81110	Screw	2	
19	5500-81120	Bracket	1	
20	1751-81180	Nut	1	
21	1918-81170	Screw	1	
22	1881-81130	Ring	1	
23	1850-81530	Screw	4	
24	2750-81250	Jet	1	
25	1751-81240	O-Ring	1	
26*	—————	Body	1	
27*	—————	Valve ass'y	1	

[NOTE]

- 26*-Body and 27*-Valve ass'y are not supplied as an individual part respectively, but supplied as a carburetor ass'y (P/NO. 3407-81000).

Fig.4 ENGINE GROUP

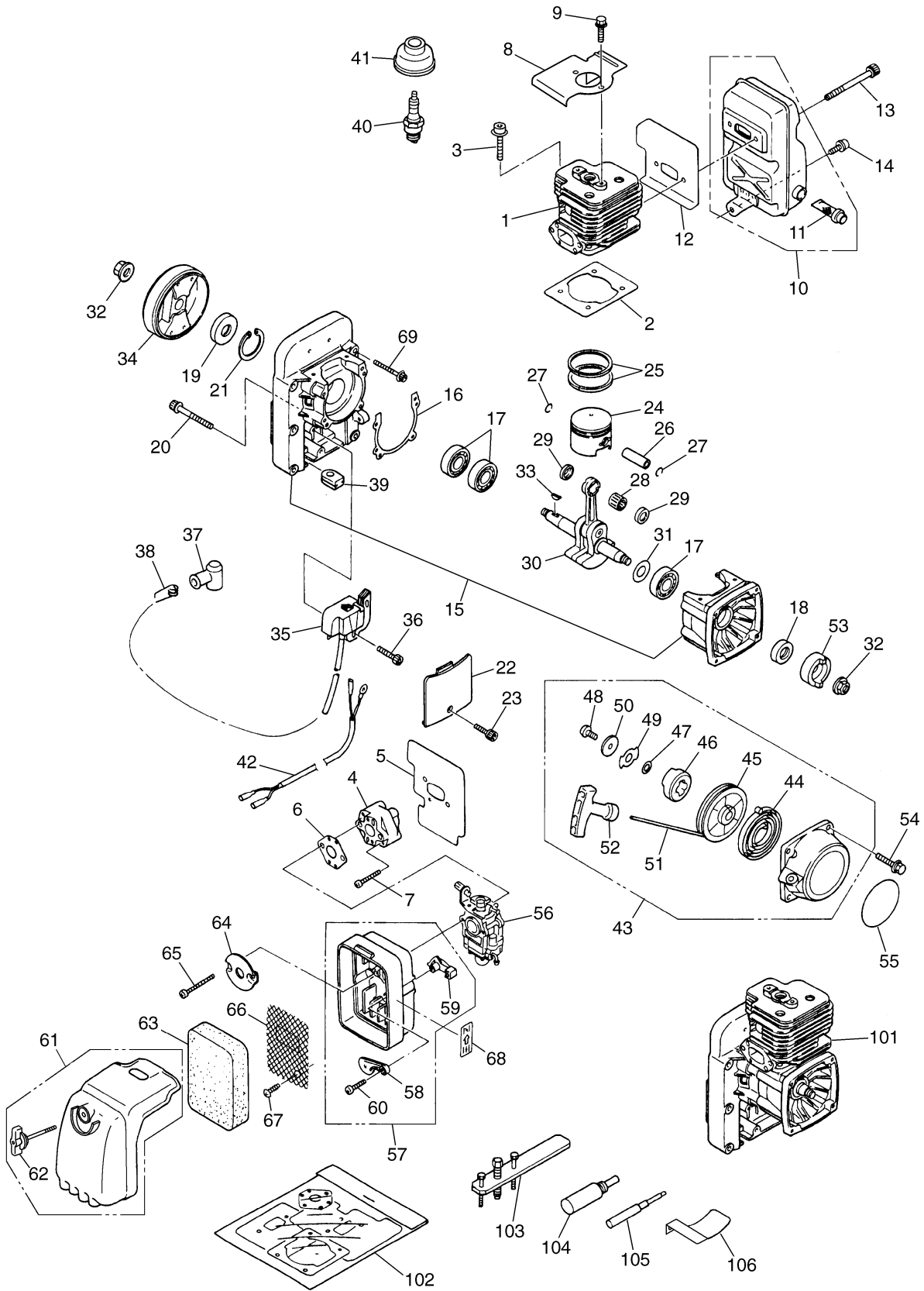


Fig.4 ENGINE GROUP

Key#	PART NUMBER	DESCRIPTION	Q'TY /UNIT	NOTE	Key#	PART NUMBER	DESCRIPTION	Q'TY /UNIT	NOTE
1	2750-12110	Cylinder	1		52	1400-75170	• Knob	1	
2	2750-12210	Gasket, base	1		53	1487-75211	Pulley	1	
3	2750-12130	Bolt	4		54	3460-75510	Bolt	4	
4	1484-13160	Insulator	1		55	2752-75610	Label	1	
5	2750-13130	Gasket	1		56	2750-81000	Carburetor	1	
6	1460-13132	Gasket	1		57	3407-82102	Body ass'y	1	
7	0263-90535	Screw	2		58	3407-82130	• Plate	1	
8	2750-12510	Cover	1		59	3407-82140	• Lever	1	
9	2750-12520	Bolt	2		60	2630-33610	• Screw	1	
10	2756-15100	Muffler ass'y	1		61	1487-82200	Cover ass'y	1	
11	1421-15120	• Arrester	1		62	1487-82210	• Knob	1	
12	2750-15210	Gasket	1		63	1491-82311	Element	1	
13	2750-15160	Bolt	2		64	1484-82510	Plate	1	
14	2750-15170	Bolt	1		65	0263-90560	Screw	2	
15	2750-21100	Crankcase comp	1		66	1491-82352	Screen	1	
16	2750-21140	Gasket	1		67	1491-82360	Screw	1	
17	2810-21240	Bearing	3		68	1133-82060	Label	1	
18	1520-21220	Oil seal	1		69	2750-21510	Bolt	6	
19	1400-21220	Oil seal	1						
20	01252-30530	Bolt	4						
21	04065-03515	Snap ring	1		101	2750-05011	Short block		OPTION
22	2750-21210	Cover	1		102	2750-06010	Gasket kit		OPTION
23	1565-72211	Bolt	1		103	2750-96100	Puller ass'y		OPTION
24	2750-41110	Piston	1		104	3350-96220	Stopper		OPTION
25	3366-41210	Ring	2		105	2750-96230	Guide		OPTION
26	3366-41310	Piston pin	1		106	2750-96240	Gauge		OPTION
27	3350-41320	Snap ring	2						
28	1400-41410	Bearing	1						
29	2616-41510	Washer	2						
30	2750-42000	Crankshaft comp	1						
31	1300-42410	Shim	0~1						
32	1400-43230	Nut	2						
33	1000-43240	Key	1						
34	2750-71110	Rotor	1						
35	2750-71200	Coil ass'y	1						
36	2750-72150	Bolt	2						
37	1900-72111	Cap	1						
38	1900-72120	Spring	1						
39	5500-72130	Grommet	1						
40	5602-73110	Spark plug	1	Champion RCJ6Y					
41	2751-71220	Cap	1						
42	2750-73200	Cord comp	1						
43	1487-75100	Recoil ass'y	1						
44	1180-75221	• Spring	1						
45	1487-75120	• Reel	1						
46	1487-75140	• Dog	1						
47	1861-75150	• Washer	1						
48	1483-75270	• Screw	1						
49	1487-75160	• Retainer	1						
50	1487-75170	• Washer	1						
51	1400-75160	• Rope	1						

Fig.5 BLOWER GROUP

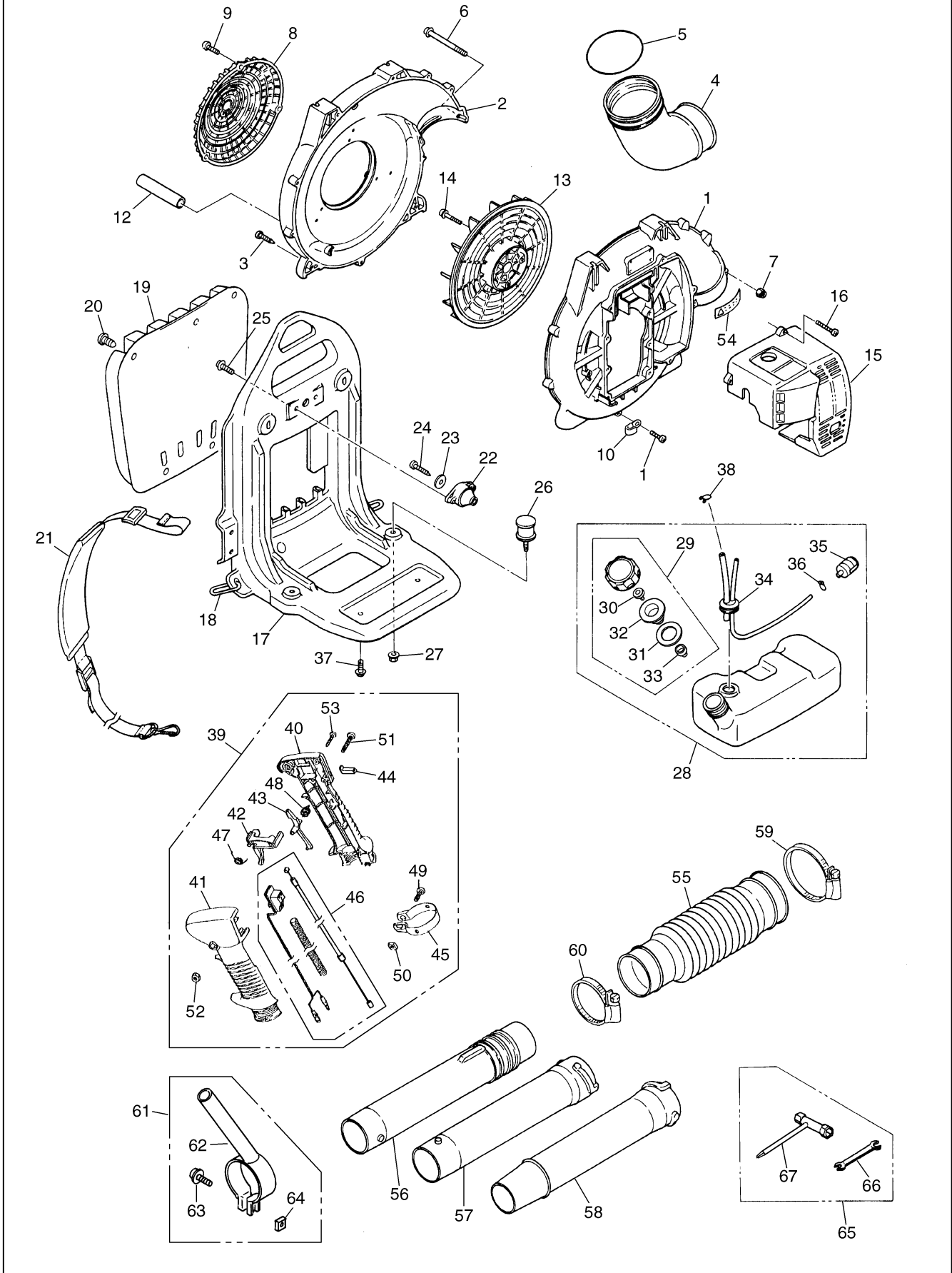


Fig.5 BLOWER GROUP

Key#	PART NUMBER	DESCRIPTION	Q'TY /UNIT	NOTE	Key#	PART NUMBER	DESCRIPTION	Q'TY /UNIT	NOTE
1	2750-31110	Volute case	1		53	1638-84220	• Screw	1	
2	2750-31210	Volute cover	1		54	3436-91170	Label	1	
3	2750-31150	Screw	9		55	2750-51110	Hose	1	
4	3490-11150	Elbow	1		56	2750-51200	Swivel joint	1	
5	07000-02095	O-Ring	1		57	6811-51210	Pipe, straight	1	
6	2750-31420	Screw	2		58	6811-51220	Pipe, end	1	
7	3310-53331	Nut	2		59	2756-51510	Clamp	1	
8	2750-31310	Cover inlet	1		60	2756-51520	Clamp	1	
9	2750-31150	Screw	3		61	2752-51500	Stay ass'y	1	
10	1140-72231	Clamp	1		62	2752-51510	• Handle stay	1	
11	3407-16120	Screw	1		63	00260-00630	• Screw	1	
12	2750-31290	Tube	1		64	3050-25251	• Nut	1	
13	2750-31510	Fan	1		65	2751-91000	Tool set	1	
14	3407-12210	Bolt	4		66	3540-91120	Spanner	1	
15	2750-31612	Engine cover	1		67	3073-91111	Socket	1	
16	2750-31150	Screw	4						
17	2756-32100	Frame comp	1						
18	3490-21120	Ring	2						
19	3460-21311	Pad	1						
20	3495-21320	Clip	4						
21	2756-32300	Band ass'y	2						
22	2750-32510	Damper, upper	1						
23	2750-32520	Washer	1						
24	2750-32530	Screw	1						
25	2750-32540	Bolt	2						
26	2750-32610	Damper, lower	2						
27	2750-32620	Nut	2						
28	2750-85100	Tank ass'y	1						
29	4500-85200	• Cap ass'y	1						
30	5600-85250	•• Valve	1						
31	4500-85220	•• Packing	1						
32	4500-85230	•• Holder	1						
33	5600-85240	•• Cap	1						
34	2750-85300	• Pipe comp	1						
35	3302-85400	• Filter	1						
36	1260-85460	• Clip	1						
37	3407-23610	Screw	2						
38	1100-86120	Clip	1						
39	2752-84000	Lever ass'y	1						
40	5935-84110	• Grip, right	1						
41	5935-84120	• Grip, left	1						
42	1638-84130	• Lever, throttle	1						
43	1638-84140	• Lever, safety	1						
44	1638-84150	• Lock	1						
45	1638-84160	• Band	1						
46	2752-84300	• Cable comp	1						
47	1638-84170	• Spring	1						
48	1638-84180	• Spring	1						
49	00263-60620	• Screw	1						
50	1638-84190	• Nut	1						
51	00260-60535	• Screw	1						
52	1638-84210	• Nut	1						

Fig.6 CARBURETOR COMPONENTS

Carburetor Ass'y P/NO. 2750-81000

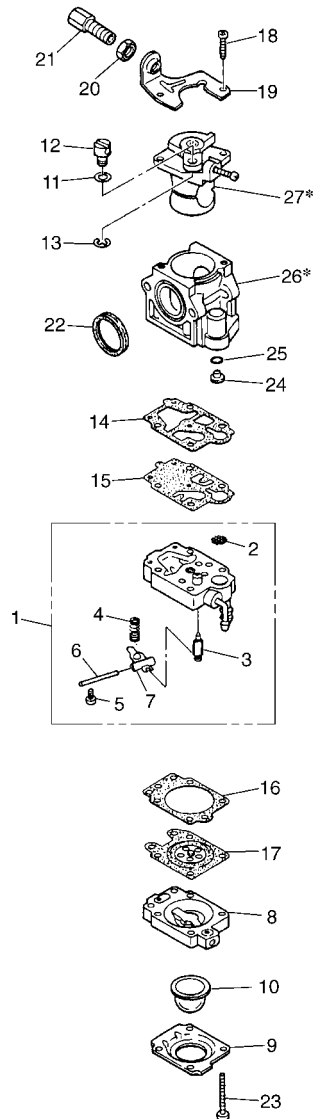


Fig.6 CARBURETOR COMPONENTS

Key#	PART NUMBER	DESCRIPTION	Q'TY /UNIT	NOTE
1	1850-81450	BODY ASS'Y	1	
2	3306-81380	• SCREEN	1	
3	3356-81310	• VALVE	1	
4	1850-81270	• SPRING	1	
5	1850-81220	• SCREW	1	
6	3310-81250	• PIN	1	
7	3310-81230	• LEVER	1	
8	1850-81490	BODY	1	
9	1850-81520	COVER	1	
10	1751-81510	PUMP	1	
11	5500-81160	WASHER	1	
12	1881-81140	SWIVEL	1	
13	1751-81130	RING	1	
14	1065-81410	GASKET	1	
15	1065-81420	DIAPHRAGM	1	
16	1850-81470	GASKET	1	
17	3310-81260	DIAPHRAGM	1	
18	1752-81110	SCREW	2	
19	5500-81120	BRACKET	1	
20	1751-81180	NUT	1	
21	1918-81170	SCREW	1	
22	1881-81130	RING	1	
23	1850-81530	SCREW	4	
24	2750-81250	JET	1	
25	1751-81240	O-RING	1	
26*	—————	BODY	1	
27*	—————	VALVE ASS'Y	1	

[NOTE]

- 26*-Body and 27*-Valve ass'y are not supplied as an individual part respectively, but supplied as a carburetor ass'y (P/NO. 2750-81000).