

PARTS LIST

Mist Kit

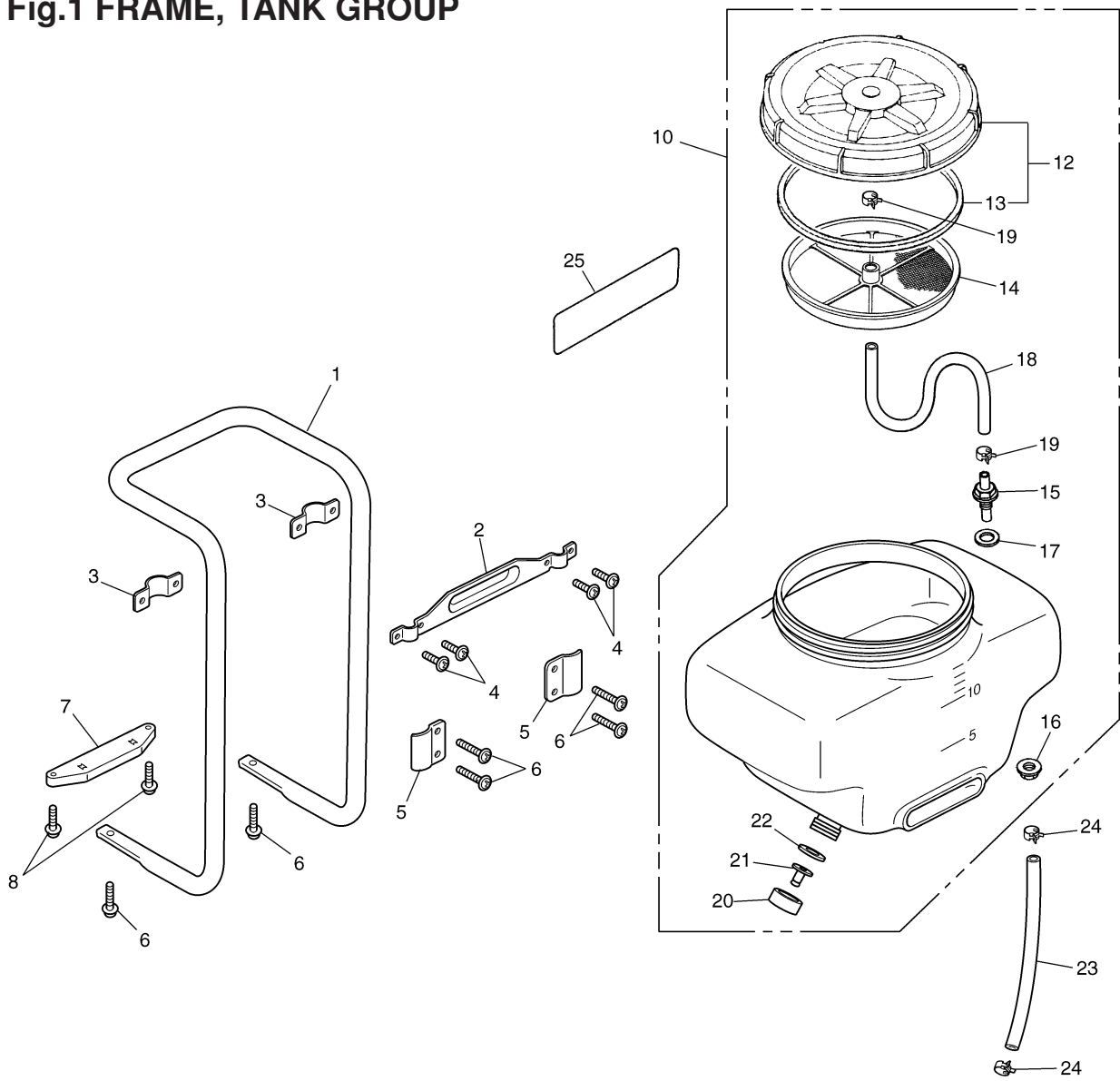
Mist Kit for EBZ8000

NOTE :

1. Use KOMATSU ZENOAH genuine parts specified in the parts list for repair and/or replacement.
2. KOMATSU ZENOAH does not warrant the machines, those which have been damaged by the use of any parts other than those specified by the company.
3. When placing orders of parts for repair and/or replacement, check if the model name and the serial number are suitable to those specified in the parts list, then use parts number described in the parts list.
4. The contents described in the parts list may change due to improvement.
5. The parts for the machine shall be supplied within ten (10) years after the machine is discontinued.
[It is possible that some specific parts may be subject to change of their delivery term and list price within the limit of ten (10) years after the machine is discontinued. And it is also possible that some parts may be available even after the limit of ten (10) years.]

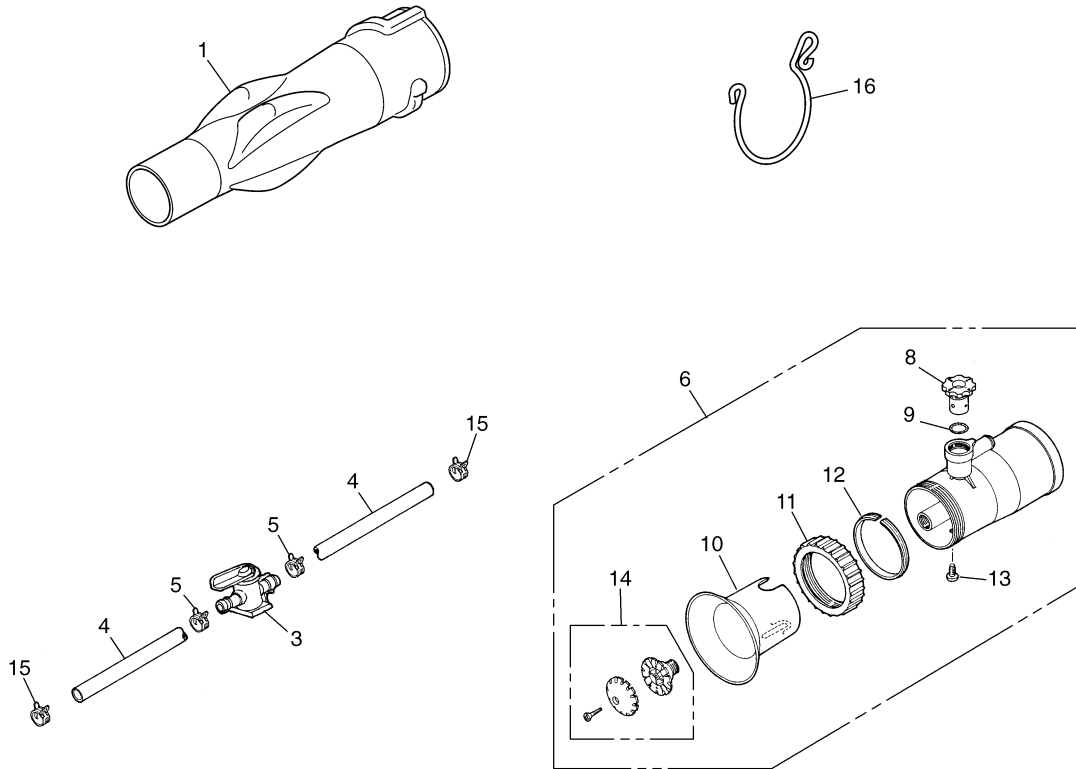
Mist Kit for EBZ8000

Fig.1 FRAME, TANK GROUP



Key#	PART NUMBER	DESCRIPTION	QTY /UNIT	NOTE	Key#	PART NUMBER	DESCRIPTION	QTY /UNIT	NOTE
1	848L8235A0	FRAME	1		17	T4031-35330	• GASKET	1	
2	848L8235F1	PLATE	1		18	3460-42110	• TUBE	1	
3	848L8235G0	PLATE	2		19	3063-22510	• CLIP	2	
4	T4960-51431	SCREW	4		20	3460-42111	• CAP	1	
5	848L8235H0	PLATE	2		21	848L8257K0	• JOINT	1	
6	T4970-52510	SCREW	6		22	3460-31320	• GASKET	1	
7	848L8235J0	SPACER	1		23	848L8257M0	TUBE	1	
8	T4970-52000	SCREW	2		24	1334-85430	CLIP	2	
10	848L825712	TANK ASS'Y	1		25	T4031-35810	LABEL	1	
12	3460-31204	• CAP ASS'Y	1						
13	3460-31223	•• GASKET	1						
14	3460-42910	• FUNNEL	1						
15	848L8257E0	• JOINT	1						
16	T4031-35320	• NUT	1						

Fig.2 PIPE GROUP



Key#	PART NUMBER	DESCRIPTION	Q'TY /UNIT	NOTE	Key#	PART NUMBER	DESCRIPTION	Q'TY /UNIT	NOTE
1	848L8265E1	PIPE END	1						
3	848L825730	COCK	1						
4	3010-42480	TUBE	2						
5	1334-85430	CLIP	2						
6	3460-41200	MIST PIPE ASS'Y	1						
8	3460-41220	• VALVE	1						
9	07000-02012	• O-RING	1						
10	3460-41230	• PIPE, slide	1						
11	3460-41240	• STOPPER	1						
12	3460-41250	• RING, stopper	1						
13	0261-00510	• SCREW	1						
14	3460-41300	• NOZZLE ASS'Y	1						
15	1334-85430	CLIP	2						
16	848L5965G0	CLAMP	1						



KOMATSU ZENOAH CO.

1-9 Minamidai, Kawagoe, Saitama, 350-1192 Japan

PRINTED IN JAPAN

PRINTED ON RECYCLED PAPER
IMPRIMÉ SUR PAPIER RECYCLÉ
GEDRUCKT AUF RECYCLING PAPIER
STAMPATO SU CARTA RICICLATA
IMPRESO EN PAPEL RECICLADO