

# PARTS LIST

HANDY BLOWER

**HBZ2602**

**NOTE :**

1. Use ZENOAH genuine parts specified in the parts list for repair and/or replacement.
2. ZENOAH does not warrant the machines, those which have been damaged by the use of any parts other than those specified by the company.
3. When placing orders of parts for repair and/or replacement, check if the model name and the serial number are suitable to those specified in the parts list, then use parts number described in the parts list.
4. The contents described in the parts list may change due to improvement.
5. The parts for the machine shall be supplied within ten (10) years after the machine is discontinued.  
[It is possible that some specific parts may be subject to change of their delivery term and list price within the limit of ten (10) years after the machine is discontinued. And it is also possible that some parts may be available even after the limit of ten (10) years.]

---

APPLICABLE SERIAL NUMBERS :

and up

March 2011

Fig.1 ENGINE GROUP

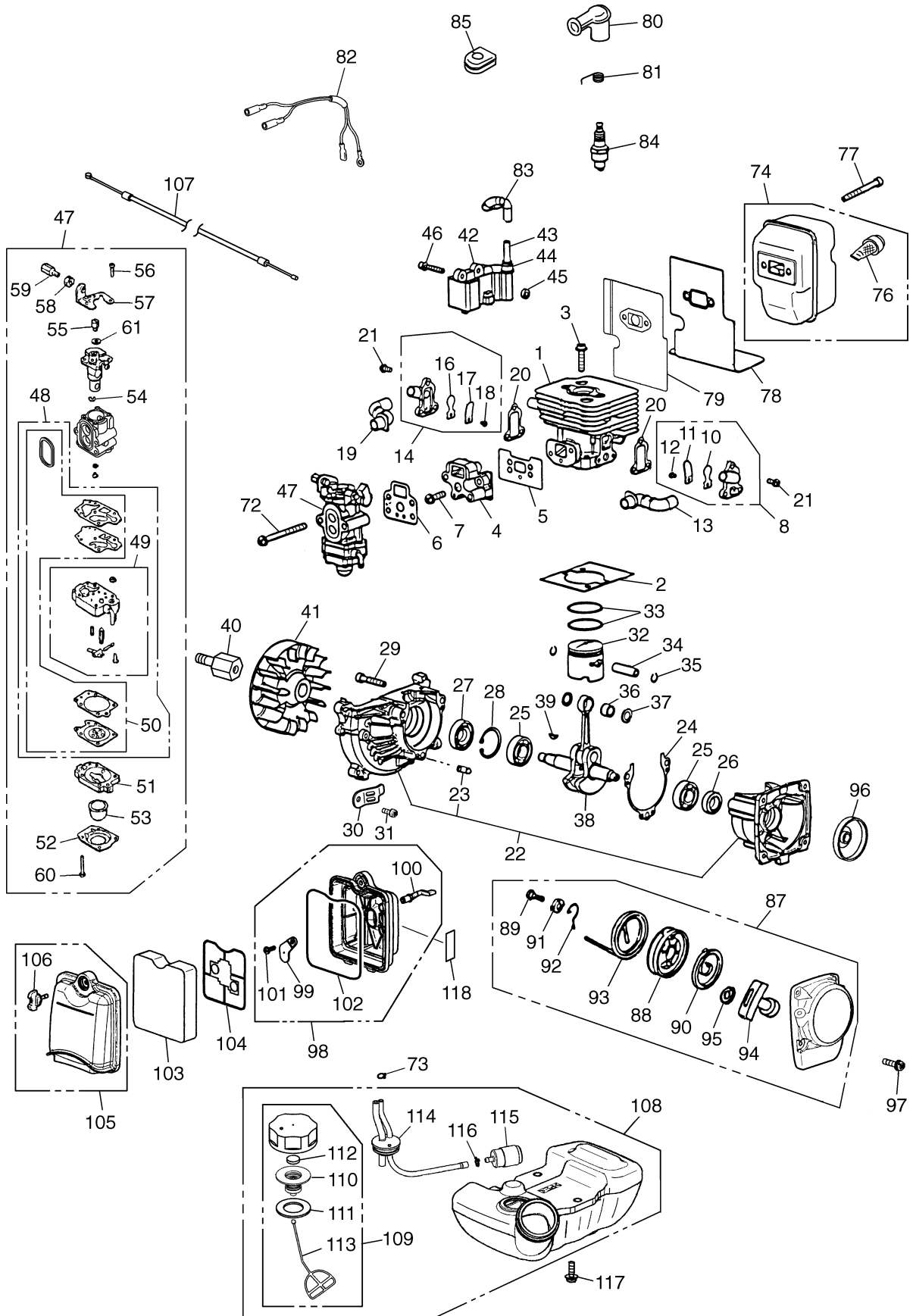
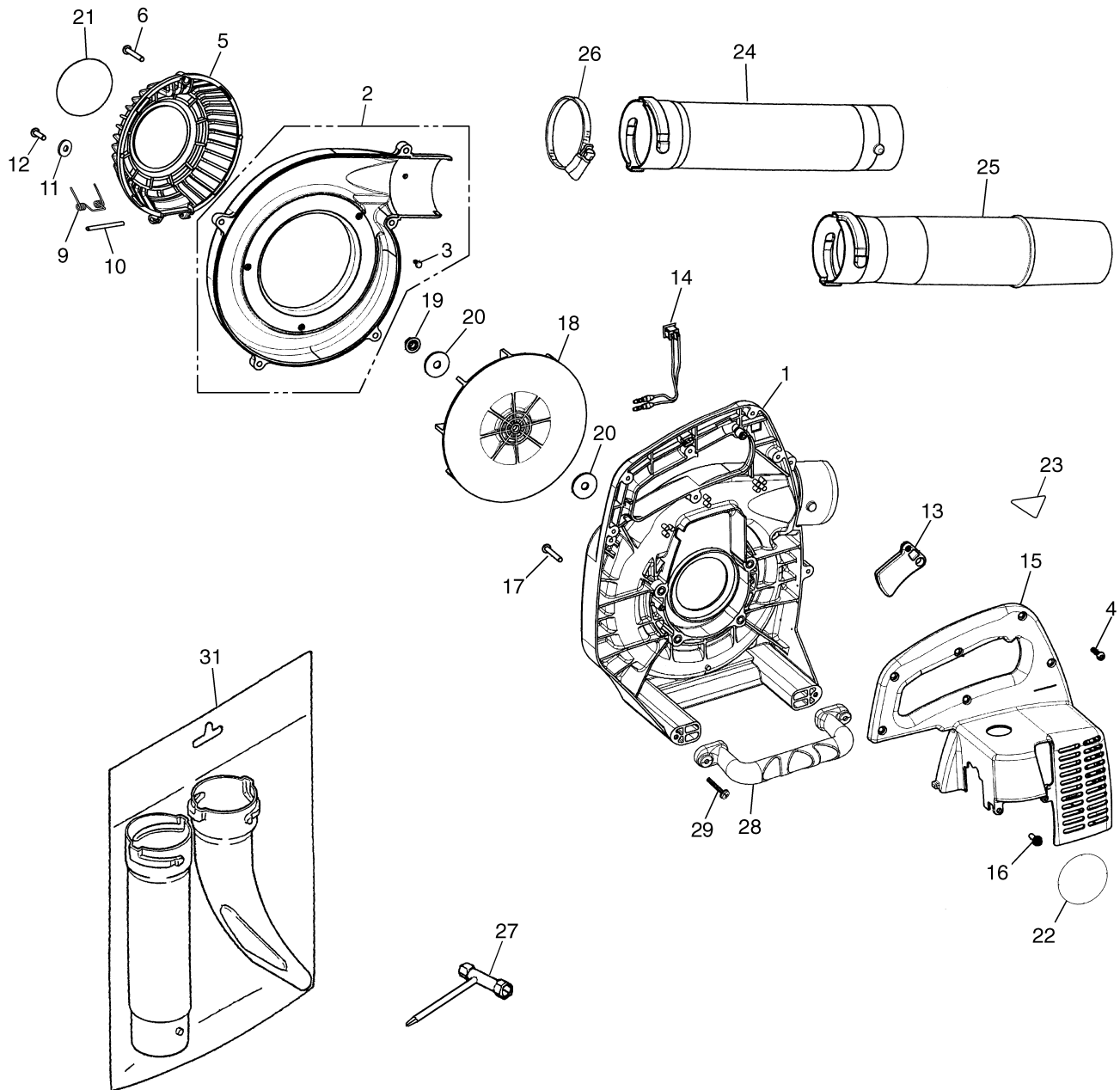


Fig.1 ENGINE GROUP

Key#	PART NUMBER	DESCRIPTION	Q'TY /UNIT	NOTE	Key#	PART NUMBER	DESCRIPTION	Q'TY /UNIT	NOTE
1	848F3R12A2	CYLINDER	1		59	Z191881170	• SCREW	1	
2	848F3R12B0	GASKET	1		60	Z185081530	• SCREW	4	
3	Z482012130	BOLT TORX, M5x22	2		61	Z550081160	• WASHER	1	
4	848F3R14A0	INSULATOR	1						
5	T151213120	GASKET, INSU	1		72	Z482082310	BOLT TORX, M5x60	2	
6	848F4G14C0	GASKET, CARB	1		73	Z195086120	CLIP	1	
7	Z482013180	BOLT TORX, M5x20	2		74	848F3U1510	MUFFLER ASSY	1	
8	848F4G1600	REEDVALVE ASSY(S)	1						
13	848F3R16E0	PIPE, AIR S	1		76	Z481015140	• ARRESTER	1	
14	848F4G1610	REEDVALVE ASSY(F)	1		77	T495057030	BOLT TORX, M5x70	2	
					78	848F3U15C1	GASKET, MUFF	1	
19	848F3R16F0	PIPE, AIR F	1		79	848F3U15D0	PLATE, MUFF	1	
20	848F3R16H0	GASKET, VALVE	2		80	T207072210	CAP	1	
21	8488141000	BOLT TORX, M4x10	6		81	Z190072120	SPRING	1	
22	Z481021101	CRANKCASE COMP.	1		82	T151371240	CORD COMP.	1	
23	Z262921130	• PIN	3		83	T151371320	TUBE	1	
24	Z481021140	GASKET, CASE	1		84	Z369991867	SPARK PLUG, NGK CMR7H	1	
25	T180221240	BEARING	2		85	Z550072130	GROMMET	1	
26	Z481021210	SEAL	1						
27	Z185021220	SEAL	1		87	Z481075100	RECOIL ASSY	1	
28	0406502812	SNAPRING	1		88	Z450075120	• REEL	1	
29	Z482021310	BOLT TORX, M5x30	3		89	Z450075150	• SCREW	1	
30	Z481022110	GUARD	1		90	Z185075130	• SPRING	1	
31	Z482012350	BOLT TORX, M5x10	1		91	Z450075180	• COLLAR	1	
32	848F4G41A0	PISTON	1		92	Z450075190	• ARM	1	
33	8488C34101	RING	2		93	Z481075160	• ROPE	1	
34	8488B82800	PIN	1		94	Z333075421	• KNOB	1	
35	Z126041320	SNAPRING	2		95	Z481075170	• PLATE	1	
36	8488881100	BEARING	1		96	Z450075210	PULLEY	1	
37	Z110141340	WASHER	2		97	Z482085510	BOLT TORX, M5x16	2	
38	848F3R4200	CRANKSHAFT COMP.	1		98	T151382100	BODY ASSY	1	
39	Z100043240	KEY	1		99	T151282130	• PLATE, CHOKE	1	
40	Z551643230	EXTENTION	1		100	T160082140	• LEVER	1	
41	Z481071110	ROTOR	1		101	T110882190	• SCREW	1	
42	T151371200	COIL ASSY	1		102	T151382120	• PACKING	1	
43	T151371220	• CORD	1		103	T151382170	ELEMENT	1	
44	Z261671320	• CAP	1		104	848F0283K2	SCREEN	1	
45	Z126071261	SPACER	2		105	848F3C8321	COVER ASSY	1	
46	Z482072150	BOLT TORX	2		106	T110882220	• KNOB	1	
47	848F4G8100	CARBURETOR ASSY	1		107	Z551683101	CABLE	1	
48	848F600631	• REBUILD KIT	1		108	848F348502	TANK ASSY	1	
49	Z185081450	•• BODY ASSY	1		109	T101585202	• CAP ASSY	1	
50	Z481006022	•• GASKET KIT	1		110	Z450085300	•• HOLDER ASSY	1	
51	Z185081490	• BODY	1		111	Z450085220	•• PACKING	1	
52	Z185081520	• COVER	1		112	Z560185260	•• FILTER	1	
53	Z175181510	• PUMP	1		113	Z482085260	•• STOPPER	1	
54	Z175181130	• RING	1		114	Z481085300	• PIPE COMP.	1	
55	Z188181140	• SWIVEL	1		115	Z330285401	• FILTER ASSY	1	
56	Z175281110	• SCREW	2		116	Z126085460	• CLIP	1	
57	Z550081120	• BRACKET	1		117	Z482085510	BOLT TORX, M5x16	3	
58	Z175181180	• NUT	1		118	Z113382060	LABEL, CHOKE	1	

Fig.2 BLOWER GROUP



**Fig.2 BLOWER GROUP**

Key#	PART NUMBER	DESCRIPTION	Q'TY /UNIT	NOTE	Key#	PART NUMBER	DESCRIPTION	Q'TY /UNIT	NOTE
1	848L0T55A0	VOLUTE CASE	1						
2	T402211301	VOLUTE COVER ASSY	1						
3	Z160033130	• SCREW	3						
4	T497052000	SCREW TORX	12						
5	T403331310	GURD NET	1						
6	0026330425	SCREW	1						
9	T403331350	SPRING	1						
10	T403331360	SHAFT	1						
11	T403332120	WASHER	1						
12	T497051410	SCREW TORX	1						
13	Z681111150	LEVER	1						
14	848L0L7200	SWITCH	1						
15	T402211210	ENGINE COVER	1						
16	Z482085510	BOLT TORX	2						
17	T496053510	SCREW TORX	4						
18	Z681112110	FAN	1						
19	Z165043230	182301 NUT	1						
20	Z681112220	WASHER	2						
21	848L0W90S0	LABEL, CAUTION	1						
22	848L0W90C0	LABEL, RECOIL	1						
23	848C1B90G0	LABEL, HOT MARK	1						
24	Z681151211	PIPE CT2-18	1						
25	848L0L65E0	PIPE, END CT2-19	1						
26	8488K40061	CLAMP	1						
27	T401791130	SOCKET	1						
28	848L0A65G0	HANDLE	1						
29	8488553000	SCREW	2						
31	848L710641	FLAT NOZZLE SET	1						