

PARTS LIST

WATER PUMP

PE2500H

NOTE :

1. Use KOMATSU ZENOAH genuine parts specified in the parts list for repair and/or replacement.
2. KOMATSU ZENOAH does not warrant the machines, those which have been damaged by the use of any parts other than those specified by the company.
3. When placing orders of parts for repair and/or replacement, check if the model name and the serial number are suitable to those specified in the parts list, then use parts number described in the parts list.
4. The contents described in the parts list may change due to improvement.
5. The parts for the machine shall be supplied within ten (10) years after the machine is discontinued. [It is possible that some specific parts may be subject to change of their delivery term and list price within the limit of ten (10) years after the machine is discontinued. And it is also possible that some parts may be available even after the limit of ten (10) years.]

APPLICABLE SERIAL NUMBERS:

PUMP UNIT	900101 and up
ENGINE UNIT	900101 and up

OCTOBER 1999

Fig.1 PUMP UNIT

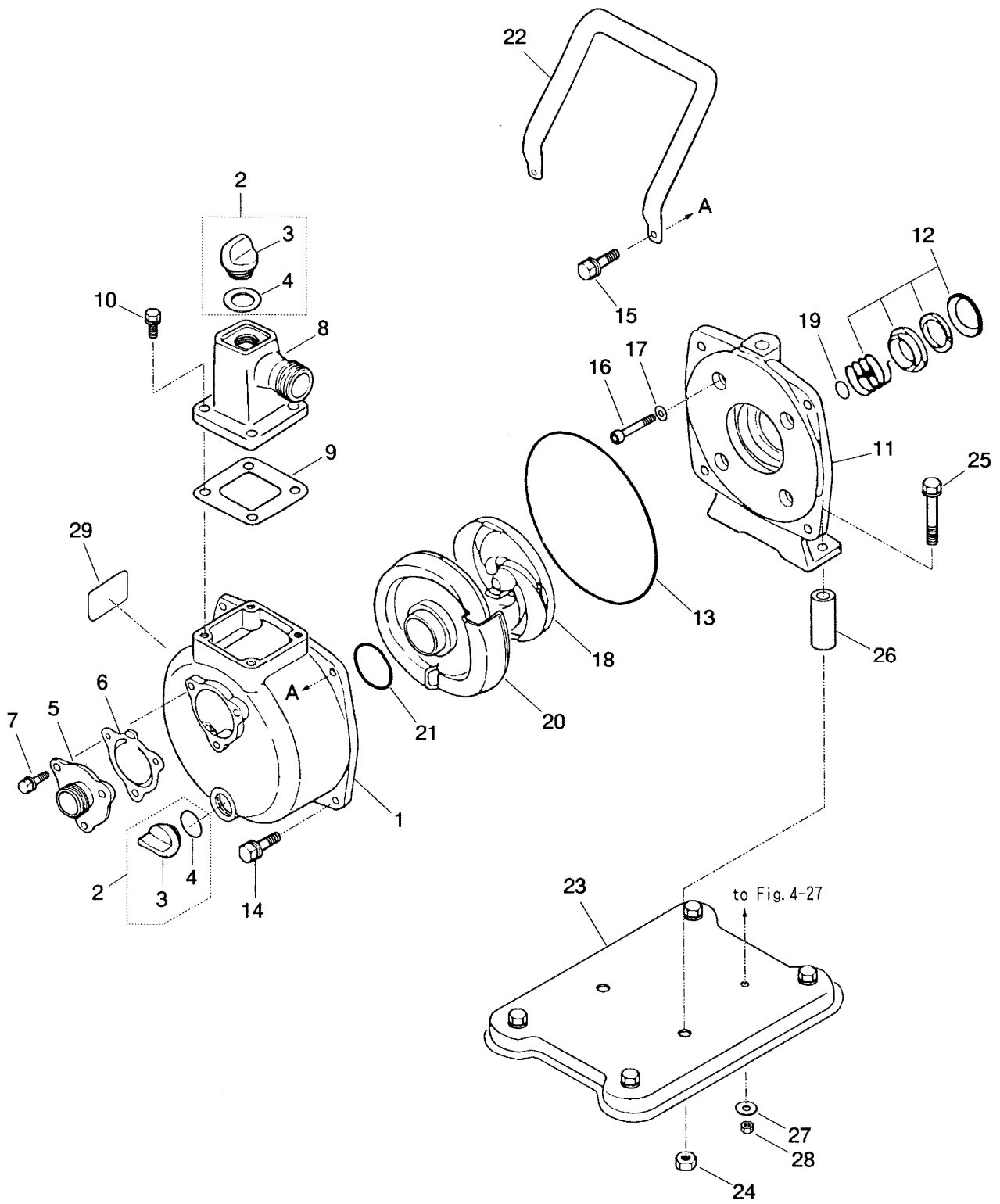


Fig.1 PUMP UNIT

Key#	PART NUMBER	DESCRIPTION	NOTE	Q'TY
1	3854-11111	CASING		1
2	3854-11200	PLUG ASS'Y		2
3	3854-11210	• PLUG		1
4	3854-11220	• O-RING		1
5	3854-11311	COVER		1
6	3854-11401	VALVE COMP		1
7	0224-10620	BOLT	M6 × 20	3
8	3854-11510	BEND		1
9	3854-11520	GASKET		1
10	0224-10620	BOLT	M6 × 20	4
11	T4904-12110	BRACKET		1
12	T4904-12210	SEAL		1
13	3854-12310	O-RING		1
14	3854-30110	BOLT	M8 × 20	2
15	T4904-30120	BOLT	M8 × 22	2
16	3854-30030	BOLT	M6 × 40	4
17	3854-30250	WASHER		4
18	T4904-13110	IMPELLER		1
19	T4904-13120	SHIM		1
20	T4904-13210	CASE		1
21	3854-13220	O-RING		1
22	T4904-14310	HANDLE		1
23	T4904-14100	BASE ASS'Y		1
24	3854-30220	NUT		2
25	T4904-30110	BOLT	M8 × 55	2
26	T4904-14210	SPACER		2
27	0290-20615	WASHER		2
28	0280-10605	NUT		2
29	T4904-11120	NAMER		1

Fig.2 ENGINE BLOCK

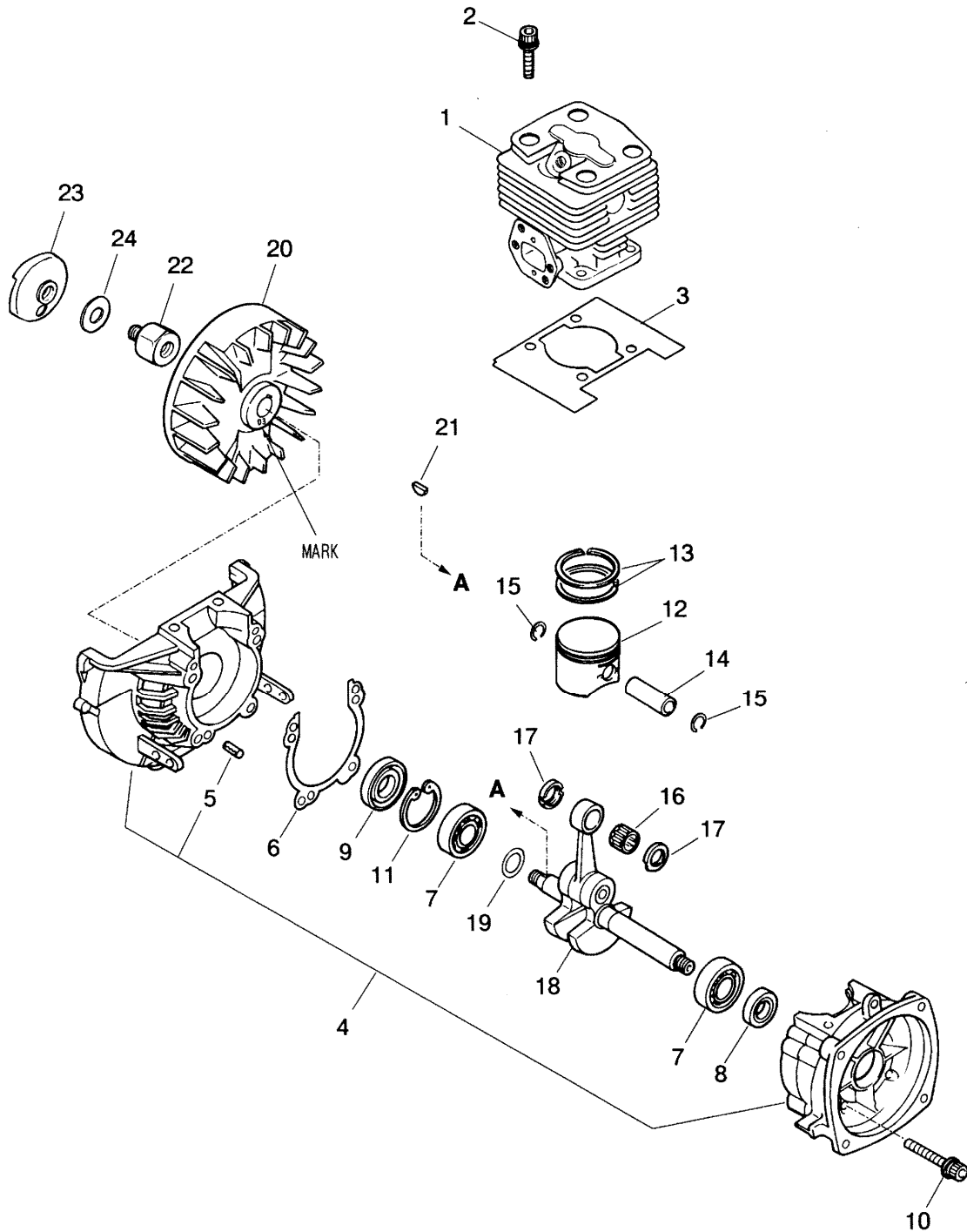


Fig. 2 ENGINE BLOCK

Key#	PART NUMBER	DESCRIPTION	NOTE	Q'TY
1	4500-12110	CYLINDER		1
2	3310-12281	BOLT	M5 × 20	4
3	T1048-13120	GASKET,cylinder		1
4	4500-21100	CLANKCASE COMP		1
5	2629-21130	• PIN		3
6	4500-21140	GASKET,case		1
7	06030-06201	BEARING		2
8	2169-21210	SEAL		1
9	1650-21220	SEAL		1
10	01252-30530	BOLT	M5 × 30	4
11	04065-03212	RING		1
12	4500-41110	PISTON		1
13	1400-41220	RING		2
14	2850-41310	PIN		1
15	1300-41320	RING		2
16	2850-41410	BEARING		1
17	2850-41510	WASHER		2
18	T1048-42000	CRANKSAFT		1
19	1140-43250	SHIM		0~1
20	T1048-71110	ROTOR		1
21	1000-43240	KEY		1
22	T1048-43230	EXTENSION		1
23	4500-75210	PULLEY		1
24	01643-20823	WASHER		1

Fig.3 ELECTRICAL DEVICE·MUFFLER·COVER

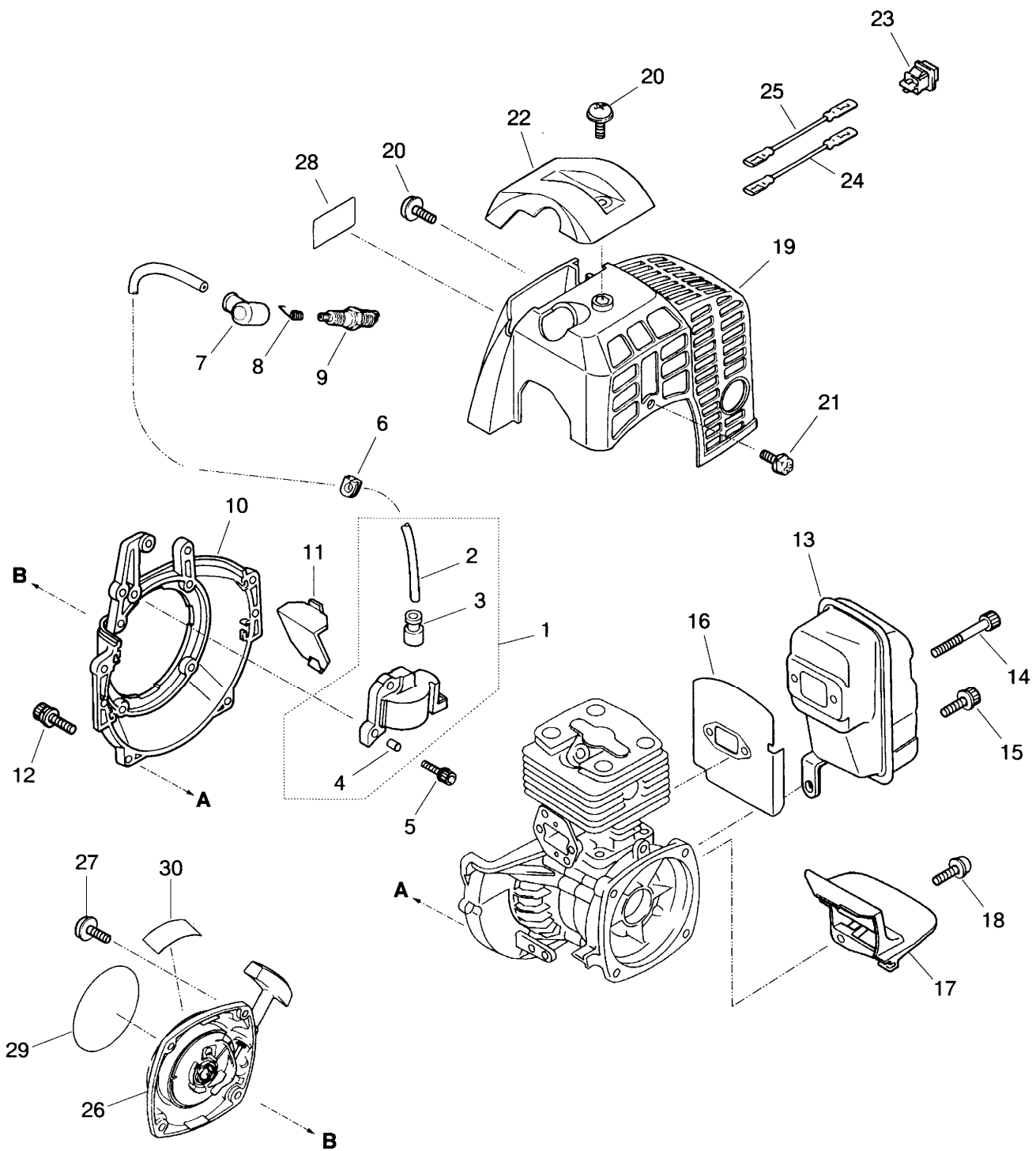


Fig.3 ELECTRICAL DEVICE • MUFFLER • COVER

Key#	PART NUMBER	DESCRIPTION	N O T E	Q'TY
1	4500-71200	COIL ASS'Y		1
2	4500-71220	• CORD		1
3	2616-71320	• CAP		1
4	3356-21130	• PIN		2
5	4500-72150	BOLT	M4 × 22	2
6	5500-72130	GROMMET		1
7	1900-72111	CAP		1
8	1900-72120	SPRING		1
9	3699-90020-10	SPARK PLUG	CHAMPION CJ6Y	1
10	4500-31110	COVER,fan		1
11	4500-31210	PLATE,volute		1
12	3310-12281	BOLT	M5 × 20	4
13	T1051-15110	MUFFLER		1
14	01252-30565	BOLT	M5 × 65	2
15	3310-31720	BOLT	M5 × 14	1
16	T1048-15210	GASKET		1
17	4500-15220	PLATE		1
18	0263-90514	SCREW	M5 × 14	1
19	T1056-32110	COVER,cylinder		1
20	4500-32120	SCREW	M5 × 12	3
21	0225-30512	BOLT	M5 × 12	1
22	4500-32210	GUARD		1
23	4500-73210	SWITCH		1
24	4500-73220	CORD		1
25	4500-73230	CORD		1
26	4500-75100	RECOIL ASS'Y		1
27	4500-75511	SCREW		4
28	1970-31150	LABEL	COMPANY LOGO	1
29	T1056-75410	LABEL	G43L	1
30	5604-91190	LABEL,caution		1

Fig.4 FUELING DEVICE

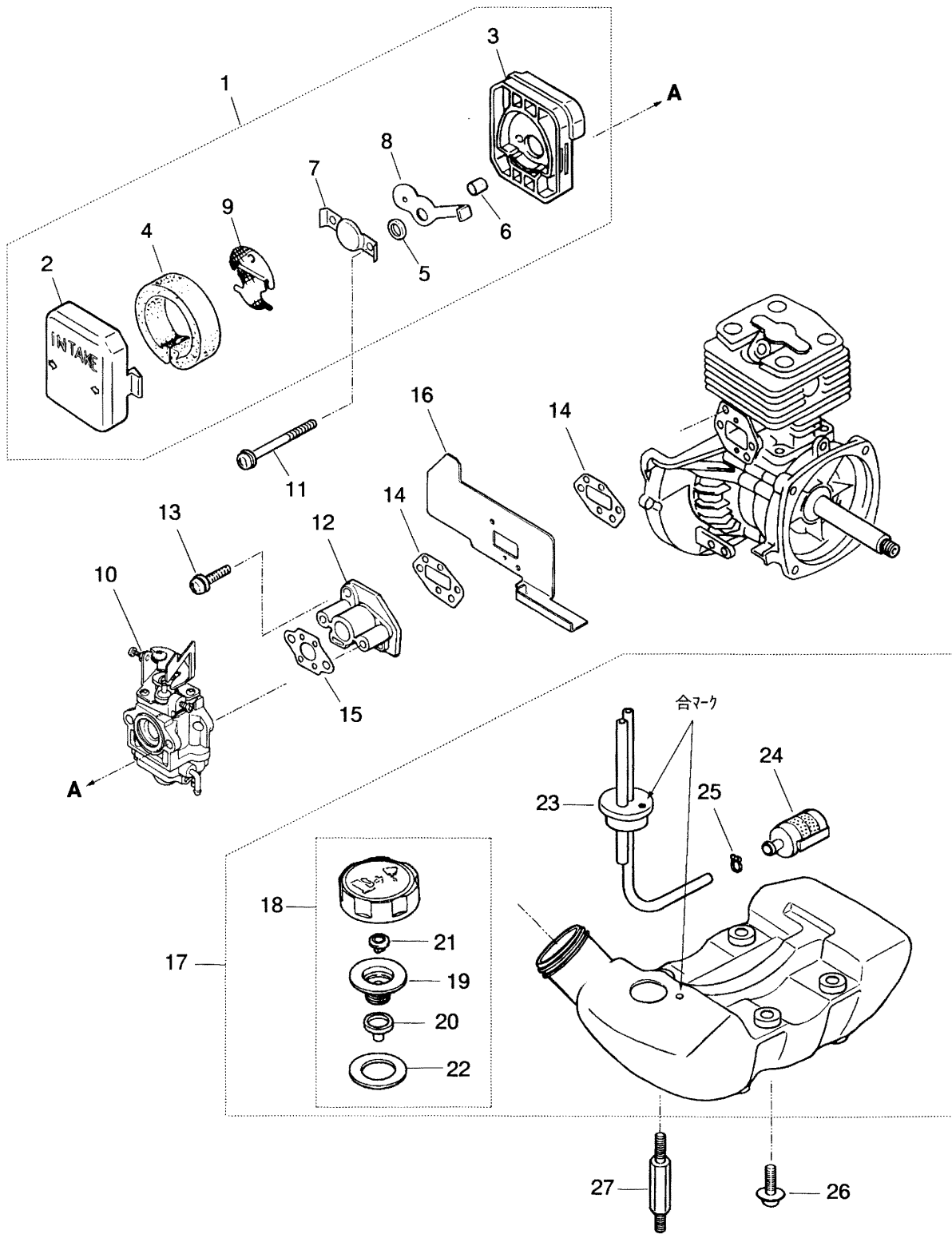


Fig. 4 FUELING DEVICE

Key#	PART NUMBER	DESCRIPTION	NOTE	Q'TY
1	T1000-82000	CLEANER ASS'Y		1
2	5730-82040	• COVER		1
3	T1000-82010	• HOUSING		1
4	1750-82020	• FILTER		1
5	1918-82160	• WASHER		1
6	5730-82060	• SLEEVE		2
7	5730-82140	• PLATE		1
8	T1000-82070	• PLATE,choke		1
9	5730-82180	• SCREEN		1
10	T1056-81000	CARBURETOR ASS'		1
11	0263-30555	SCREW	M5×55	2
12	4500-13160	INSULATOR		1
13	4500-13180	SCREW	M5×20	2
14	4500-13150	GASKET,insulator		2
15	4500-13130	GASKET,carb		1
16	T1048-32130	DEFLECTOR		1
17	T1048-85000	TANK ASS'Y		1
18	4500-85200	• CAP ASS'Y		1
19	4500-85230	•• HOLDER		1
20	5600-85240	•• CAP,holder		1
21	5600-85250	•• VALVE		1
22	4500-85220	•• PACKING		1
23	5500-85300	• PIPE COMP		1
24	3302-85400	• FILTER ASS'Y		1
25	1260-85460	• CLIP		1
26	1600-86120	SCREW	M5×22	2
27	T1048-86120	STUD		2

Fig.5 RECOIL STARTER

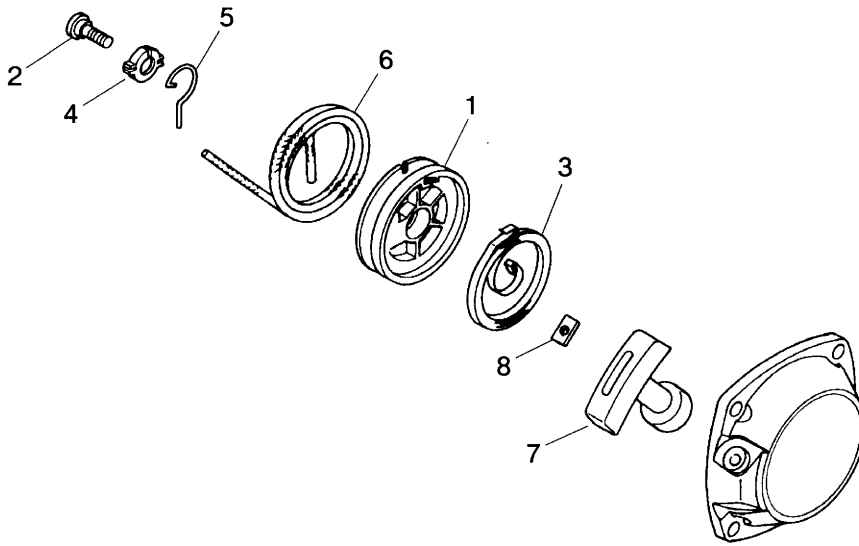


Fig.6 CARBURETOR

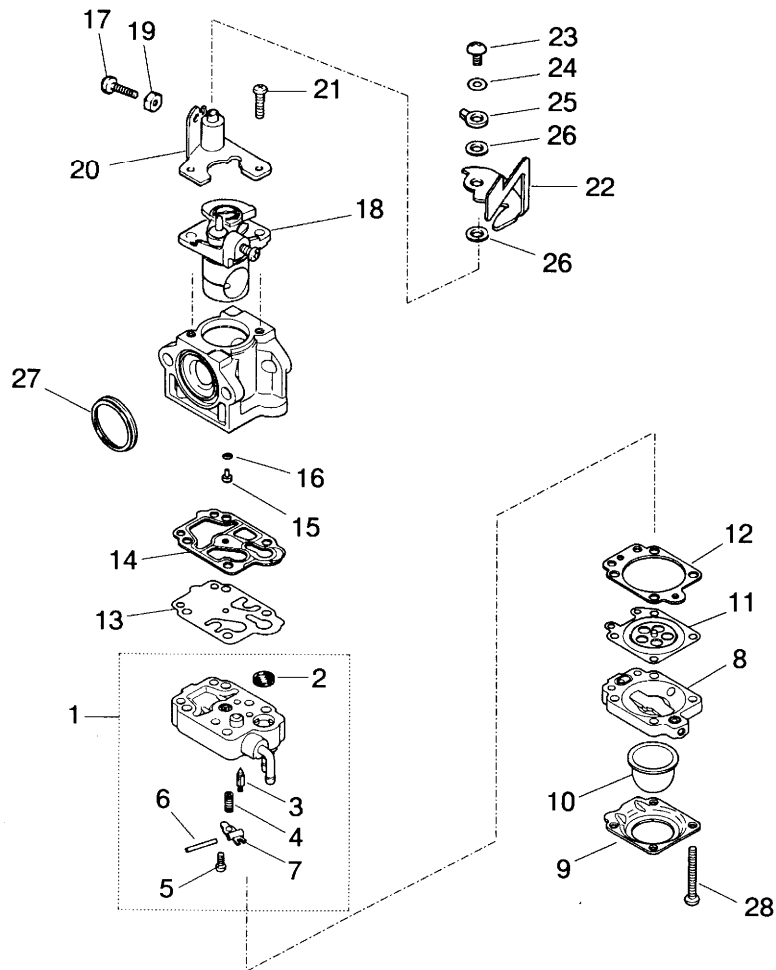


Fig. 5 RECOIL STARTER

Key#	PART NUMBER	DESCRIPTION	NOTE	Q'TY
	4500-75100	RECOIL ASS'Y		1
1	4500-75120	• REEL		1
2	4500-75150	• SCREW		1
3	1850-75130	• SPRING,spiral		1
4	4500-75180	• COLLOR		1
5	4500-75190	• ARM		1
6	4500-75160	• ROPE	ϕ 3.5 × 880	1
7	1140-75320	• KNOB		1
8	5500-75170	• PLATE,stopper		1

Fig. 6 CARBURETOR

Key#	PART NUMBER	DESCRIPTION	NOTE	Q'TY
	T1056-81000	CARBURETOR ASS'Y	No.WYJ-242	1
1	1850-81450	• BODY ASS'Y		1
2	3306-81380	•• SCREEN		1
3	3356-81310	•• VALVE		1
4	1850-81270	•• SPRING		1
5	1850-81220	•• SCREW		1
6	3310-81250	•• PIN		1
7	3310-81230	•• LEVER		1
8	1850-81490	• BODY,purge		1
9	1850-81520	• COVER,pump		1
10	1751-81510	• PUMP,primer		1
11	3310-81260	• DIAPHRAGM		1
12	1850-81470	• GASKET,diaphragm		1
13	1065-81420	• PUMP,diaphragm		1
14	1065-81410	• PUMP,gasket		1
15	T1048-81250	• JET		1
16	1751-81240	• O-RING		1
17	2201-81260	• SCREW		1
18	T1056-81150	• VALVE ASS'Y		1
19	T1048-81270	• NUT		1
20	T1048-81280	• BRACKET ASS'Y		1
21	1752-81110	• SCREW		2
22	T1048-81120	• LEVER,throttle		1
23	T1048-81130	• SCREW		1
24	T1048-81140	• WASHER		1
25	T1048-81160	• WASHER		1
26	T1048-81170	• WASHER		2
27	1881-81130	• RING,packing		1
28	1850-81530	• SCREW		4

Fig. 7 ACCESSORY

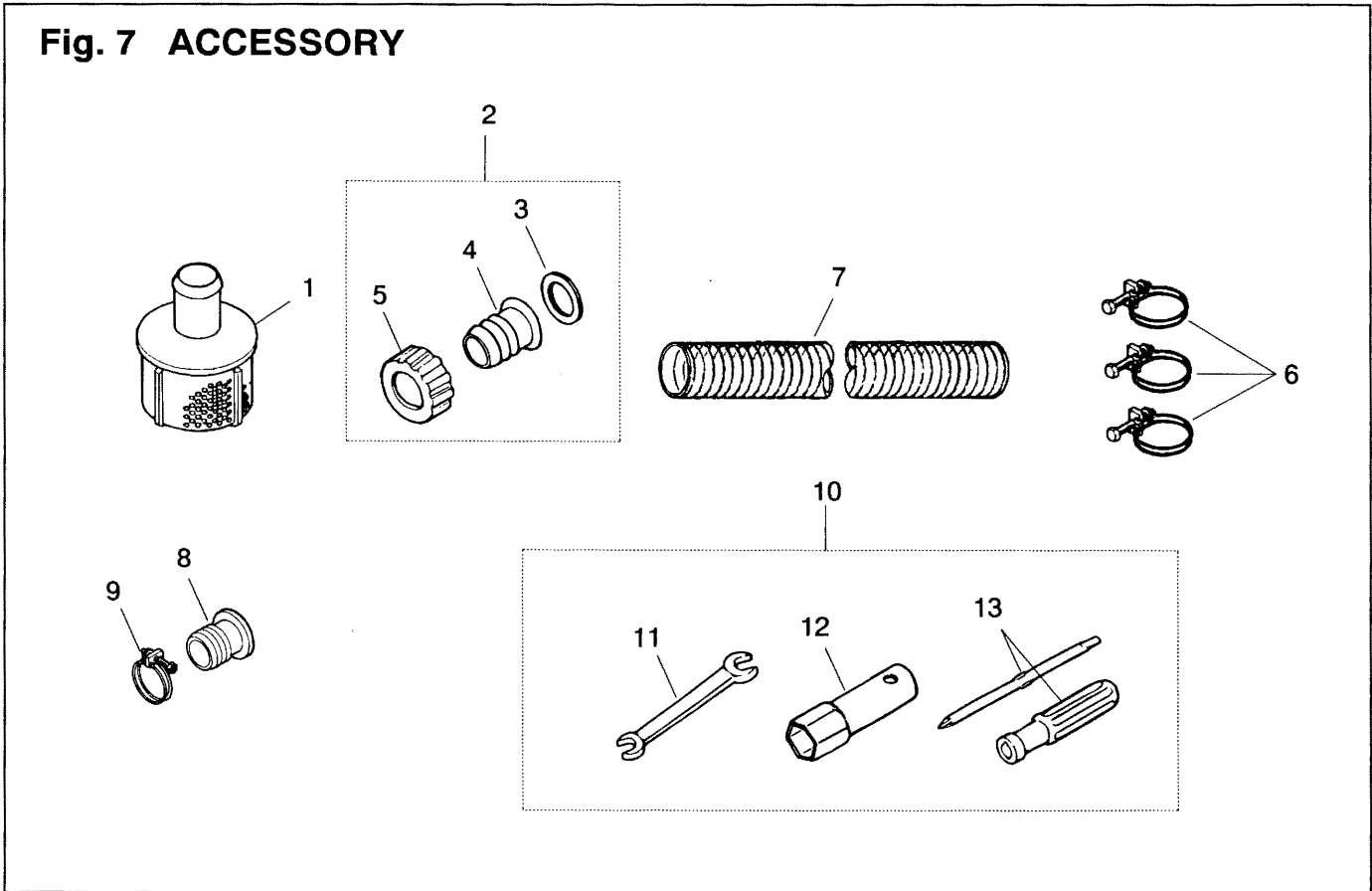


Fig. 8 OPTION

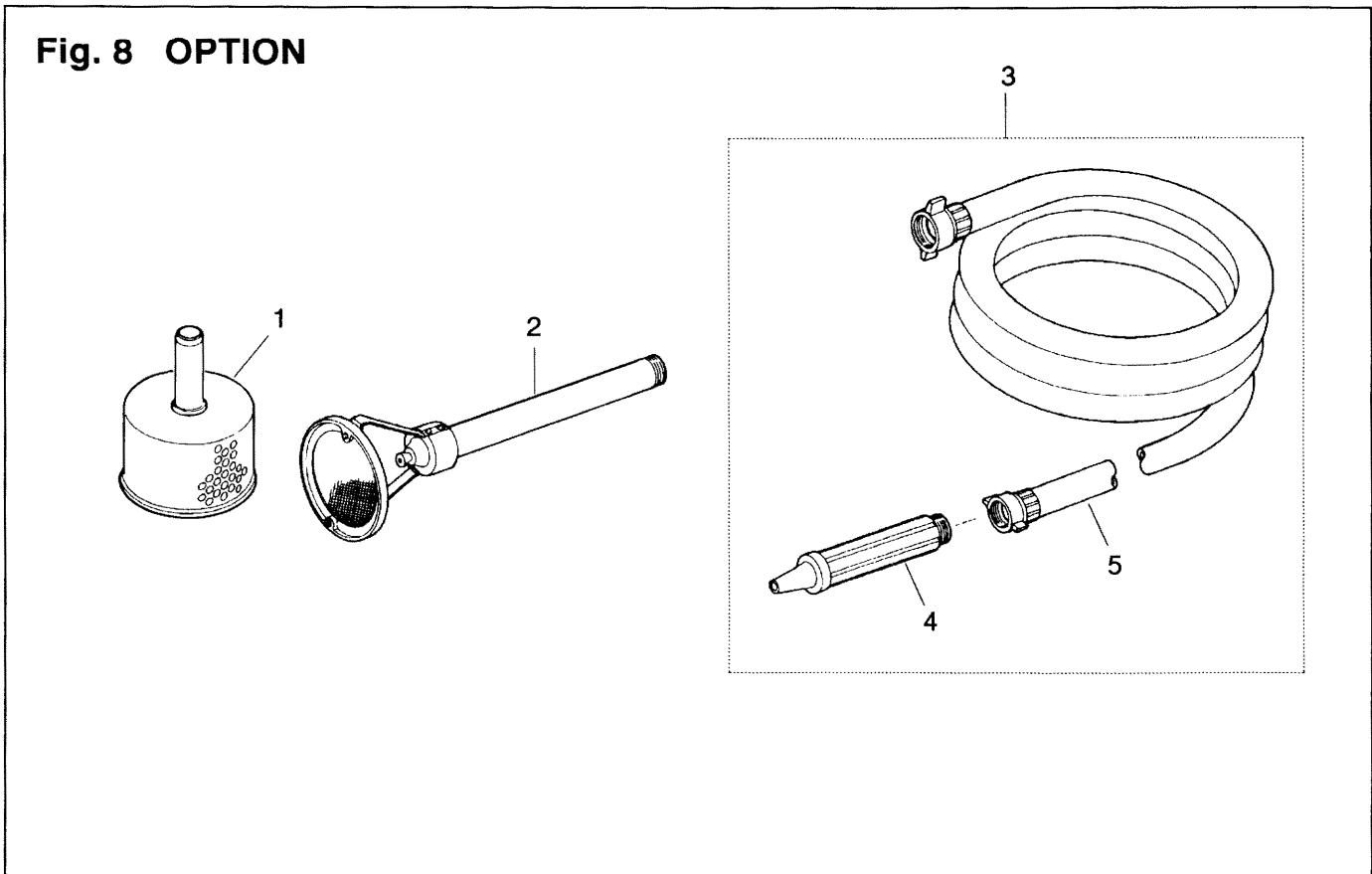


Fig. 7 ACCESSORY

Key#	PART NUMBER	DESCRIPTION	NOTE	Q'TY
1	3854-91120	STRAINER		1
2	T4904-91100	COUPLING ASS'Y		1
3	T4904-91110	• GASKET		1
4	T4904-91120	• NIPPLE		1
5	T4904-91130	• COUPLING		1
6	3854-91150	CLUMP		3
7	T4904-91210	HOSE		1
8	T4904-91240	NIPPLE		1
9	T4904-91250	CLUMP		1
10	1111-91003	TOOL SET		1
11	3540-91120	• SPANNER		1
12	1110-91320	• SOCKET		1
13	1030-91340	• DRIVER		1

Fig. 8 OPTION

Key#	PART NUMBER	DESCRIPTION	NOTE	Q'TY
1	3851-97130	STRAINER		1
2	3854-97310	SPRINKLER		1
3	3854-97200	WASHER SET		1
4	3854-97211	• NOZZLE		1
5	3854-97220	• HOSE COMP		1