

# PARTS LIST

ENGINE PUMP

PE400H

**NOTE :**

1. Use KOMATSU ZENOAH genuine parts specified in the parts list for repair and/or replacement.
2. KOMATSU ZENOAH does not warrant the machines, those which have been damaged by the use of any parts other than those specified by the company.
3. When placing orders of parts for repair and/or replacement, check if the model name and the serial number are suitable to those specified in the parts list, then use parts number described in the parts list.
4. The contents described in the parts list may change due to improvement.
5. The parts for the machine shall be supplied within ten (10) years after the machine is discontinued. [It is possible that some specific parts may be subject to change of their delivery term and list price within the limit of ten (10) years after the machine is discontinued. And it is also possible that some parts may be available even after the limit of ten (10) years.]

Fig.1 PUMP UNIT

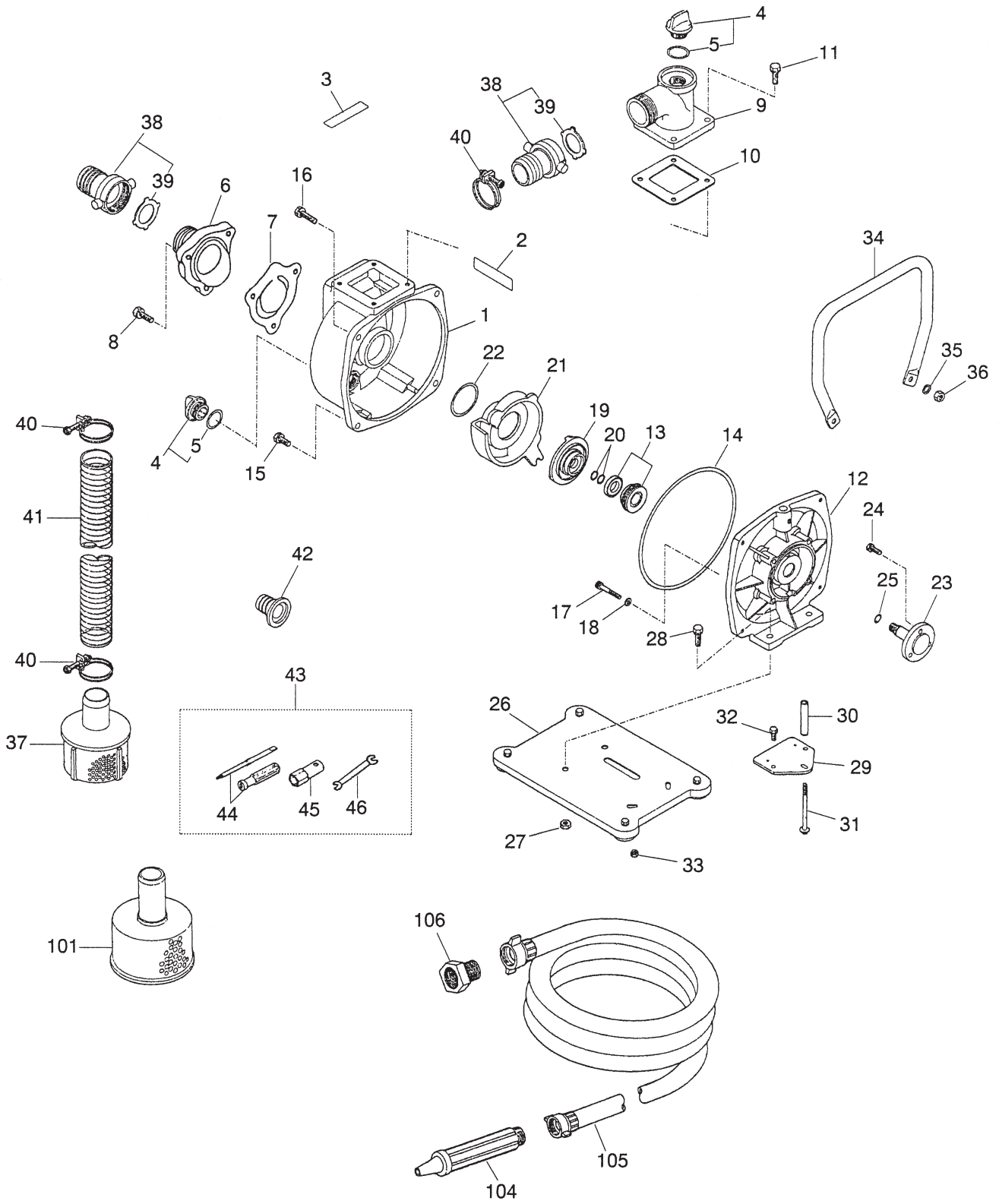


Fig.1 PUMP UNIT

Key#	PART NUMBER	DESCRIPTION	Q'TY /UNIT	NOTE	Key#	PART NUMBER	DESCRIPTION	Q'TY /UNIT	NOTE
1	3857-11111	CASING	1						
2	3857-11120	NAMER	1						
3	3854-11125	LABEL	1						
4	3857-11200	PLUG ASSY	2						
5	3857-11220	• O-RING	1						
6	3857-11311	COVER	1						
7	3857-11401	VALVE COMP	1						
8	0224-10820	BOLT	3						
9	3857-11510	BEND	1						
10	3857-11520	GASKET	1						
11	3857-30110	BOLT	4						
12	3857-12110	BRACKET	1						
13	3854-12210	SEAL	1						
14	3857-12310	O-RING	1						
15	3857-30110	BOLT	2						
16	3857-30120	BOLT	2						
17	3854-30030	BOLT	4						
18	3854-30250	WASHER	4						
19	3857-13110	IMPELLER	1						
20	3854-13120	SHIM	3						
21	3857-13210	VOLUTE CASE	1						
22	3857-13220	O-RING	1						
23	3854-13310	SHAFT	1						
24	0224-10620	BOLT	3						
25	3854-13320	O-RING	1						
26	3857-14100	BASE ASSY	1						
27	3854-30220	NUT	2						
28	3857-30110	BOLT	2						
29	3854-14220	PLATE	1						
30	3854-14210	SPACER	1						
31	3854-30040	BOLT	1						
32	3854-30010	BOLT	2						
33	3854-30210	NUT	2						
34	3857-14310	HANDLE	1						
35	01602-20825	WASHER	2						
36	3854-30220	NUT	2						
37	3857-91120	STRAINER	1						
38	3857-91200	COUPLING SET	2						
39	3857-91141	GASKET	2						
40	3857-91150	CLAMP	3						
41	3857-91160	HOSE	1						
42	3857-97140	NIPPLE	1						
43	1111-91003	TOOL SET	1						
44	1030-91340	• DRIVER	1						
45	1110-91320	• SOCKET	1						
46	3540-91120	• SPANNER	1						
101	3851-97130	STRAINER	1						
104	3854-97211	• NOZZLE	1						
105	3854-97220	• HOSE	1						
106	3857-97230	• JOINT	1						

Fig.2 ENGINE GROUP

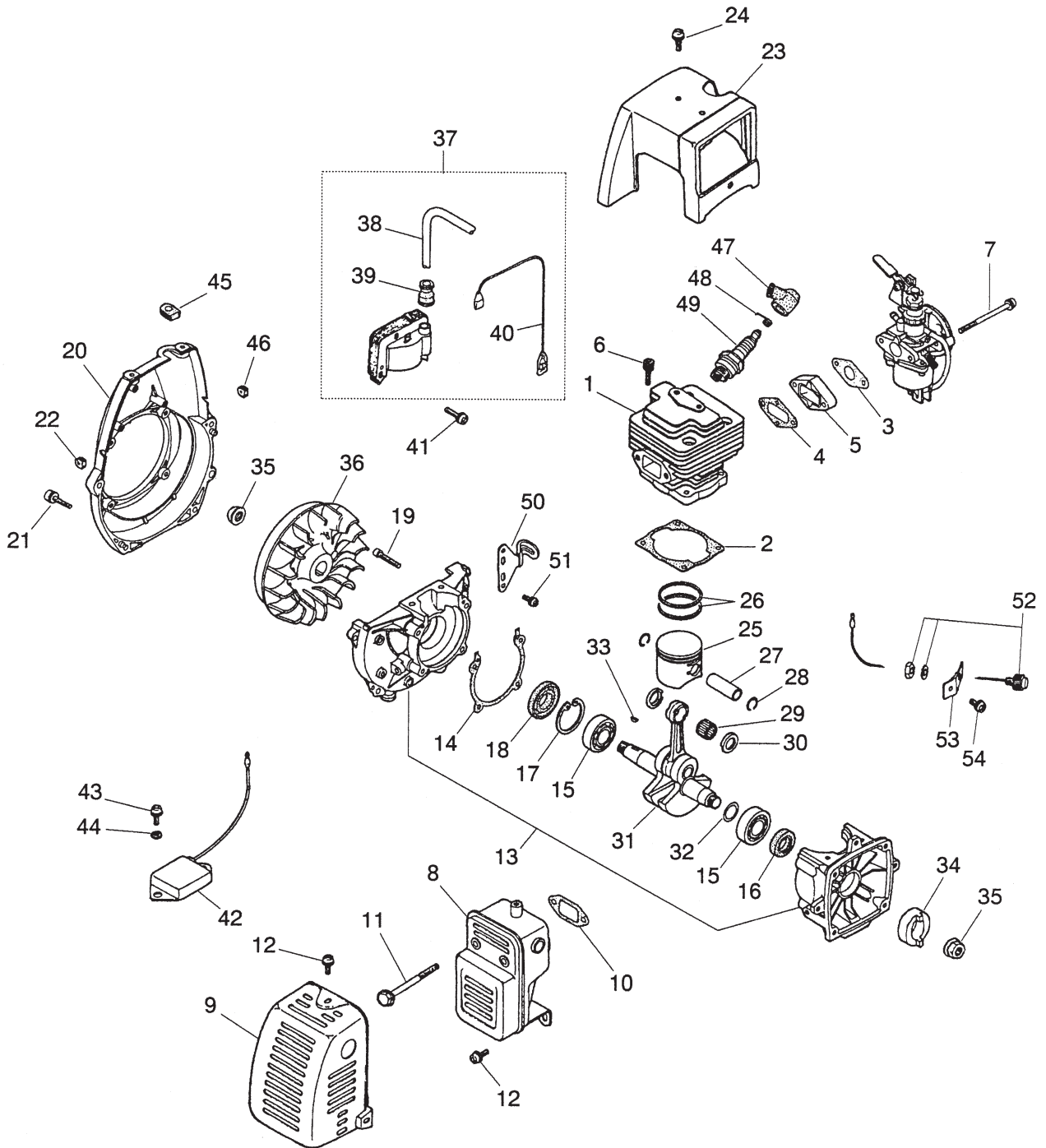


Fig.2 ENGINE GROUP

Key#	PART NUMBER	DESCRIPTION	Q'TY /UNIT	NOTE	Key#	PART NUMBER	DESCRIPTION	Q'TY /UNIT	NOTE
1	1400-12113	CYLINDER	1		49	3699-90280	SPARKPLUG NGK BPMR6A	1	
2	1400-13122	GASKET, CYLINDER	1		50	1400-72310	CLAMP	1	
3	1400-13131	GASKET, CARBURETOR	1		51	0260-20508	SCREW	2	M5 x L8
4	1400-13151	GASKET, INSULATOR	1		52	1120-72201	SWITCH ASSY	1	
5	1400-13160	INSULATOR	1		53	1402-72250	PLATE	1	
6	1850-12130	BOLT	4	M5 x L22	54	0263-90512	SCREW	1	M5 x L12
7	0260-30560	SCREW	2	M5 x L60					
8	1400-15111	MUFFLER	1						
9	1400-15410	COVER, MUFFLER	1						
10	1400-13143	GASKET, MUFFLER	1						
11	1400-15150	BOLT	2	M6 x L65					
12	0263-90512	SCREW	4	M5 x L12					
13	1400-21100	CRANKCASE COMP	1						
14	1400-21141	GASKET	1						
15	06030-06202	BEARING	2						
16	1520-21220	OIL SEAL	1						
17	04065-03515	SNAP RING	1	ø 35					
18	1400-21220	SEAL	1						
19	01252-30530	BOLT	4	M5 x L30					
20	1400-31113	COVER, FAN	1						
21	3310-12281	BOLT	4	M5 x L20					
22	1100-72120	GROMMET	1						
23	1412-32110	COVER, CYLINDER	1						
24	0263-90512	SCREW	2	M5 x L12					
25	1400-41111	PISTON	1						
26	1400-41220	RING	2						
27	1400-41310	PIN	1						
28	3350-41320	RING	2						
29	1400-41410	BEARING	1						
30	2616-41510	WASHER	2						
31	1400-42002	CRANKECASE COMP	1						
32	1300-42410	SHIM	0/1	t 0.1					
33	1000-43240	KEY	1						
34	1487-75211	PULLEY	1						
35	1400-43230	NUT	2						
36	1412-71110	ROTOR	1						
37	1650-71201	COIL ASSY	1						
38	1400-71220	• CORD	1						
39	1400-71230	• CAP	1						
40	1650-71241	• CORD	1						
41	0263-90520	SCREW	3	M5 x L20					
42	1664-71310	UNIT	1						
43	0260-00405	SCREW	2	M4 x L5					
44	01641-20405	WASHER	2						
45	3320-72211	GROMMET	1						
46	1100-72120	GROMMET	1						
47	1400-72111	CAP	1						
48	1400-72121	SPRING	1						

Fig.3 ENGINE GROUP

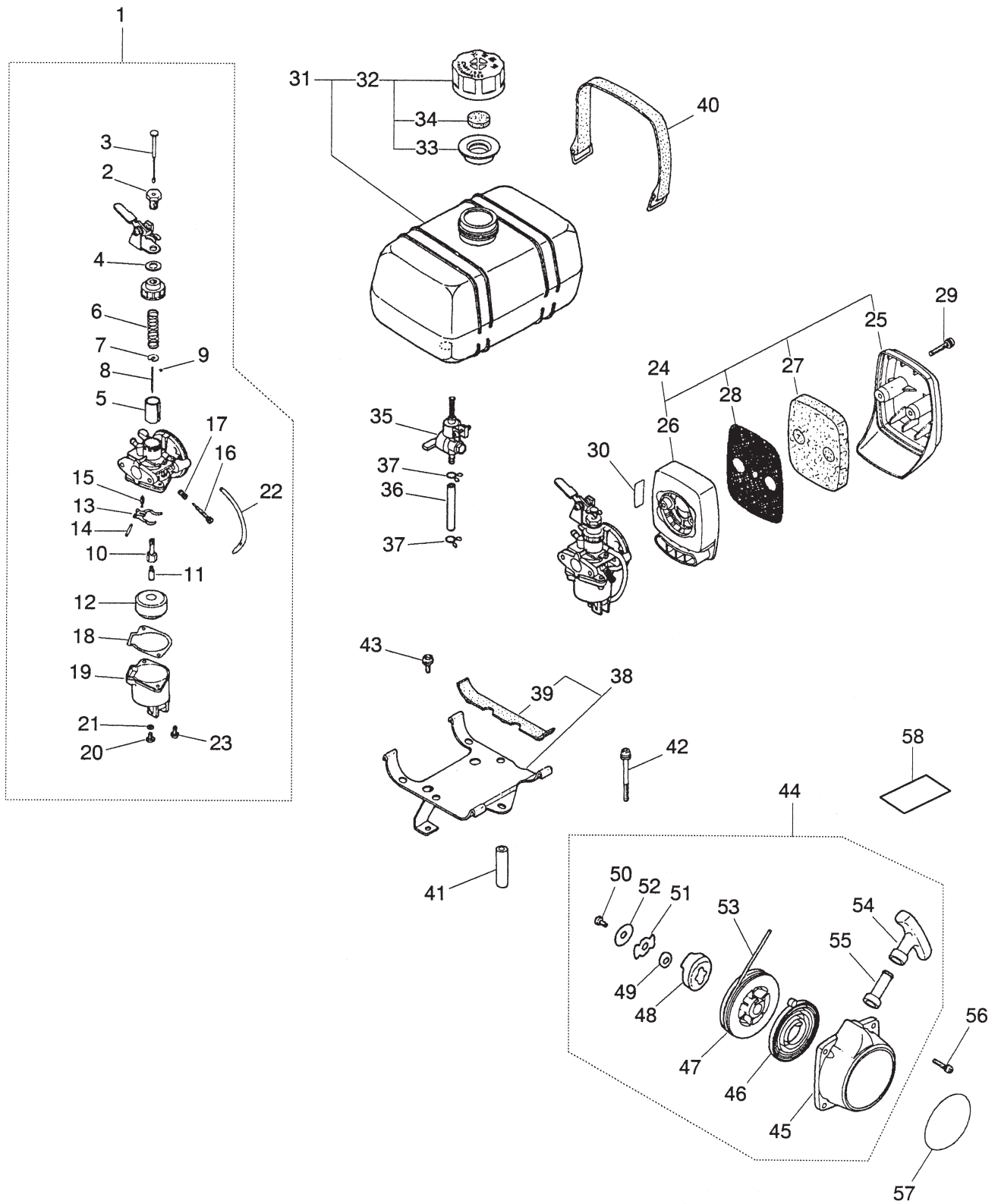


Fig.3 ENGINE GROUP

Key#	PART NUMBER	DESCRIPTION	Q'TY /UNIT	NOTE	Key#	PART NUMBER	DESCRIPTION	Q'TY /UNIT	NOTE
1	1412-81000	CARBURETOR ASSY	1		49	1861-75150	• WASHER	1	
2	1664-81410	• BOLT	1		50	1483-75270	• SCREW	1	
3	1664-81430	• WIRE ASSEMBRY	1		51	1487-75160	• RETAINER	1	
4	1664-81440	• WASHER	1		52	1487-75170	• WASHER	1	
5	1400-81150	• VALVE, THROTTLE	1		53	1400-75160	• ROPE	1	
6	1335-81060	• SPRING	1		54	1490-75181	• KNOB	1	
7	1335-81070	• RECEIVE	1		55	1410-75510	• ADAPTER	1	
8	1400-81210	• NEEDLE, JET	1		56	0263-90520	SCREW	4	M5 x L20
9	1030-81000-16	• CLIP	1		57	1400-75412	LABEL, RECOIL	1	
10	1400-81230	• JET, NEEDLE	1	NJ $\phi$ 2.097	58	5604-91190	LABEL, CAUTION	1	
11	1412-81240	• JET, MAIN	1	#74					
12	1335-81180	• FLOAT	1						
13	1400-81340	• HINGE	1						
14	1400-81350	• PIN	1						
15	1400-81360	• VALVE	1						
16	1650-81251	• SCREW, IDLEADJUST	1						
17	1650-81260	• SPRING	1						
18	1400-81320	• PACKING	1						
19	1400-81310	• CHAMBER	1						
20	1400-81650	• SCREW	1						
21	1400-81660	• PACKING	1						
22	1650-81710	• PIPE	1						
23	0260-10412	• SCREW	2	M4 x L12					
24	1400-82002	CLEANER ASSY	1						
25	1400-82113	• BODY	1						
26	1400-82121	• COVER	1						
27	1418-82130	• ELEMENT	1						
28	1400-82141	• SCREEN	1						
29	0260-30422	SCREW	2	M4 x L22					
30	1133-82060	LABEL	1						
31	1542-85001	TANK ASSY	1						
32	1542-85201	• CAP COMP	1						
33	1542-85220	•• CAP, INNER	1						
34	1542-85230	•• ELEMENT	1						
35	1087-85400	COCK ASSY	1						
36	1000-05060	TUBE	1						
37	1063-86130	CLIP	2						
38	1664-85500	BRACKET, ASSY	1						
39	1375-86230	• CUSSION	2						
40	1535-85520	BAND	2						
41	1664-85530	SPACER	1						
42	0260-30560	SCREW	1	M5 x L60					
43	0263-90512	SCREW	2	M5 x L12					
44	1410-75101	RECOIL ASSY	1						
45	1487-75110	• CASE	1						
46	1180-75221	• SPRING	1						
47	1487-75120	• REEL	1						
48	1487-75140	• DOG	1						



# **KOMATSU ZENOA CO.**

1-9 Minamidai, Kawagoe, Saitama, 350-1192 Japan