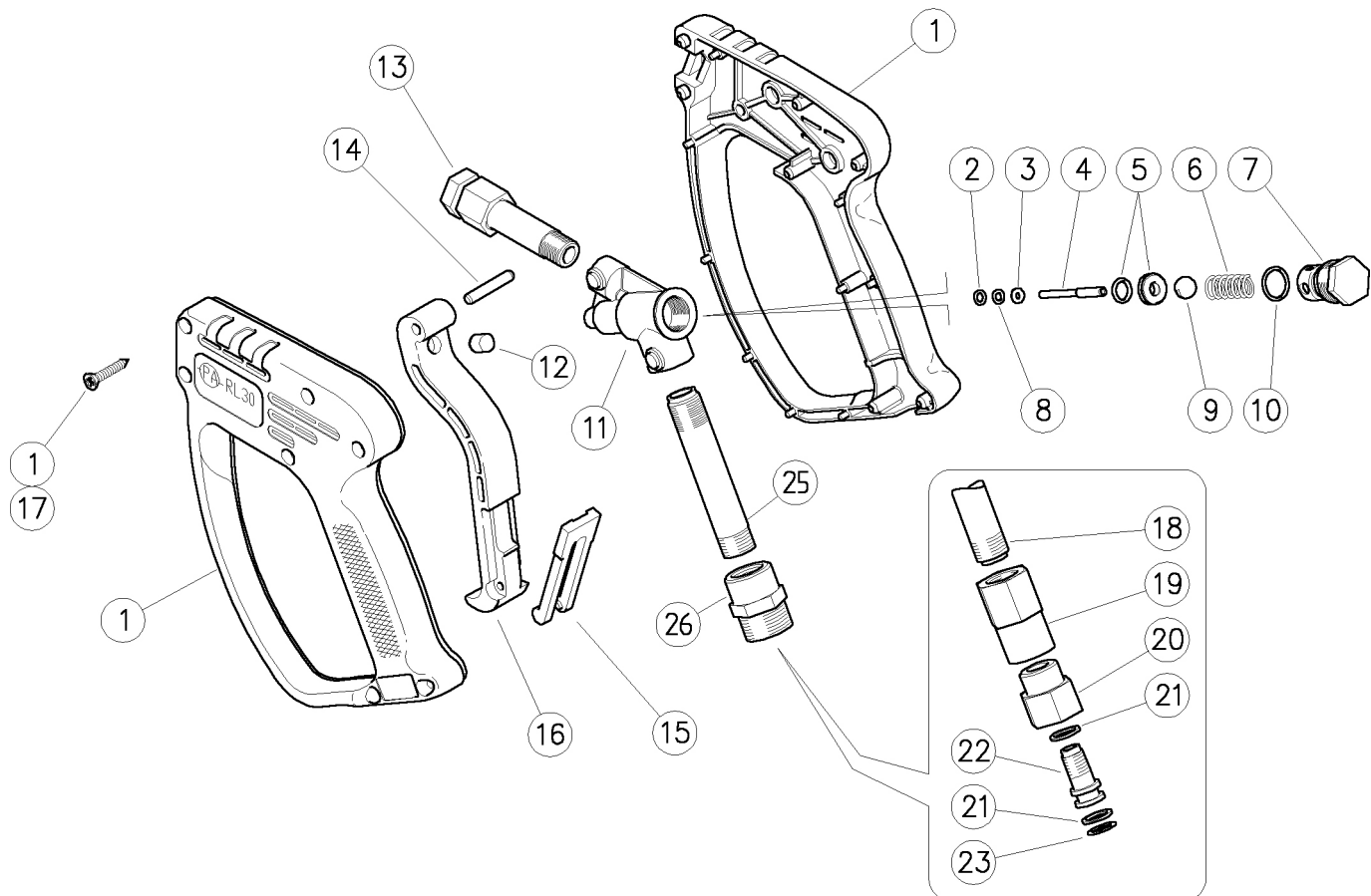


30.2500.00 RL30 Pistole G3/8IG-G1/4IG
 30.2500.20 RL30 Pistole A M22-G1/4 IG
 30.2500.30 RL30 Pistole G3/8AG-G1/4IG
 30.2500.50 RL30 Pistole 3/8IG-1/4IG Npt

30.2511.00 RL30 Pistole+sw.6 G3/8IG-G1/4IG
 30.2512.50 RL30 Pistole+Frostschutz 3/8IG-1/4IG Npt
 30.2515.00 RL30 Pistole G3/8IG-G1/4IG +Keramikkugel



Pos.	Bestell-Nr.	Beschreibung	Meng	K1	K2	K3	K4
1	30.2501.24	Kasten-Kit -RL30 +Schrauben, Ed/st.	1				1
2	10.4018.00	Stützring, 3,2x7,5x1,2 mm	1	•	•	•	10
3	14.3511.00	Dichtscheibe, 3,2x7x0,5 mm Ed/st.	1				10
4	30.2516.51	Kolben, 3 mm Ed/st.	1	•	•	•	10
5	30.1708.20	Sitz, 6mm Ed/st+O-Ring 1,78mm NBR85	1	•	•		10
5	30.0716.20	Sitz+F/schzt.,5,8mm+O-Ring (I.1,1) (1)	1			•	10
6	30.2596.51	Feder, 1,5x6,1x24 mm Ed/st.	1				10
7	30.2595.31	Federstößel, M16x1 Mess.	1				10
8	10.3165.00	O-Ring, 2,62x2,84 mm Vi 70	1	•	•	•	10
9	14.7448.00	Kugel, 5/16" Ed/st.	1	•	•	•	10
9	14.7448.78	Kugel, 5/16" Keramik (2)	1				10
10	10.3020.02	O-Ring, 1,5x10 mm Ni 85	1	•	•	•	10
11	30.2597.35	Gehäuse -RL30, Mess.	1				5
12	30.0675.84	Anschlagbolzen, 8x7,1mm PA	1				10
13	30.2006.35	Vorderrohr, G1/4IG 72 mm Mess.	1				5
13	30.2008.35	Vorderrohr, 1/4IG Npt 72 mm Mess. (3)	1				10
14	30.2517.31	Zylinderstift, 5x27,5 mm Mess.	1				10

Pos.	Bestell-Nr.	Beschreibung	Meng	K1	K2	K3	K4
15	30.1510.84	Sicherung, PA rot	1				10
15	30.1515.84	Sicherung, PA blau (1)	1				10
15	30.1516.84	Sicherung, schwarz (2)	1				10
16	30.2506.84	Hebel -RL31, PA schwarz	1				10
17	16.3077.00	S/schneid.Schraube, DIN7981 3,5x18 mm	7				10
18	30.2547.36	Rohr, M15 AG/AG 103mm Mess. (4)	1				5
19	30.2546.31	Verbind., M15IG-M10x1IG Mess. (4)	1				5
20	30.2019.31	Anschl., G3/8IG Mess. (4)	1				5
21	10.4010.01	Stützring, offn. 10,2x13,9x1,2 mm (4)	2		•		50
22	30.2017.51	Zapfen, SW M10x1 AG Ed/st. (4)	1				5
23	10.3109.95	O-Ring, 2,4x9,3 mm Vi 70 (4)	1		•		25
25	30.1011.36	Rohr, M15 127 mm Mess.	1				5
26	30.2523.31	Anschl., G3/8 IG Mess.	1				5
26	30.2525.31	Anschl., A M22x1,5 Mess. (5)	1				5
26	30.2524.31	Anschl., G3/8AG Mess. (6)	1				5
26	30.1012.31	Anschl., - 3/8Npt IG Mess. (3)	1				1

Kit	Bestell-Nr.	Beschreibung	Meng
K1	30.2559.24	Ersatz-Kit -RL30, 6(7)x1Stk.	1
K2	30.2519.24	Ersatz-Kit -RL30, 8(9)x1Stk.	1
K3	30.2545.24	Ersatz-Kit -RL30, 6(7)x1Stk.	1
K4	30.2563.24	Ersatz-Kit -RL30+Keram/kugel, 6(7)x1Stk.	1

(1) 30.2512.50 (2) 30.2515.00 (3) 30.2500.50 (4) 30.2511.00 (5) 30.2500.20 (6) 30.2500.30