

# TXV pumps range with constant torque control



## ADVANTAGES OF THE CONSTANT TORQUE REGULATION

- ▶ TXV pumps with constant torque control which ensures regulation to maintain Pressure X Flow = Constant
- ▶ Control device available for the entire range of TXV pumps from 40 to 150 cc/rev., including the TXV130 model with through shaft
- ▶ Maximum torque between 90 and 700 Nm depending on models
- ▶ Torque/power adjustment screw

### ▶ Characteristics

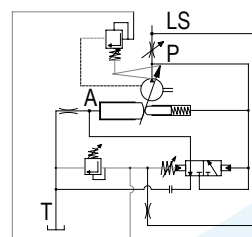
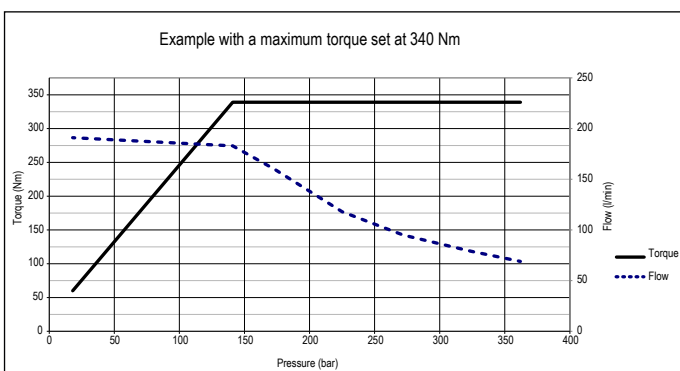
Pump	Reference	Direction of rotation	Max. displacement <sup>(1)</sup> (cc)	Max. operating pressure (bar)	Max. peak pressure (intermittent 5%) (bar)	Max. torque range <sup>(3)</sup> (daN.m)	Max. speed at full displacement <sup>(2)</sup> (rpm)	Max. speed in stand-by mode (rpm)	Weight (kg)	Overhang torque (N.m)
TXV 40	P002685	SH	40	400	420	9 to 43.5	3000	3000	25.8	34
	P002686	SIH								
TXV 60	P002673	SH	60	400	420	9 to 43.5	2600	3000	25.8	34
	P002674	SIH								
TXV 75	P002683	SH	75	400	420	9 to 43.5	2000	3000	25.8	34
	P002684	SIH								
TXV 92	P002681	SH	92	400	420	9 to 43.5	1900	3000	25.8	34
	P002682	SIH								
TXV 120	P002441	SH	120	380	400	12 to 56.5	2100	3000	25.8	34
	P002442	SIH								
TXV 130	P002763	SH	130	365	380	13 to 60.5	2100	3000	28	38.6
	P002764	SIH								
TXV 150	P002765	SH	150	310	330	15 to 70	2000	3000	28.2	38.6
	P002766	SIH								
TXV 130 (through shaft version)	P002741	SH	130	365	380	13 to 60.5	1900	3000	31.1	47.4
	P002743	SIH								

(1) The pumps can be set for a lower maximum displacement.

(2) Higher speed possible - at full displacement - depending on flow required : please contact Customer Service.

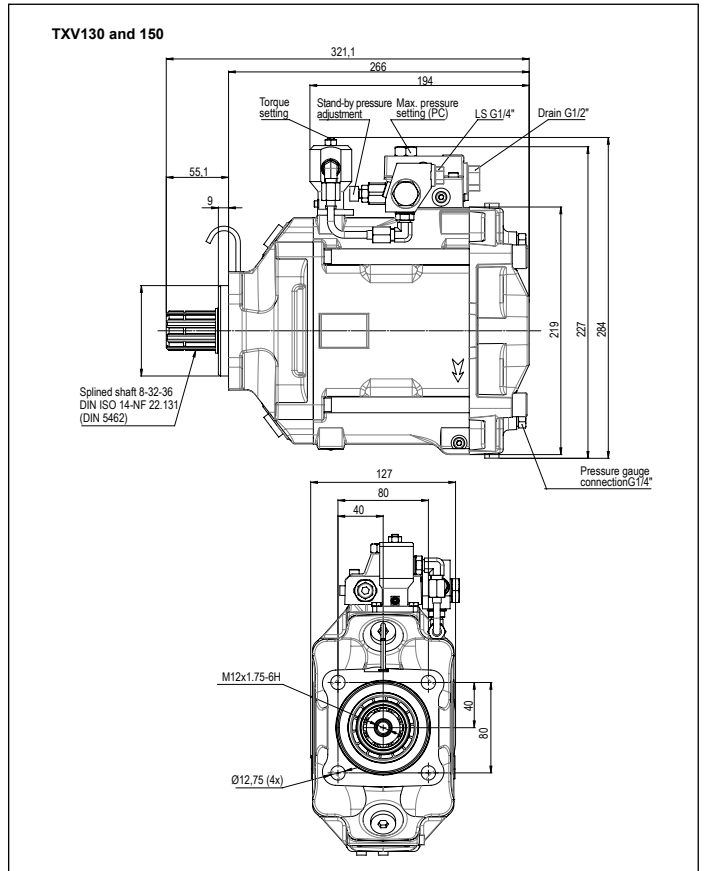
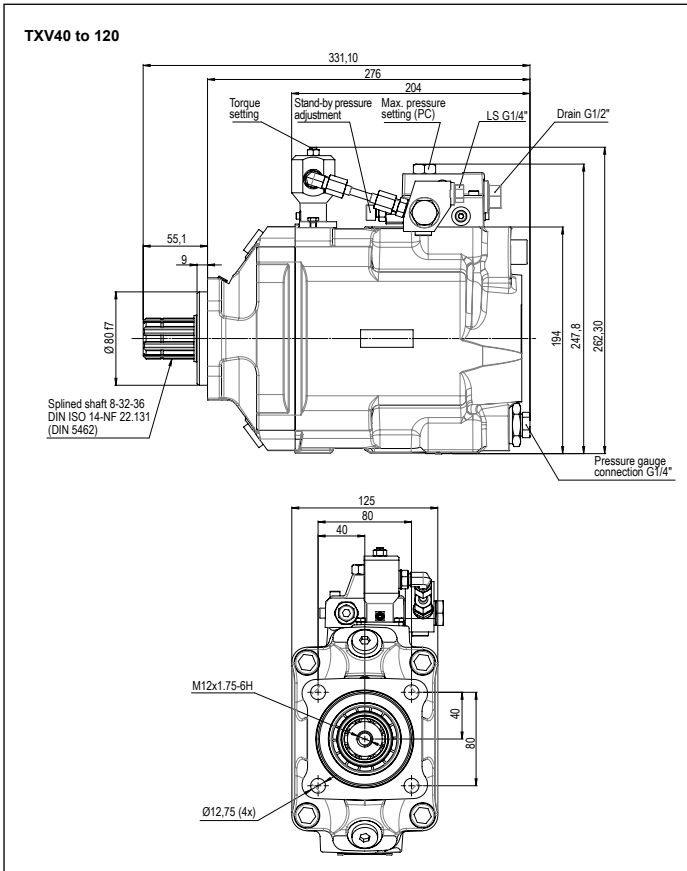
(3) Required torque setting to be specified on order.

### ▶ Torque and flow as a function of pressure : ▶ Constant torque control device :



# Dimensions

## ► standard pumps dimensions :



## ► TXV130 model with through shaft :

