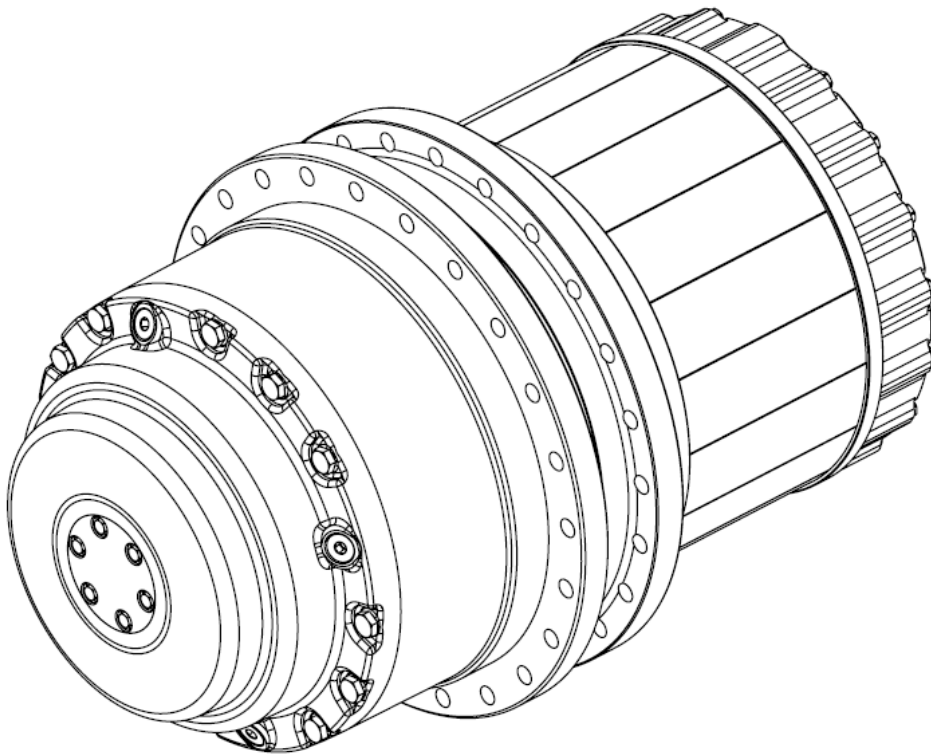


I&W

Electric Final Drive M350

Datasheet
v2021.06



Performance Characteristics

General Information

Ambient Temperature	-20°C to 25°C*
Insulation Class EN 60034-1	F(155°C)
Enclosure Type DIN EN 60529	IP67 IP69K Optional

*Derating for higher Temperatures

Drive

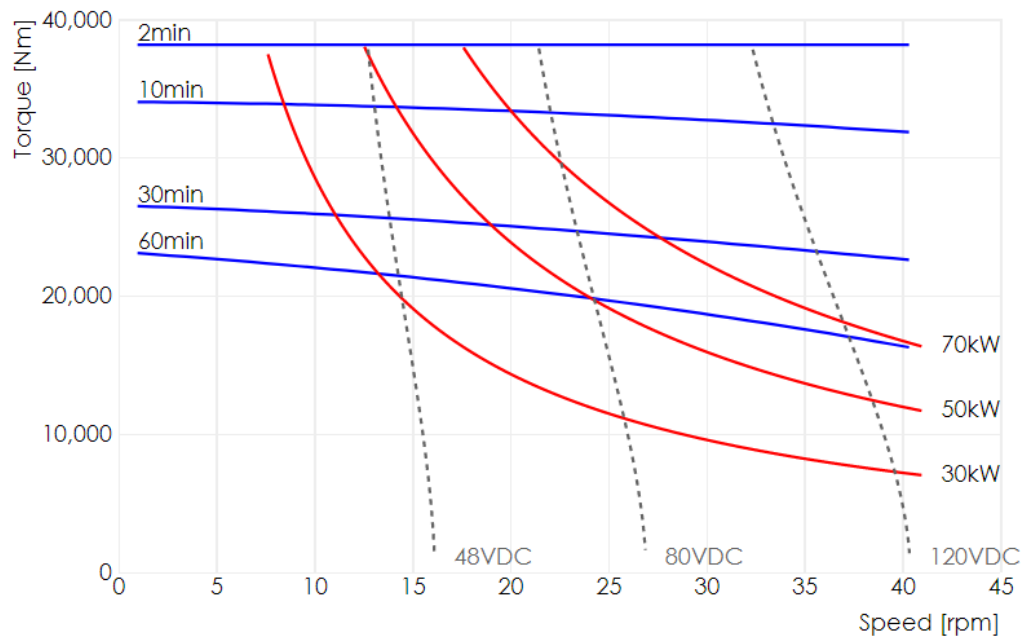
Engine Type	Permanentmagnet-Synchronous
Number of Poles	12
Reducer Ratio	101.8
Weight	263kg
Peak Torque (flange)*	38000 Nm
Peak Current (rms)*	1131 Arms
S2 Rated Speed	20 rpm
S2 60min. Torque (flange)	20500 Nm
S2 60min. Current (rms)	642 Arms
Maximum Speed @ 400VAC	20 1/min
Torque Constant @ motor shaft	0.33 Nm / Arms
Back EMF Constant (Line to Line, peak, rpm @ motor shaft)	28.3 Vrms / 1000 min ⁻¹
Electrical Resistance (Rs) @ 25°C	0.5 mΩ
Electrical Inductance @ 1kHz (Lq/Ld)	17μH / 15μH

Mechanical Brake

Type	Currentless Brake
Nominal Voltage	80VDC
Typ. Braking Torque*	38000 Nm
Typ. Activation Voltage	80V
Typ. Hold Voltage	40V

Performance

- ■ ■ Speed limit at DC-link Voltage without field weakening



Feedback

Temperature Sensor

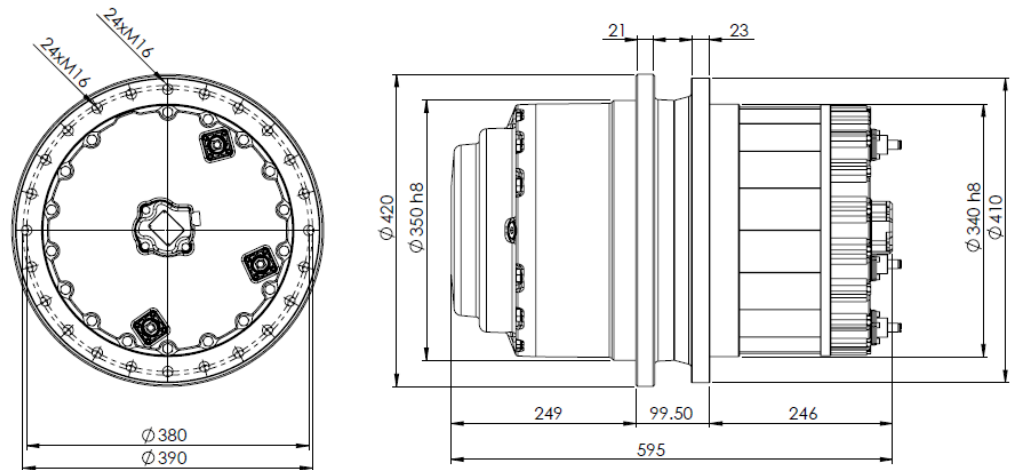
Sensor-Type	PT 1000
-------------	---------

Angle Sensor

Sensor-Type	SIN/COS-Encoder
Power Supply (V_{dd})	5V +/-5%
Power Consumption	20mA
Output Amplitude	1.1 +/-0.2V _{pp}
Output Offset	$V_{dd}/2$ +/- 5mV
Internal serial Impedance	720Ω

Dimensions and Load

Dimensions

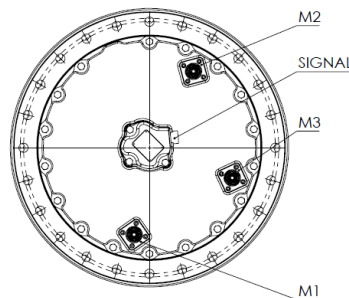


Bearing Capacity

C	2x315kN
C ₀	2x570kN

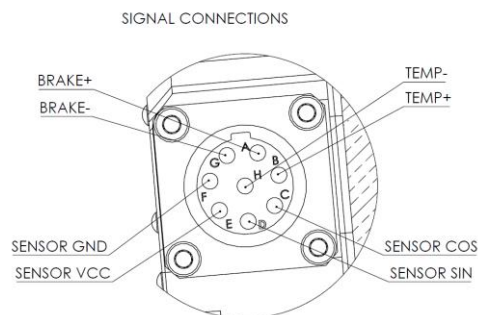
Connections

Power connections



Mating Connector	AMPHENOL SURLOCK PLUS/ RADLOCK
------------------	-----------------------------------

Signal Connections (SIN/COS)



Mating Connector	Amphenol Ecomate RM
Connector	RT06128SNH
Backshell	RT0L-12CG-S1 (6-10.5mm cable)
Socket (8x)	SS20M1F (0.34-0.5 mm ²)
Included	No